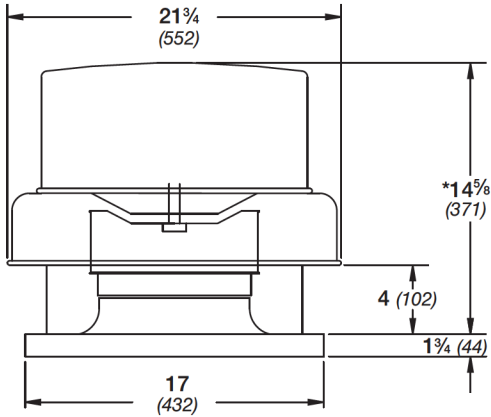
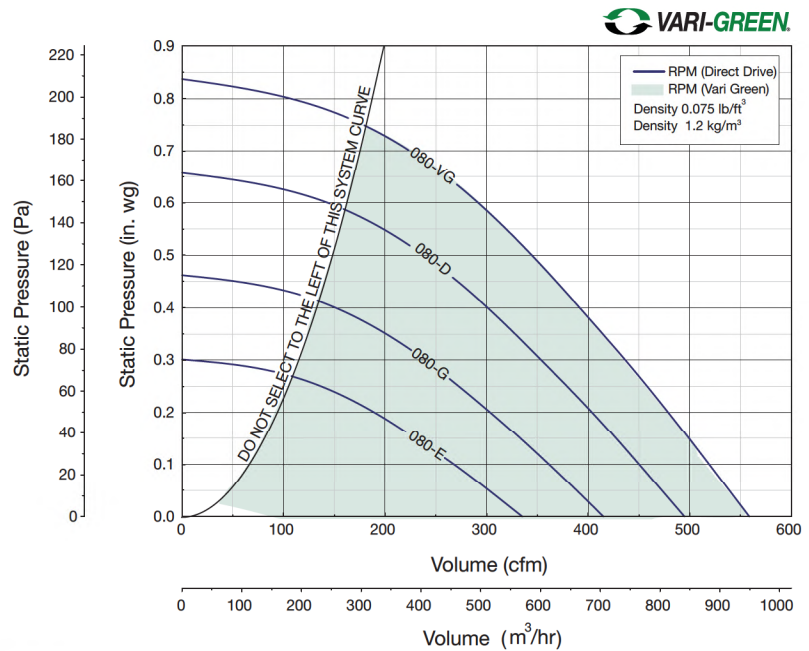


Roof Downblast Exhaust Direct Drive G-080



Damper Size = 10 x 10 (254 x 254)
 Roof Opening = 12 1/2 x 12 1/2 (318 x 318)
 Shroud Thickness = 0.064 (1.6)
 Motor Cover Thickness = 0.040 (1.0)
 Curb Cap Thickness = 0.064 (1.6)
 ^Approximate Unit Weight = 19 lbs. (9 kg)

All dimensions in inches (millimeters). *May be greater depending on motor.
 ^Weight shown is largest cataloged Open Drip-Proof motor.



Direct Drive RPM
 E-1050 RPM G-1300 RPM D-1550 RPM VG-1725 RPM

Direct Drive	Motor HP	Fan RPM	Static Pressure in Inches wg										
			0	0.1	0.125	0.15	0.2	0.25	0.3	0.375	0.5	0.625	
O80													
VARI-GREEN	E-1/40	1050	CFM	335	268	249	230	189	134				
			BHP	0.01	0.02	0.02	0.02	0.02	0.02				
			Sones	3.8	3.7	3.6	3.7	3.9	4.2				
	G-1/30	1300	CFM	415	361	348	333	303	272	239	174		
			BHP	0.02	0.03	0.03	0.03	0.03	0.03	0.03	0.03		
			Sones	5.4	5.4	5.4	5.4	5.4	5.5	5.6	5.9		
	D-1/20	1550	CFM	495	450	439	427	404	379	354	314	237	
			BHP	0.04	0.04	0.04	0.05	0.05	0.05	0.05	0.06	0.06	
			Sones	7.3	7.3	7.3	7.3	7.3	7.2	7.3	7.3	7.6	
	1725	CFM	551	511	501	490	469	449	426	392	332	260	
		BHP	0.05	0.06	0.06	0.06	0.06	0.06	0.07	0.07	0.08	0.08	
		Sones	9.1	9.1	9.1	9.1	9	8.9	8.9	8.9	9.1	9.4	

Performance certified is for installation type A: Free inlet, Free outlet. Power rating (BHP) does not include transmission losses. Performance ratings include the effects of a birdscreen. The sound ratings shown are loudness values in hemispherical sones at 5 ft. (1.5 m) in a hemispherical free field calculated per AMCA Standard 301. Values shown are for installation type A: free inlet hemispherical sone levels.