

18. 11/18/21 - J.A. - Revisions of Structural Steel Detail - 1566 Marina Dr. Slidell, LA 70458 - 504-649-5832 - www.dammoneengineering.com - info@dammoneengineering.com

GENERAL NOTES

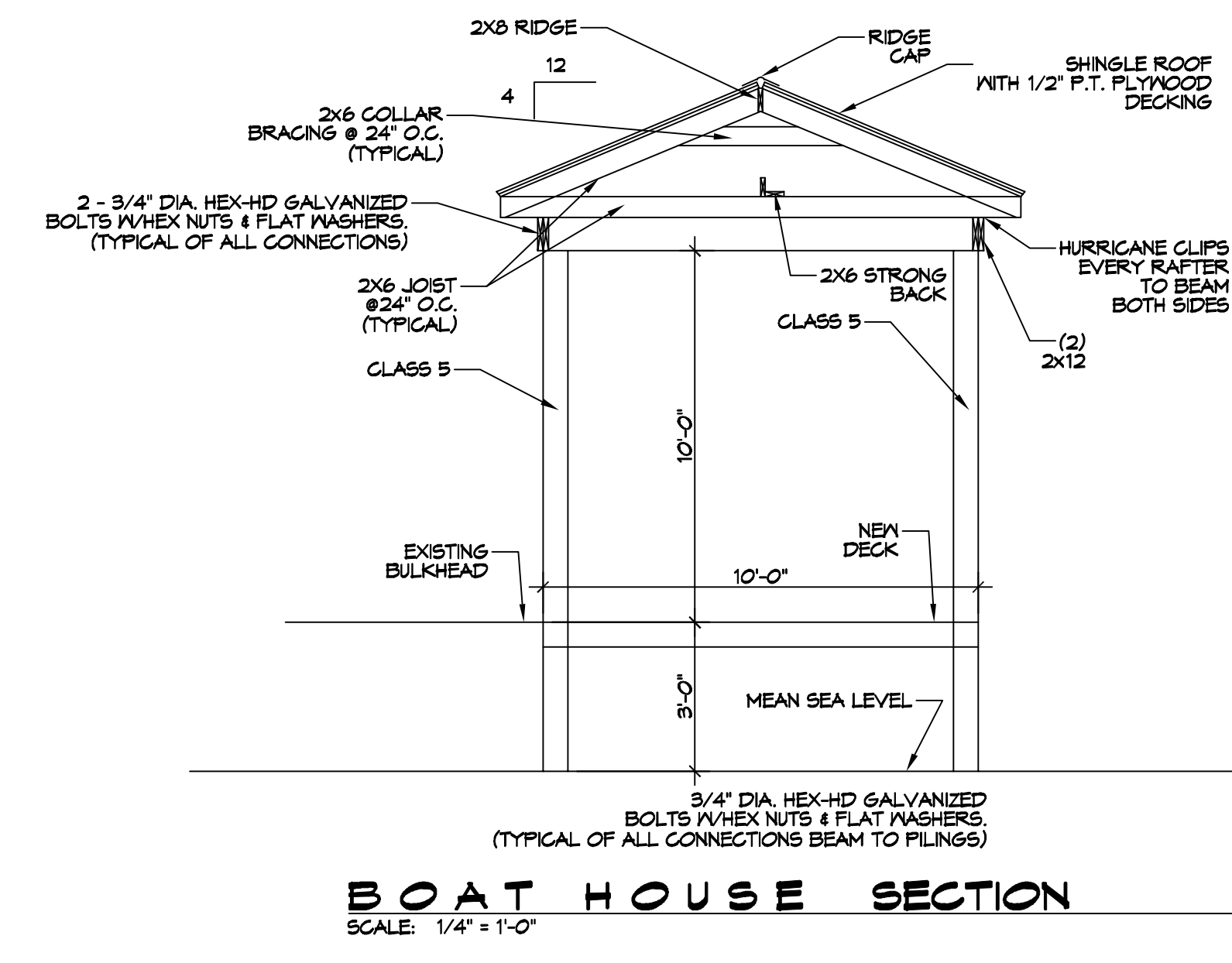
1. PILES ARE TO BE CLASS 5 PRESSURE TREATED 35 FT. IN LENGTH WITH A 6 INCH TIP AND 8 INCH BUTT
2. ALL PILES SHALL BE DRIVEN TO REFUSAL.
3. ALL LUMBER SHALL BE PRESSURE TREATED WITH A RETENTION OF .4 PER C.F.
4. ALL FASTENERS SHALL BE HOT DIPPED GALVANIZED (HDG) PER ASTM A153.
5. WRAP ALL PILING.

WIND SPEED

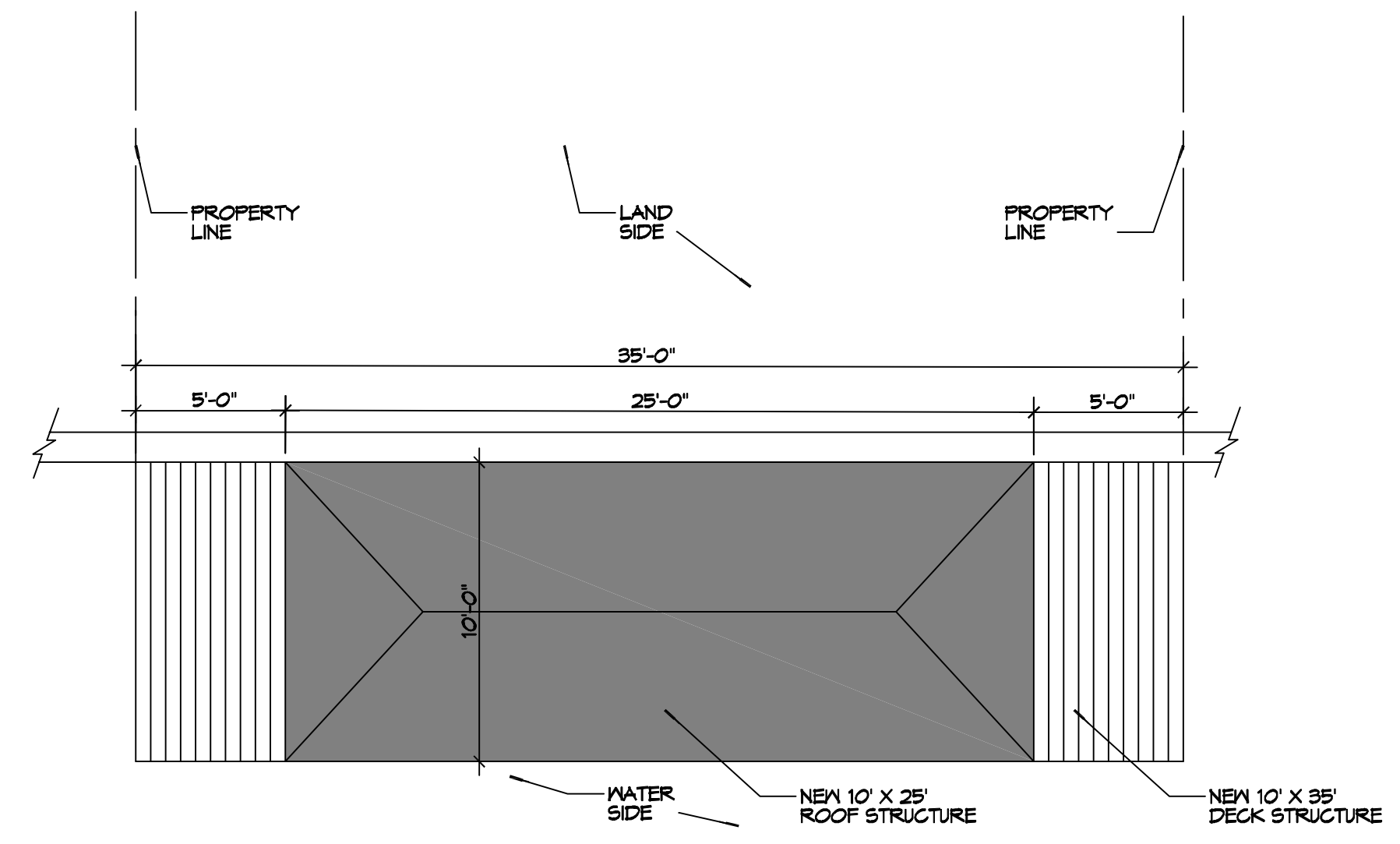
THE CONSTRUCTION FOR SAID BOAT HOUSE, WIND SPEED IS 130 MPH. THIS DESIGN IS IN ACCORDANCE WITH: AMERICAN WOOD COUNCIL, WOOD FRAME CONSTRUCTION MANUAL FOR ONE AND TWO FAMILY DWELLINGS (WFCM) 2015 EDITION AS WELL AS THE INTERNATIONAL RESIDENTIAL CODE (IRC) 2015 EDITION.

DAMMON
 ENGINEERING, INC.

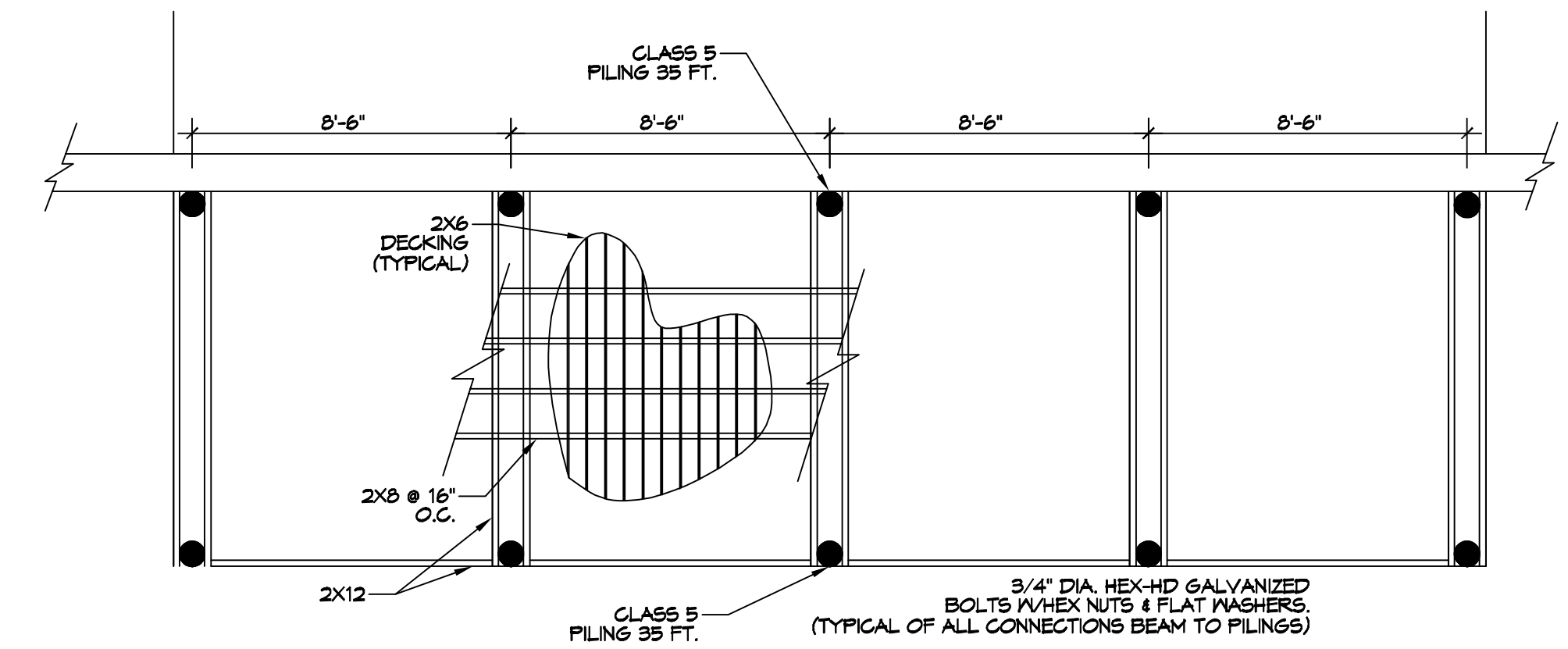
www.dammoneengineering.com
 info@dammoneengineering.com
 554 Old Spanish Trail
 Slidell, LA 70458
 PH: 985-649-5832
 Fax: 985-641-5990



BOAT HOUSE BEAM SECTION
 SCALE: 1/4" = 1'-0"

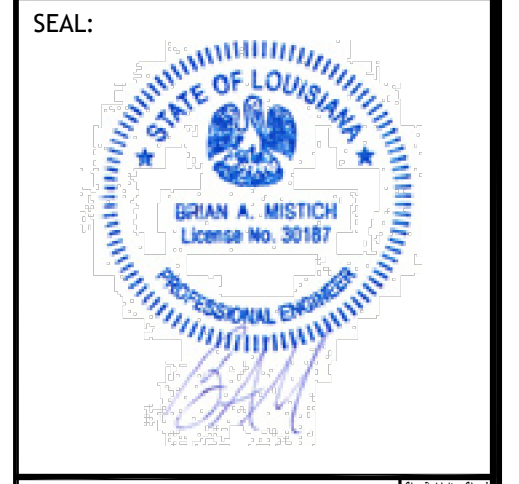


1 SITE PLAN
 SCALE: 1" = 5'



PILING / FRAMING PLAN
 SCALE: 1/4" = 1'-0"

#	DESCRIPTION	REVISIONS	DATE



NEW DOCK
JEFF GUNTHER
 1566 MARINA DR.
 SLIDELL, LA 70458
 JOB No: 2021
 DRAWN BY: CKD
 CHECKED BY: BAM
 DATE: 10-26-2021

SHEET TITLE:
BOAT HOUSE AND DOCK PLAN

DRAWING NUMBER:

C101