

Operator's Manual

Vibroplate

VP 1340

VP1340W

VP 1340W-L

VP 1340W-LL

VP 1340W-LF

VP1550

VP1550W



0155939en 009 0110



0 1 5 5 9 3 9 E N

Copyright notice

© Copyright 2010 by Wacker Neuson Corporation.

All rights, including copying and distribution rights, are reserved.

This publication may be photocopied by the original purchaser of the machine. Any other type of reproduction is prohibited without express written permission from Wacker Neuson Corporation.

Any type of reproduction or distribution not authorized by Wacker Neuson Corporation represents an infringement of valid copyrights. Violators will be prosecuted.

Trademarks

All trademarks referenced in this manual are the property of their respective owners.

Manufacturer

Wacker Neuson Manila Incorporated

Lot 2,Blk 1 Phase 3, PEZA Drive, First Cavite Industrial Estate, Brgy. Langkaan
Dasmariñas, Cavite, Philippines

Tel: +63-(0)2-580-7136 Fax: +63-(0)2-580-7122

www.wackerneuson.com

Translated instructions

This Operator's Manual presents a translation of the original instructions. The original language of this Operator's Manual is American English.

Foreword	3
1. Safety Information	4
1.1 Laws Pertaining to Spark Arresters	4
1.2 Operating Safety	5
1.3 Operator Safety while using Internal Combustion Engines	6
1.4 Service Safety	7
1.5 Label Locations	8
1.6 Warning and Informational Labels	9
2. Technical Data	12
2.1 Engine Data	12
2.2 Machine Data	13
2.3 Sound and Vibration Measurements	13
2.4 Dimensions	14
3. Operation	15
3.1 Recommended Fuel	15
3.2 Application	15
3.3 Before Starting	15
3.4 To Start	16
3.5 To Stop	16
3.6 Operation	17

4.	Maintenance	18
4.1	Periodic Maintenance Schedule	18
4.2	Spark Plug	20
4.3	Air Cleaner	21
4.4	Engine Oil	22
4.5	Adjusting Engine Speed	22
4.6	Cleaning Fuel Strainer	23
4.7	Drive Belt	24
4.8	Exciter Lubrication	25
4.9	Cleaning Plate	25
4.10	Lifting Machine	26
4.11	Transporting Machine	27
4.12	Storage	27
4.13	Troubleshooting	28

CALIFORNIA

Proposition 65 Warning:



Engine exhaust, some of its constituents, and certain vehicle components, contain or emit chemicals known to the State of California to cause cancer and birth defects or other reproductive harm.

Foreword

This manual provides information and procedures to safely operate and maintain this Wacker Neuson model. For your own safety and protection from injury, carefully read, understand and observe the safety instructions described in this manual.

Keep this manual or a copy of it with the machine. If you lose this manual or need an additional copy, please contact Wacker Neuson Corporation. This machine is built with user safety in mind; however, it can present hazards if improperly operated and serviced. Follow operating instructions carefully! If you have questions about operating or servicing this equipment, please contact Wacker Neuson Corporation.

The information contained in this manual was based on machines in production at the time of publication. Wacker Neuson Corporation reserves the right to change any portion of this information without notice.

All rights, especially copying and distribution rights, are reserved.

Copyright 2010 by Wacker Neuson Corporation.

No part of this publication may be reproduced in any form or by any means, electronic or mechanical, including photocopying, without express written permission from Wacker Neuson Corporation.

Any type of reproduction or distribution not authorized by Wacker Neuson Corporation represents an infringement of valid copyrights and will be prosecuted. We expressly reserve the right to make technical modifications, even without due notice, which aim at improving our machines or their safety standards.

1. Safety Information

This manual contains DANGER, WARNING, CAUTION, *NOTICE*, and NOTE callouts which must be followed to reduce the possibility of personal injury, damage to the equipment, or improper service.



This is the safety alert symbol. It is used to alert you to potential personal injury hazards. Obey all safety messages that follow this symbol to avoid possible injury or death.



DANGER

DANGER indicates a hazardous situation which, if not avoided, will result in death or serious injury.



WARNING

WARNING indicates a hazardous situation which, if not avoided, could result in death or serious injury.



CAUTION

CAUTION indicates a hazardous situation which, if not avoided, could result in minor or moderate injury.

NOTICE: Used without the safety alert symbol, **NOTICE** indicates a situation which, if not avoided, could result in property damage.

Note: *Contains additional information important to a procedure.*

1.1 Laws Pertaining to Spark Arresters

Notice: State Health Safety Codes and Public Resources Codes specify that in certain locations spark arresters be used on internal combustion engines that use hydrocarbon fuels. A spark arrester is a device designed to prevent accidental discharge of sparks or flames from the engine exhaust. Spark arresters are qualified and rated by the United States Forest Service for this purpose.

In order to comply with local laws regarding spark arresters, consult the engine distributor or the local Health and Safety Administrator.

1.2 Operating Safety



Familiarity and proper training are required for the safe operation of the machine. Machines operated improperly or by untrained personnel can be hazardous. Read the operating instructions contained in this manual and the engine manual, and familiarize yourself with the location and proper use of all controls. Inexperienced operators should receive instruction from someone familiar with the machine before being allowed to operate it.

- 1.2.1 Do not allow anyone to operate this equipment without proper training. People operating this equipment must be familiar with the risks and hazards associated with it.
- 1.2.2 Do not touch the engine or muffler while the engine is on or immediately after it has been turned off. These areas get hot and may cause burns.
- 1.2.3 Do not use accessories or attachments that are not recommended by Wacker Neuson. Damage to equipment and injury to the user may result.
- 1.2.4 NEVER operate the machine with the beltguard missing. Exposed drive belt and pulleys create potentially dangerous hazards that can cause serious injuries.
- 1.2.5 NEVER leave the machine running unattended.
- 1.2.6 Be sure operator is familiar with proper safety precautions and operation techniques before using machine.
- 1.2.7 ALWAYS wear protective clothing appropriate to the job site when operating the machine.
- 1.2.8 Wear hearing protection when operating equipment.
- 1.2.9 Close fuel valve on engines equipped with one when machine is not being operated.
- 1.2.10 Store the machine properly when it is not being used. The machine should be stored in a clean, dry location out of the reach of children.
- 1.2.11 Always operate machine with all safety devices and guards in place and in working order. Do not modify or defeat safety devices. Do not operate machine if any safety devices or guards are missing or inoperative.
- 1.2.12 Read, understand, and follow procedures in the Operator's Manual before attempting to operate the machine.

1.3 Operator Safety while using Internal Combustion Engines



WARNING

Internal combustion engines present special hazards during operation and fueling. Read and follow the warning instructions in the engine owner's manual and the safety guidelines below. Failure to follow the warnings and safety standards could result in severe injury or death.

- 1.3.1 DO NOT run the machine indoors or in an enclosed area such as a deep trench unless adequate ventilation, through such items as exhaust fans or hoses, is provided. Exhaust gas from the engine contains poisonous carbon monoxide gas; exposure to carbon monoxide can cause loss of consciousness and may lead to death.
- 1.3.2 Do not smoke while operating the machine.
- 1.3.3 Do not smoke when refueling the engine.
- 1.3.4 Do not refuel a hot or running engine.
- 1.3.5 Do not refuel the engine near an open flame.
- 1.3.6 Do not spill fuel when refueling the engine.
- 1.3.7 Do not run the engine near open flames.
- 1.3.8 Refill the fuel tank in a well-ventilated area.
- 1.3.9 Replace the fuel tank cap after refueling.
- 1.3.10 ALWAYS check the fuel lines and the fuel tank for leaks and cracks before starting the engine. Do not run the machine if fuel leaks are present or the fuel lines are loose.

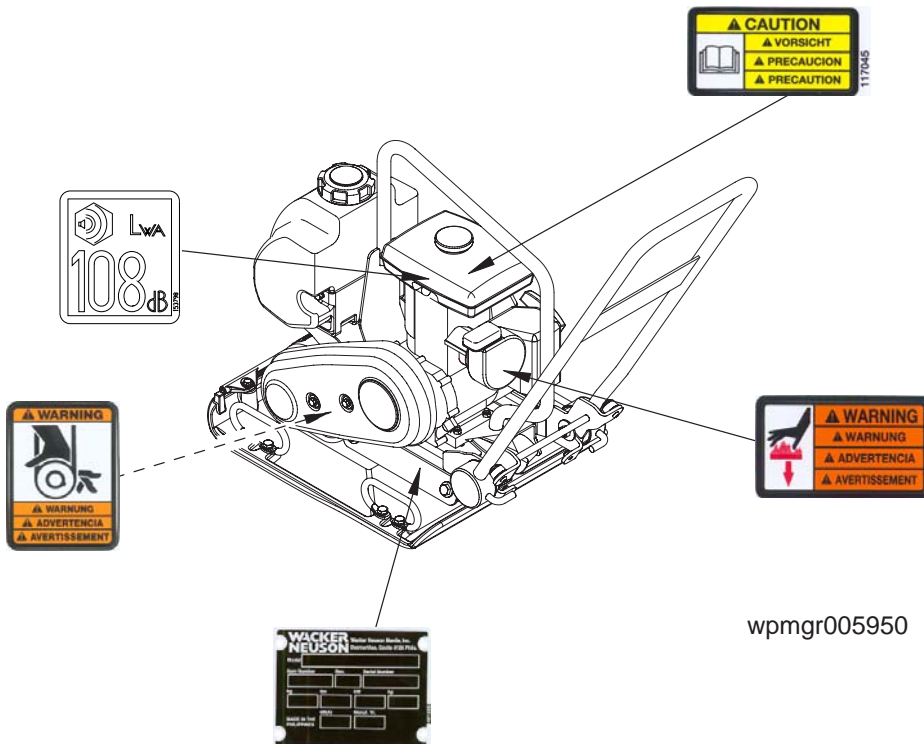
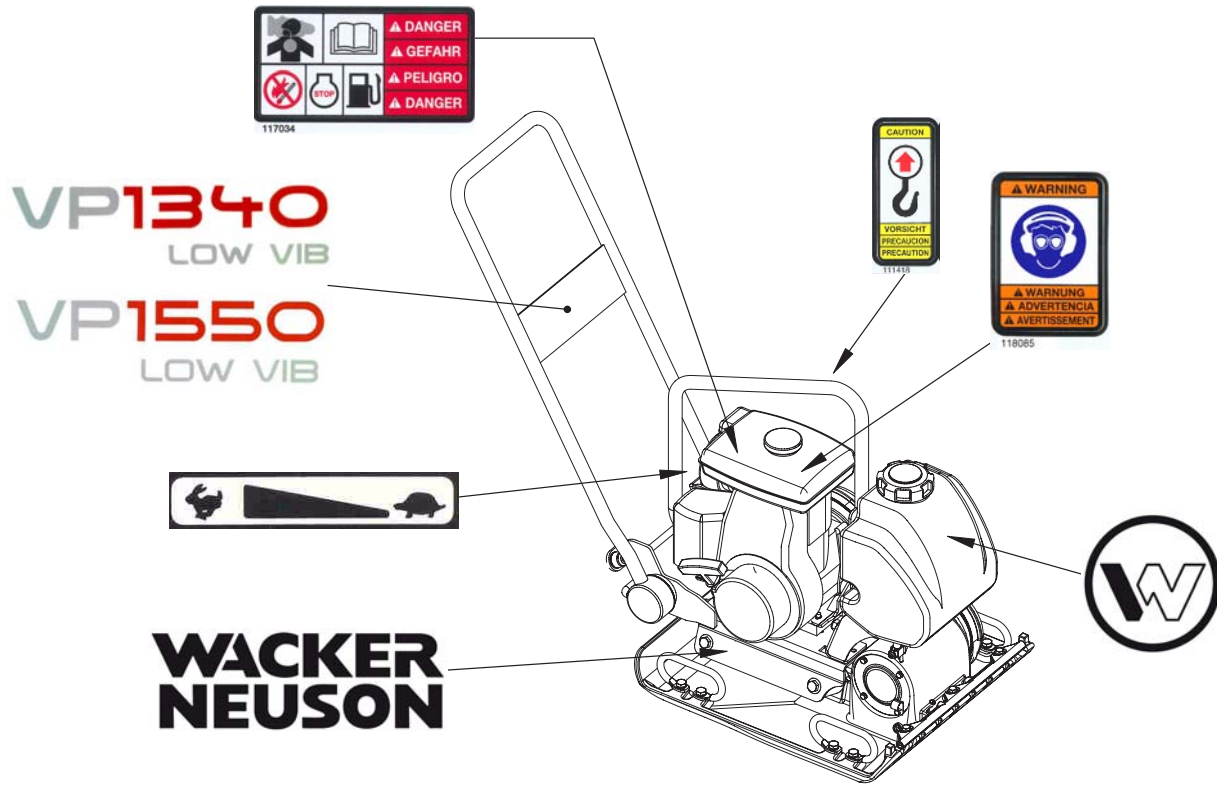
1.4 Service Safety

**WARNING**

A poorly maintained machine can become a safety hazard! In order for the machine to operate safely and properly over a long period of time, periodic maintenance and occasional repairs are necessary.







- 1.4.1 Do not attempt to clean or service the machine while it is running. Rotating parts can cause severe injury.
- 1.4.2 Do not crank a flooded engine with the spark plug removed on gasoline-powered engines. Fuel trapped in the cylinder will squirt out the spark plug opening.
- 1.4.3 Do not test for spark on gasoline-powered engines if the engine is flooded or the smell of gasoline is present. A stray spark could ignite the fumes.
- 1.4.4 Do not use gasoline or other types of fuels or flammable solvents to clean parts, especially in enclosed areas. Fumes from fuels and solvents can become explosive.
- 1.4.5 Keep the area around the muffler free of debris such as leaves, paper, cartons, etc. A hot muffler could ignite the debris and start a fire.
- 1.4.6 Replace worn or damaged components with spare parts designed and recommended by Wacker Neuson Corporation.
- 1.4.7 Disconnect the spark plug on machines equipped with gasoline engines, before servicing, to avoid accidental start-up.
- 1.4.8 Keep the machine clean and labels legible. Replace all missing and hard-to-read labels. Labels provide important operating instructions and warn of dangers and hazards.


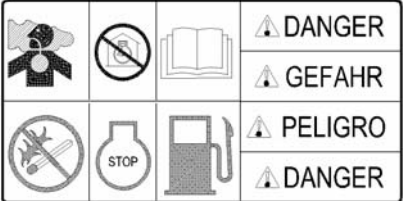



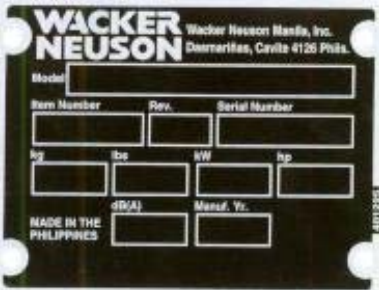
1.5 Label Locations



1.6 Warning and Informational Labels

Wacker Neuson machines use international pictorial labels where needed. These labels are described below:

Label	Meaning
	<p>WARNING! Always wear hearing and eye protection when operating this machine.</p>
	<p>WARNING! Hot surface!</p>
	<p>Guaranteed sound power level in dB(A).</p>
	<p>WARNING! Hand injury if caught in moving belt. Always replace beltguard.</p>
	<p>CAUTION! Read and understand the supplied Operator's Manual before operating this machine. Failure to do so increases the risk of injury to yourself or others.</p>
	<p>CAUTION Lifting point.</p>

Label	Meaning
	<p>Throttle control lever: Turtle = Idle or Slow Rabbit = Full or Fast</p>
 <p>117034</p>	<p>DANGER! Engines emit carbon monoxide; operate only in well-ventilated area. Read the Operator's Manual. No sparks, flames, or burning objects near the machine. Shut off the engine before refueling.</p>
	<p>Label-machine model</p>
	<p>Company logo</p>
	<p>Company label</p>
	<p>A nameplate listing the model number, item number, revision number, and serial number is attached to each unit. Please record the information found on this plate so it will be available should the nameplate become lost or damaged. When ordering parts or requesting service information, you will always be asked to specify the model number, item number, revision number, and serial number of the unit.</p>

Label	Meaning
<p data-bbox="203 300 565 363">U.S. PAT. Nos.: OTHER U.S. AND FOREIGN PATENTS PENDING</p>	<p data-bbox="784 226 1433 300">This machine may be covered by one or more patents.</p>

2. Technical Data

2.1 Engine Data

Engine Power Rating

Net power rating per SAE J1349. Actual power output may vary due to conditions of specific use.

		VP 1340, VP 1340 W 0008705, 0008706 VP 1550, VP 1550 W 0008707, 0008708 VP 1550 W 0630013	VP 1340 W-L 0630001 VP 1340 W-LL 0630002 VP 1340 W-LF 0630003
Engine			
Engine Make		Wacker	
Engine Model		WM170	
Max. rated power @ rated speed	kW (Hp)	4.2 (5.7) @ 4000 rpm	
Operating speed	rpm	3600	
Clutch Engagement	rpm	2100	
Spark Plug		NGK BR6HS Champion RL86C	
Electrode Gap	mm (in.)	0.6-0.7 (0.02–0.03)	
Air Cleaner	type	Dual element type, Urethane foam and paper element	
Engine Lubrication	oil grade	SAE 10W30 SE or higher	
Engine Oil Capacity	ml (oz.)	600 (20)	
Fuel	type	Regular unleaded gasoline	
Fuel Tank Capacity	l (qts.)	3.6 (3.8)	
Valve Clearance (cold)		0.07-0.13 (0.003-0.005)	
Inlet:	mm (in.)	0.17-0.23 (0.007-0.009)	
Outlet:			

2.2 Machine Data

		VP 1340, VP 1340 W 0008705, 0008706 VP 1340W - L 0630001 VP 1340W - LL 0630002 VP 1340W - LF 0630003	VP 1550, VP 1550 W 0008707, 0008708 VP 1550 W 0630013
Plate			
Weight	kg (lbs.)	VP 1340: 74 (163) VP 1340W: 76 (168) VP 1340W-L: 76 (168) VP 1340W-LL: 76 (168) VP 1340W-LF: 76 (168)	VP 1550: 83 (184) VP 1550W: 86 (190)
Water Tank Capacity	l (qts.)	3.8 (4.0)	7.6 (8.0)
Exciter Speed	rpm	5800 ± 100	
Exciter Lubrication	ml (oz.)	240 (8) Automatic transmission fluid Dextron III/Mercon or equivalent	

2.3 Sound and Vibration Measurements

The required sound specification, Paragraph 1.7.4.f of 89/392/EEC Machinery Directive, is:

- the guaranteed sound power level (L_{WA}) = 108 dB(A).
- the sound pressure level at operator’s location (L_{pA}):

VP 1340 = 90 dB(A), VP 1550 = 91 dB(A).

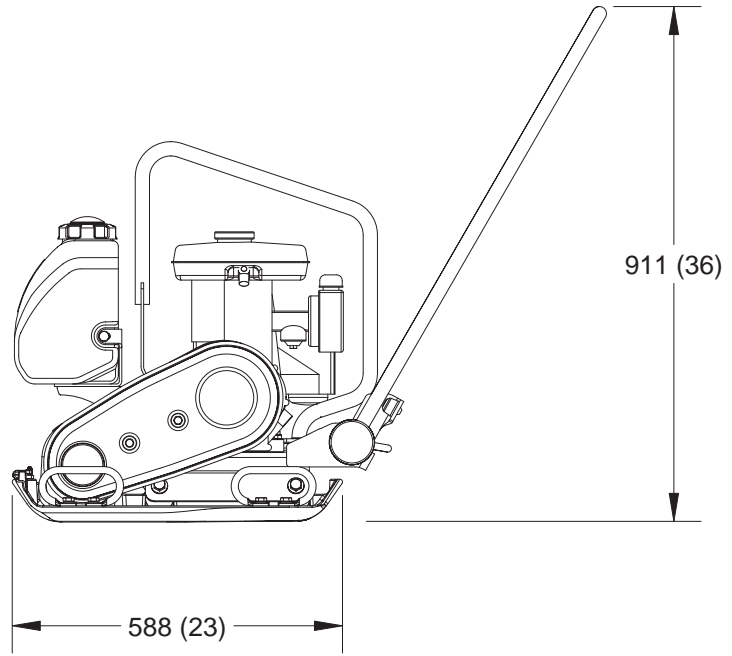
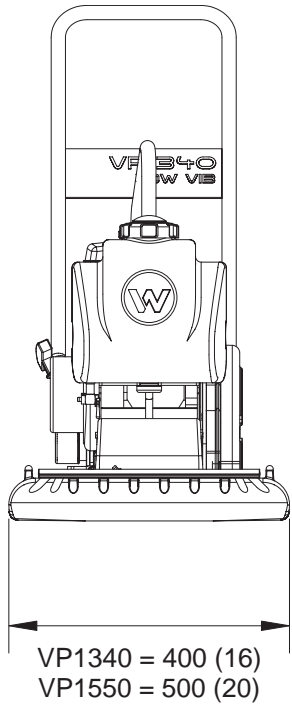
These sound values were determined according to ISO 3744 for the sound power level (L_{WA}) and ISO 6081 for the sound pressure level (L_{pA}) at the operator’s location.

The weighted effective acceleration value, determined according to EN ISO 5349, is approximately = 4.5 m/s².

The sound and vibration measurements were obtained with the machine operating on crushed gravel at nominal engine speed.

2.4 Dimensions

mm (in.)



wpmgr005967

3. Operation

3.1 Recommended Fuel

The engine requires regular grade unleaded gasoline. Use only fresh, clean gasoline. Gasoline containing water or dirt will damage fuel system. Consult engine owner's manual for complete fuel specifications.

3.2 Application

This plate is designed for compacting loose, granular soils, gravel, and paving stones. It is intended to be used in confined areas and areas next to structures such as walls, curbs, and foundations. Plates equipped with water tanks can be used for compacting asphalt.

This plate is not recommended for compacting cohesive soils with a heavy clay content. For cohesive soil, use a vibratory rammer or sheepsfoot roller.

3.3 Before Starting

- 3.3.1 Read and understand the safety and operating instructions at the beginning of this manual.
- 3.3.2 Check:
 - Oil level in the engine
 - Fuel level
 - Condition of the air cleaner
 - Tightness of the external fasteners
 - Condition of the fuel lines

3.4 To Start

See Graphic: wc_gr000655

3.4.1 Open fuel valve by moving lever down (**a1**).

Note: If engine is cold, move choke lever to close position (**d2**). If engine is hot, set choke to open position (**d1**).

3.4.2 Turn engine switch to “ON” (**b2**).

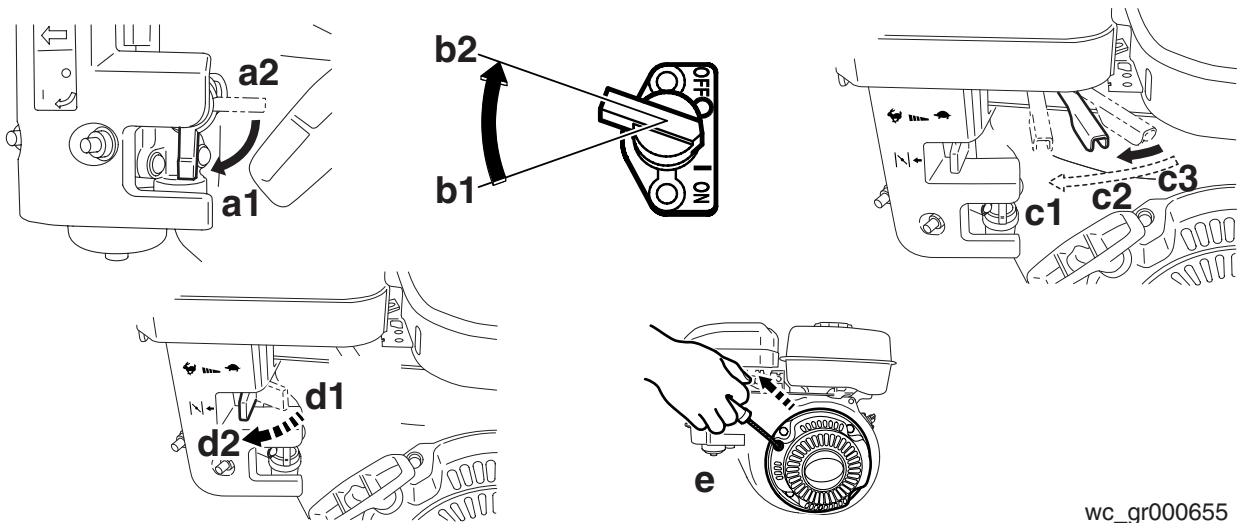
3.4.3 Open throttle by moving it slightly to left (**c2**).

3.4.4 Pull starter rope (**e**).

Note: If the oil level in the engine is low, the engine will not start. If this happens, add oil to engine.

3.4.5 Open choke as engine warms (**d1**).

3.4.6 Open throttle fully to operate (**c1**).



wc_gr000655

3.5 To Stop

See Graphic: wc_gr000655

3.5.1 Reduce engine RPM to idle by moving throttle completely to right (**c3**).

3.5.2 Turn engine switch to “OFF” (**b1**).

3.5.3 Close fuel valve (**a2**).

3.6 Operation

- 3.6.1 Run the engine at full throttle and allow the plate to pull itself along at its normal speed. When operating on an incline it may be necessary to assist the plate by pushing it forward slightly. When operating downhill hold the plate back slightly, if it begins to pick up speed. Depending on the material being compacted, three or four passes are recommended to achieve the best compaction.

While a certain amount of moisture in the soil is necessary, excessive moisture may cause soil particles to stick together and prevent good compaction. If soil is extremely wet, allow it to dry somewhat before compacting.

If soil is so dry as to create dust clouds while operating plate, some moisture should be added to the ground material to improve compaction. This will also reduce service to the air filter.

For compacting asphalt, use a water tank to wet the asphalt and the underside of plate. This will prevent asphalt material from sticking. Two passes are usually sufficient to ensure good compaction.

When using the plate on paving stones, attach a pad to the bottom of the plate to prevent chipping or grinding surface of stones. A special polyurethane pad designed for this purpose is available as an optional accessory.

NOTICE: DO NOT operate the plate on concrete or on extremely hard, dry, compacted surfaces. The plate will jump rather than vibrate and could damage both the plate and the engine.

4. Maintenance

4.1 Periodic Maintenance Schedule

4.1.1 Engine Maintenance

The chart below lists basic engine maintenance. Refer to the engine manufacturer’s Operation Manual for additional information.

	Daily before starting	After first 20 hrs.	Every 2 weeks or 50 hrs.	Every month or 100 hrs.	Every year or 300 hrs.
Check fuel level.	■				
Check engine oil level.	■				
Inspect fuel lines.	■				
Inspect air filter. Replace as needed.	■				
Clean air cleaner elements.			■		
Change engine oil.		■		■	
Clean engine cooling fins.				■	
Clean sediment cup / fuel filter.				■	
Check and clean spark plug.				■	
Check and adjust valve clearance.					■
Change exciter oil.					■

4.1.2 Machine Maintenance

The chart below lists basic machine maintenance.

	Daily before starting	After first 20 hrs.	Every 2 weeks or 50 hrs.	Every month or 100 hrs.	Every year or 300 hrs.
Check external hardware.	■				
Check and adjust drive belt.		■	■		
Inspect shockmounts for damage.			■		
Replace shockmounts as needed.					■
Change exciter oil.					■



Note: *When machine is being used in asphalt, it is highly recommended that shockmounts are replaced every year or after 300 hours of usage.*

4.2 Spark Plug

See Graphic: *wc_gr000028*

Clean or replace the spark plug as needed to ensure proper operation. Refer to your engine operator's manual.



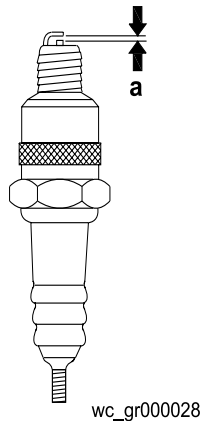
WARNING

The muffler becomes very hot during operation and remains hot for a while after stopping the engine. Do not touch the muffler while it is hot.

Note: Refer to section "Technical Data" for the recommended spark plug type and the electrode gap setting.

- 4.2.1 Remove the spark plug and inspect it.
- 4.2.2 Replace the spark plug if the insulator is cracked or chipped.
- 4.2.3 Clean the spark plug electrodes with a wire brush.
- 4.2.4 Set the electrode gap (**a**).
- 4.2.5 Tighten the spark plug securely.

NOTICE: A loose spark plug can become very hot and may cause engine damage.



4.3 Air Cleaner

See Graphic: wc_gr000656



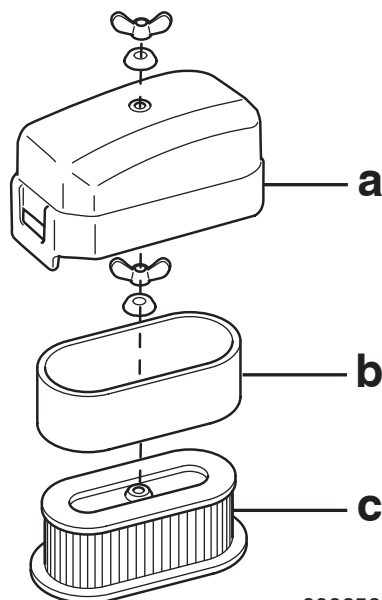
WARNING

NEVER use gasoline or other types of low-flash point solvents for cleaning the air cleaner. A fire or explosion could result.

NOTICE: NEVER run the engine without the air cleaner. Severe engine damage will occur.

The engine is equipped with a dual-element air cleaner. Under normal operating conditions, the elements should be cleaned once every week. Under severe, dry and dusty conditions, the elements should be maintained daily. Replace an element when it is saturated with dirt that cannot be removed.

- 4.3.1 Remove the air cleaner cover **(a)**. Remove the filter assembly by pulling it straight up. Inspect both elements for holes or tears. Replace damaged elements.
- 4.3.2 Wash the foam element **(b)** in a solution of mild detergent and warm water. Rinse it thoroughly in clean water. Allow the element to dry thoroughly.
- 4.3.3 Tap the paper element **(c)** lightly to remove excess dirt or blow compressed air through the filter from the inside out. Replace the paper element if it appears heavily soiled.



wc_gr000656

4.4 Engine Oil

See Graphic: *wc_gr000087*

4.4.1 Drain oil while engine is still warm.

Note: *In the interests of environmental protection, place a plastic sheet and a container under the machine to collect any liquid which drains off. Dispose of this liquid in accordance with environmental protection legislation.*

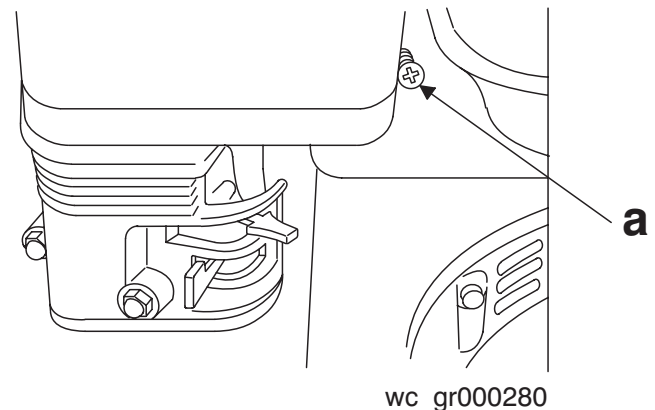
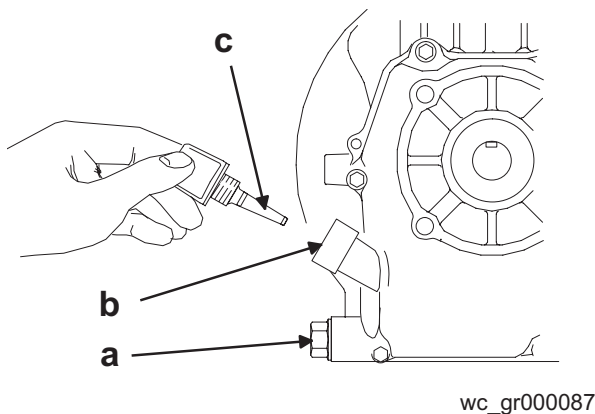
4.4.2 Remove the oil drain plug (a).

4.4.3 Allow the oil to drain.

4.4.4 Install the drain plug.

4.4.5 Fill the engine crankcase through the oil filler opening (b), to the upper mark on the dipstick (c). Do not thread in the dipstick to check the level. See *Technical Data* for oil quantity and type.

4.4.6 When the crankcase is full, reinstall the dipstick.



4.5 Adjusting Engine Speed

See Graphic: *wc_gr000280*

Adjust to a full load speed of 3600 ± 100 rpm.

To adjust engine speed:

4.5.1 Place machine on a rubber test mat to prevent it from moving.

4.5.2 Start engine and allow it to warm up for a minute.

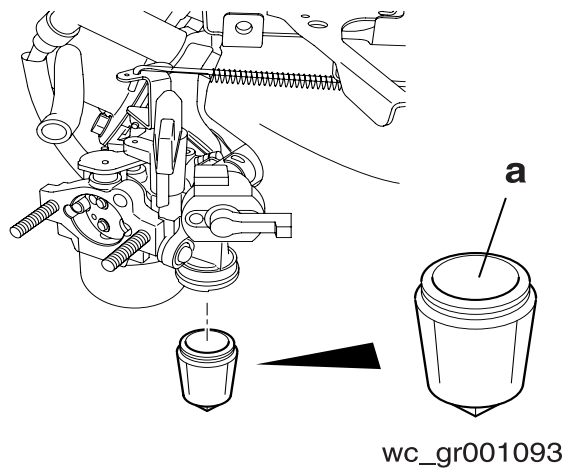
4.5.3 Turn throttle stop screw (a) in to increase speed, out to decrease speed. Make sure throttle lever is touching stop screw before measuring RPM.

NOTICE: Running plate at a speed higher than that listed in *Technical Data* can damage both the plate and the engine.

4.6 Cleaning Fuel Strainer

See Graphic: *wc_gr001093*

- 4.6.1 To remove water and dirt, close the fuel lever and remove the fuel strainer.
- 4.6.2 Inspect the fuel strainer (**a**) for water and dirt.
- 4.6.3 After removing any dirt and water, wash the fuel cup with a nonflammable solvent.
- 4.6.4 Reinstall securely to prevent leakage.



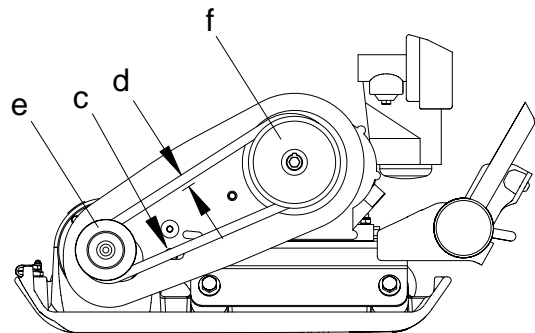
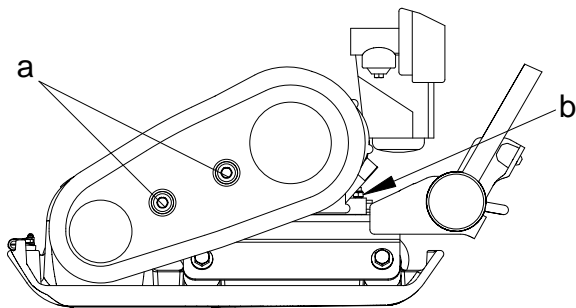
4.7 Drive Belt

See Graphic: *wpmgr005993*

On new machines or after installing a new belt, check the belt tension after first 20 hours of operation. Check and adjust the belt every 50 hours thereafter.

To adjust the belt:

- 4.7.1 Loosen the two screws **(a)** on the beltguard, then remove the beltguard, keeping the screw assemblies captured on the beltguard.
- 4.7.2 Loosen the four nuts **(b)** which hold the engine to the console, and the screw **(c)** which holds the beltguard back to the console.
- 4.7.3 Slide the engine backward (towards the handle) to tighten the belt, forward to loosen the belt.
- 4.7.4 Adjust the belt so that it deflects 10–13 mm **(d)** when pressed midway between the belt pulleys.
- 4.7.5 Make sure that the clutch pulley **(f)** and the exciter pulley **(e)** are in alignment. Place a straight edge against the exciter pulley **(e)** and move the engine so that the two pulleys are parallel.
- 4.7.6 Torque all nuts and screws to 20.5 Nm as you reassemble the machine.



wpmgr005993

4.8 Exciter Lubrication

See Graphic: *wpmgr006018*

The bearings in the exciter assembly are splash lubricated and rotate at very high speed. It is important to maintain the exciter oil at the correct level and change it regularly.

Check oil level in exciter every 50 hours of operation.

To check oil level, place plate on a flat, level surface. Remove the drain plug **(a)** with seal ring **(b)**. Oil level should be at drain plug threads. Add oil as required.

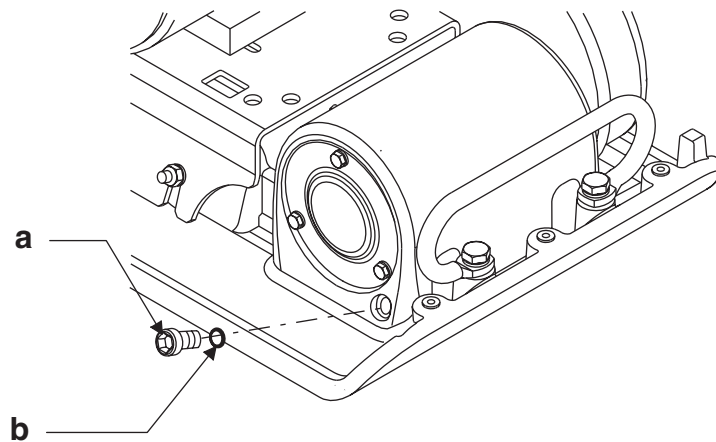
Change exciter oil every 300 hours of operation.

To drain oil, remove plug **(a)** from end of exciter and tilt plate up.

Note: In the interests of environmental protection, place a plastic sheet and a container under the machine to collect any liquid which drains off. Dispose of this liquid in accordance with environmental protection legislation.

Place plate on a level surface and add oil through plug opening until oil reaches the drain plug threads. See *Technical Data*.

NOTICE: *DO NOT overfill. Too much oil in the exciter can reduce performance and damage the drive belt.*



wpmgr006018

4.9 Cleaning Plate

Clean plate after use to remove dirt, stones, and mud caught under the engine console. If plate is being used in a dusty area, check engine cylinder cooling fins for heavy dirt accumulation. Keep engine cylinder fins clean to prevent engine from overheating.

4.10 Lifting Machine

See Graphic: wpmgr006023

See *Technical Data* for weight of the machine.

To lift machine manually:

- 4.10.1 Stop the engine.
- 4.10.2 Obtain help from a partner and plan the lift.



WARNING

To avoid burns or fire hazards, let the engine cool before transporting the machine or storing it indoors. Turn the fuel valve to the off position and keep the engine level to prevent fuel from spilling.

- 4.10.3 Grasp machine by the lifting handles **(a)** and **(b)**.

Note: On the VP1340, the left front lifting handle (a) is not present. Grasp lifting handle (b) with both hands.

- 4.10.4 Lift machine as shown.



WARNING

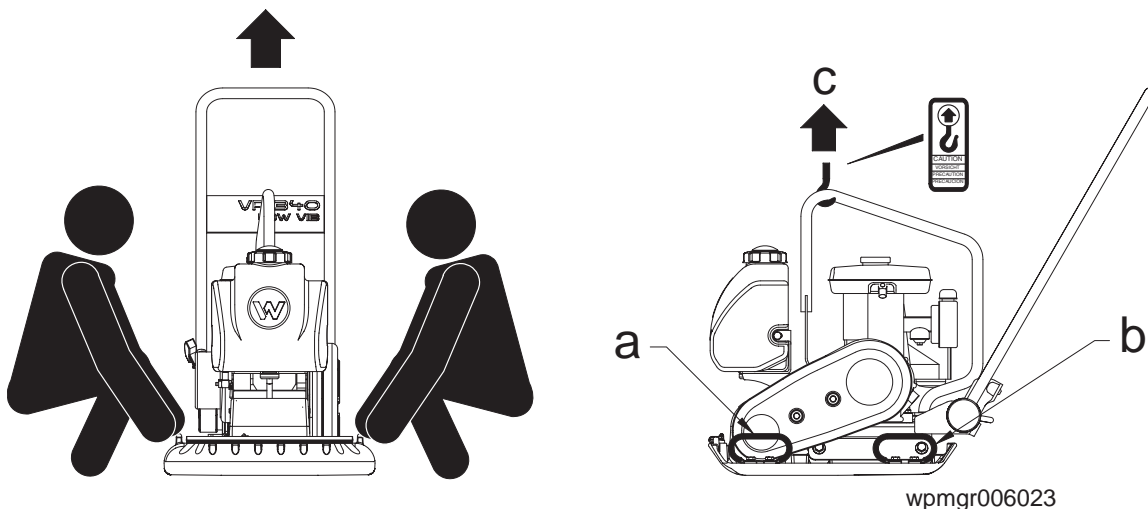
To reduce risk of back injury while lifting, keep feet flat on ground and shoulder width apart. Keep head up and back straight.

To lift machine mechanically:

NOTICE: Before attempting to lift, be sure that lifting devices can safely handle weight of the machine. See *Technical Data* for weight of the machine.

- 4.10.5 Attach hook, harness, or cable to machine as shown **(c)**, and lift as desired.

NOTICE: DO NOT lift the vibroplate by its guide handle. The vibroplate can shift, causing it to fall.



wpmgr006023

4.11 Transporting Machine

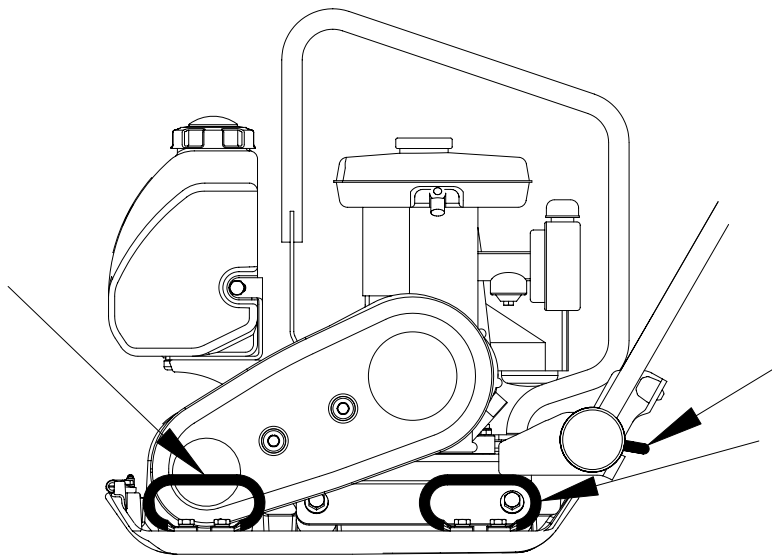
See Graphic: *wpmgr006043*



WARNING

To avoid burns or fire hazards, let engine cool before transporting machine or storing indoors.

- 4.11.1 Turn fuel valve to the off position and keep the engine level to prevent fuel from spilling.
- 4.11.2 Tie down machine on vehicle to prevent machine from sliding or tipping over. Tie machine to vehicle at points shown on graphic.



wpmgr006043

4.12 Storage

If plate is being stored for more than 30 days:

- 4.12.1 Remove loose stones and dirt from plate.
- 4.12.2 Clean engine cylinder cooling fins.
- 4.12.3 Clean or replace air filter.
- 4.12.4 Change exciter oil.
- 4.12.5 Change engine oil and follow procedures described in engine manual for engine storage.
- 4.12.6 Cover plate and engine and store in a clean, dry area.

4.13 Troubleshooting

Problem / Symptom	Reason / Remedy
Plate does not develop full speed. Poor compaction.	<ul style="list-style-type: none"> • Engine throttle control not completely open. • Throttle control not adjusted correctly. • Ground too wet, plate sticking. Allow soil to dry before compacting. • Drive belt loose or worn, slipping on pulleys. Adjust or replace belt. Check that engine mounting bolts are tight. • Exciter bearings binding. Check condition and level of oil in exciter. Add or change oil. • Air filter clogged with dust, reducing engine performance. Clean or replace air filter. • Engine speed too low. Check engine speed with tachometer. Adjust or repair engine to run at correct speed. Refer to engine manual.
Engine running, no vibration	<ul style="list-style-type: none"> • Engine throttle not open. • Drive belt loose or broken. Adjust or replace. • Clutch damaged. Inspect and replace clutch. • Engine speed too low. Check engine speed. • Too much oil in exciter. Adjust oil to correct level.
Plate jumps or compacts unevenly.	<ul style="list-style-type: none"> • Ground surface too hard. • Shockmounts loose or damaged.



EC DECLARATION OF CONFORMITY

WACKER NEUSON MANILA, INC., DASMARIÑAS, CAVITE, PHILIPPINES

AUTHORIZED REPRESENTATIVE IN THE EUROPEAN UNION	Axel Häret WACKER NEUSON SE Preußenstraße 41 80809 München
---	---

hereby certifies that the construction equipment specified hereunder:

- Category
Vibratory Plates
- Machine function:
This plate is designed for compacting loose, granular soils, gravel, and paving stones. It is intended to be used in confined areas and areas next to structures such as walls, curbs, and foundations. Plates equipped with water tanks can be used for compacting asphalt.
- Type / Model
VP 1340, VP 1340W, VP 1340W - L, VP 1340W - LL, VP 1340W - LF, VP 1550, VP 1550W
- Item number of equipment:
0008705, 0008706, 0630001, 0630002, 0630003, 0008707, 0008708, 0630013
- Net installed power:
VP 1340, VP 1340W, VP 1340W - L, VP 1340W - LL, VP 1340W - LF, VP 1550, VP 1550W 4,2kW

Has been sound tested per Directive 2000/14/EC:

Conformity Assessment Procedure	Name and address of notified body	Measured sound power level	Guaranteed sound power level
Annex VI	VDE-Prüf- und Zertifizierungsinstitut Zertifizierungsstelle Merianstraße 28 63069 Offenbach/Main	VP 1340/W 104 dB(A) VP 1340W - L 104 dB(A) VP 1340W - LL 104 dB(A) VP 1340W - LF 104 dB(A) VP 1550/W 105 dB(A)	VP 1340/W 108 dB(A) VP 1340W - L 108 dB(A) VP 1340W - LL 108 dB(A) VP 1340W - LF 108 dB(A) VP 1550/W 108 dB(A)

- This machinery fulfills the relevant provisions of **Machinery Directive 2006/42/EC** and is also produced in accordance with these standards:

2000/14/EC
2004/108/EC
EN 500-1
EN 500-4

Heinz Gengnagel
President & CEO

23.12.09

Date

WACKER NEUSON CORPORATION

The original language of this EC Declaration of Conformity is American English.



WACKER NEUSON

CE-KONFORMITÄTSERKLÄRUNG

WACKER NEUSON MANILA, INC., DASMARIÑAS, CAVITE, PHILIPPINES

BEVOLLMÄCHTIGTER VERTRETER FÜR DIE EUROPÄISCHE GEMEINSCHAFT	Axel Häret WACKER NEUSON SE Preußenstraße 41 80809 München
---	---

bescheinigt, daß das Baugerät:

- Art:
Rüttelplatten
- Maschinenfunktion:
Diese Platte eignet sich zum Verdichten von losen und körnigen Böden, Kies und Verbundsteinen, ebenso in engen Bereichen an Gebäuden, Randsteinen und Fundamenten. Platten mit Wasserberieselungsanlage können zur Verdichtung von Asphalt angewendet werden.
- Typ / Modell:
VP 1340, VP 1340W, VP 1340W - L, VP 1340W - LL, VP 1340W - LF, VP 1550, VP 1550W
- Artikelnummer:
0008705, 0008706, 0630001, 0630002, 0630003, 0008707, 0008708, 0630013
- Absolute installierte Leistung:
VP 1340, VP 1340W, VP 1340W - L, VP 1340W - LL, VP 1340W - LF, VP 1550, VP 1550W 4,2kW

In Übereinstimmung mit Richtlinie 2000/14/EG bewertet worden ist:

Konformitätsbewertungsverfahren	Bei folgender einbezogener Prüfstelle	Gemessener Schalleistungspegel	Garantierter Schalleistungspegel
ANHANG VI	VDE-Prüf- und Zertifizierungsinstitut Zertifizierungsstelle Merianstraße 28 63069 Offenbach/Main	VP 1340/W 104 dB(A) VP 1340W - L 104 dB(A) VP 1340W - LL 104 dB(A) VP 1340W - LF 104 dB(A) VP 1550/W 105 dB(A)	VP 1340/W 108 dB(A) VP 1340W - L 108 dB(A) VP 1340W - LL 108 dB(A) VP 1340W - LF 108 dB(A) VP 1550/W 108 dB(A)

- Diese Maschine erfüllt die relevanten Bestimmungen der Richtlinie für Maschinen 2006/42/EG und wurde auch gemäß deren Normen hergestellt:

**2000/14/EC
2004/108/EC
EN 500-1
EN 500-4**

Heinz Gengnagel
President & CEO

23.12.09

Datum

WACKER NEUSON CORPORATION

Diese EG-Konformitätserklärung ist eine Übersetzung des Originalzertifikats.



WACKER NEUSON

DECLARACIÓN DE CONFORMIDAD DE LA CE

WACKER NEUSON MANILA, INC., DASMARIÑAS, CAVITE, PHILIPPINES

REPRESENTANTE AUTORIZADO EN LA UNIÓN EUROPEA	Axel Häret WACKER NEUSON SE Preußenstraße 41 80809 München
--	---

certifica que la máquina de construcción:

- Categoría:
Planchas Vibratorias
- Función de la máquina:
Esta placa está diseñada para compactar suelos granulares sueltos, grava y adoquines de hormigón. Se entiende que será usada en áreas confinadas y áreas cercanas a estructuras tales como muros, curvas y fundaciones. Planchas equipadas con tanque de agua pueden ser usadas en la compactación de asfalto.
- Tipo / Modelo:
VP 1340, VP 1340W, VP 1340W - L, VP 1340W - LL, VP 1340W - LF, VP 1550, VP 1550W
- Número de referencia de la máquina:
0008705, 0008706, 0630001, 0630002, 0630003, 0008707, 0008708, 0630013
- Potencia instalada neta:
VP 1340, VP 1340W, VP 1340W - L, VP 1340W - LL, VP 1340W - LF, VP 1550, VP 1550W 4,2kW

Ha sido ensayado en conformidad con la norma 2000/14/CE:

Procedimiento para ensayar conformidad	Oficina matriculadora	Nivel de potencia acústica determinado	Nivel de potencia acústica garantizado
ANEXO VI	VDE-Prüf- und Zertifizierungsinstitut Zertifizierungsstelle Merianstraße 28 63069 Offenbach/Main	VP 1340/W 104 dB(A) VP 1340W - L 104 dB(A) VP 1340W - LL 104 dB(A) VP 1340W - LF 104 dB(A) VP 1550/W 105 dB(A)	VP 1340/W 108 dB(A) VP 1340W - L 108 dB(A) VP 1340W - LL 108 dB(A) VP 1340W - LF 108 dB(A) VP 1550/W 108 dB(A)

- Esta maquinaria cumple con las cláusulas pertinentes de la Directiva 2006/42/CE sobre maquinaria y también se fabrica en conformidad con estas pautas:

2000/14/EC
2004/108/EC
EN 500-1
EN 500-4

Heinz Gengnagel
President & CEO

23.12.09

Fecha

WACKER NEUSON CORPORATION

Esta Declaración de conformidad CE presenta una traducción del certificado original.



WACKER NEUSON

DÉCLARATION DE CONFORMITÉ C.E.

WACKER NEUSON MANILA, INC., DASMARIÑAS, CAVITE, PHILIPPINES

REPRÉSENTANT AGRÉÉ AUPRÈS DE L'UNION EUROPÉENNE	Axel Häret WACKER NEUSON SE Preußenstraße 41 80809 München
---	---

atteste que le matériel:

- Catégorie:
Plaques Vibrantes
- Fonction de la machine :
Cette plaque est conçue pour le compactage de la terre lâche et granuleuse, du gravier et des pavés. Elle est destinée à être utilisée dans les endroits fermés et à côté de structures telles que murs, bordures et fondations. Les plaques pourvues de réservoirs d'eau peuvent être utilisées pour le compactage de l'asphalte.
- Type / modèle :
VP 1340, VP 1340W, VP 1340W - L, VP 1340W - LL, VP 1340W - LF, VP 1550, VP 1550W
- Numéro de référence du matériel:
0008705, 0008706, 0630001, 0630002, 0630003, 0008707, 0008708, 0630013
- Puissance installée nette :
VP 1340, VP 1340W, VP 1340W - L, VP 1340W - LL, VP 1340W - LF, VP 1550, VP 1550W 4,2kW

A été mis à l'épreuve conforme aux dispositions de la directive 2000/14/CEE:

Procédé pour l'épreuve de conformité	Organisme agréé	Niveau de puissance acoustique fixé	Niveau de puissance acoustique garanti
ANNEXE VI	VDE-Prüf- und Zertifizierungsinstitut Zertifizierungsstelle Merianstraße 28 63069 Offenbach/Main	VP 1340/W 104 dB(A) VP 1340W - L 104 dB(A) VP 1340W - LL 104 dB(A) VP 1340W - LF 104 dB(A) VP 1550/W 105 dB(A)	VP 1340/W 108 dB(A) VP 1340W - L 108 dB(A) VP 1340W - LL 108 dB(A) VP 1340W - LF 108 dB(A) VP 1550/W 108 dB(A)

- Cette machine est conforme aux dispositions pertinentes de la Directive sur les machines 2006/42/CE et également produite conformément à ces normes :

**2000/14/EC
2004/108/EC
EN 500-1
EN 500-4**

Heinz Gengnagel
President & CEO

23.12.09

Date

WACKER NEUSON CORPORATION

Cette déclaration de conformité CE est une traduction du certificat d'origine.

