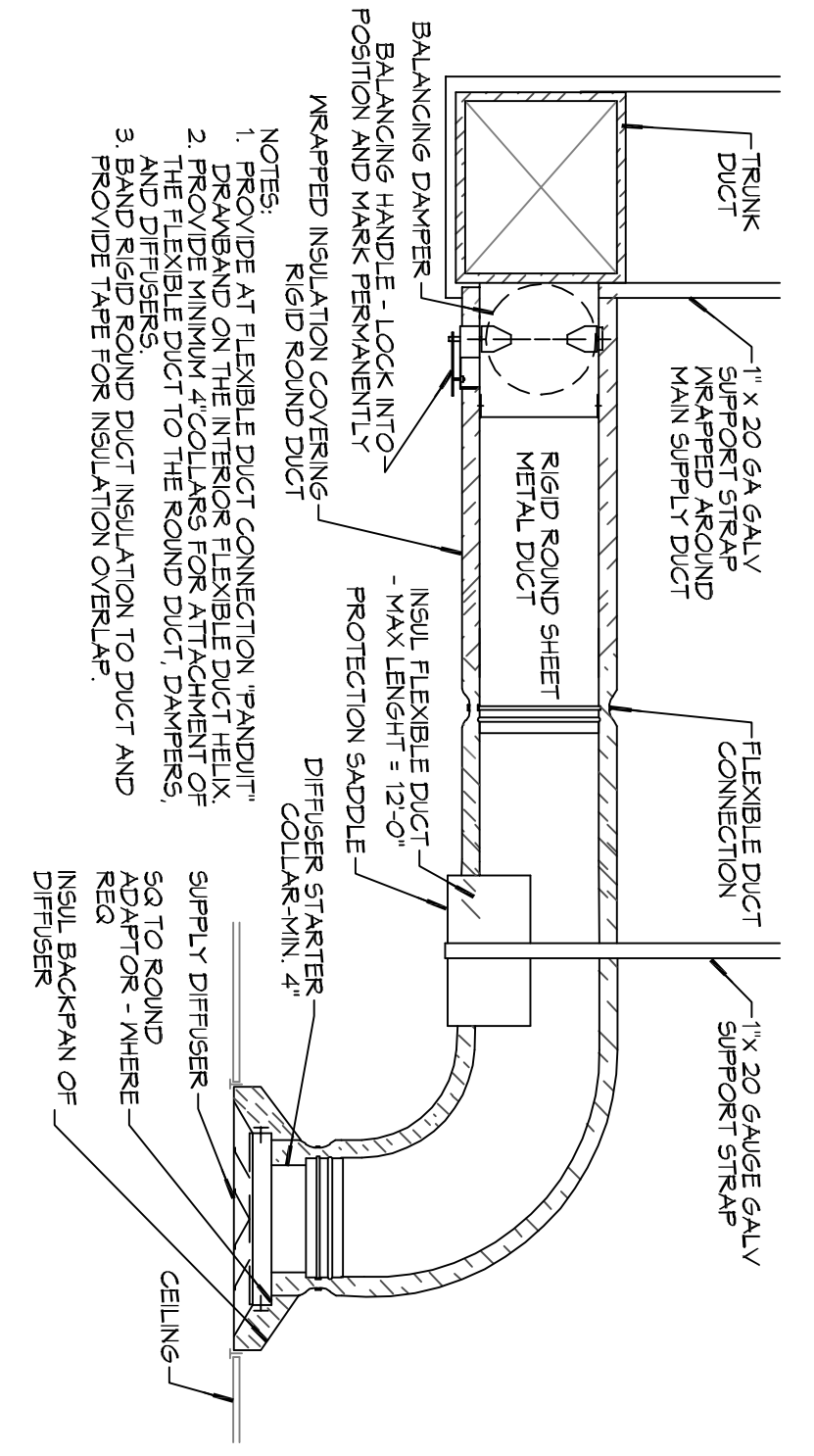


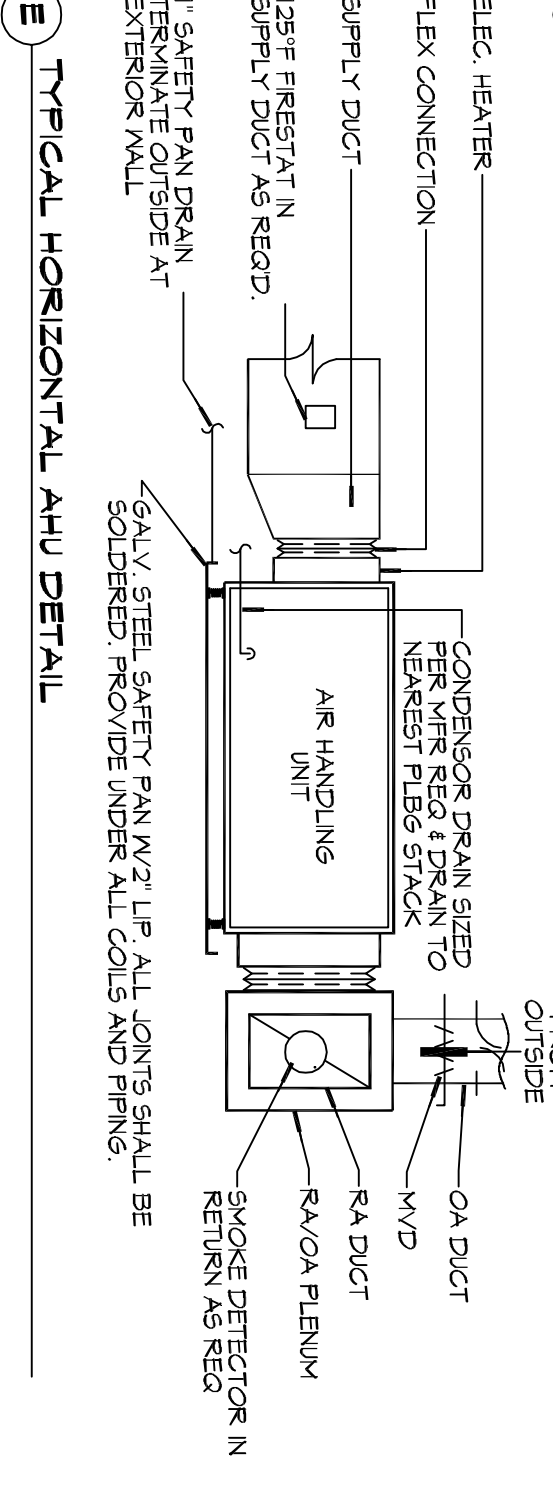
AIR HANDLERS		SYSTEM SCHEDULE	
TAG	Model	NOMINAL TONS	TOTAL CFM
AH-1	TEMPACQ30	5	2020
AH-2	TEMPACQ30	5	2020
AH-3	TEMPACQ32	3-1/2	1290

Motor	ESP (\"W)	Supplement Heat (kW)	VAC	Hz	PH	MCA (1)	TAG	Make / Model	Make / Model	Make / Model	REMARKS	
3/4	0.5	7.2	208	60	1	52	C-1	41W500R1	208	60	1	36
3/4	0.5	7.2	208	60	1	52	C-2	41W500G1	208	60	1	36
1/2	0.4	3.6	208	60	1	27	C-3	41W500D2	208	60	1	23

NOTES:
 (1) INSULATED BLINDERS, OVERHUNG MOTOR, AIRS.
 (2) INSTALL UNITS / DUCTWORK IN ACCORDANCE WITH ASHRAE, SMACNA AND MANUFACTURER'S RECOMMENDATIONS.
 (3) FURNISH WITH WIRED 24 / 7 THERMOSTAT AND LOCKABLE COVER.

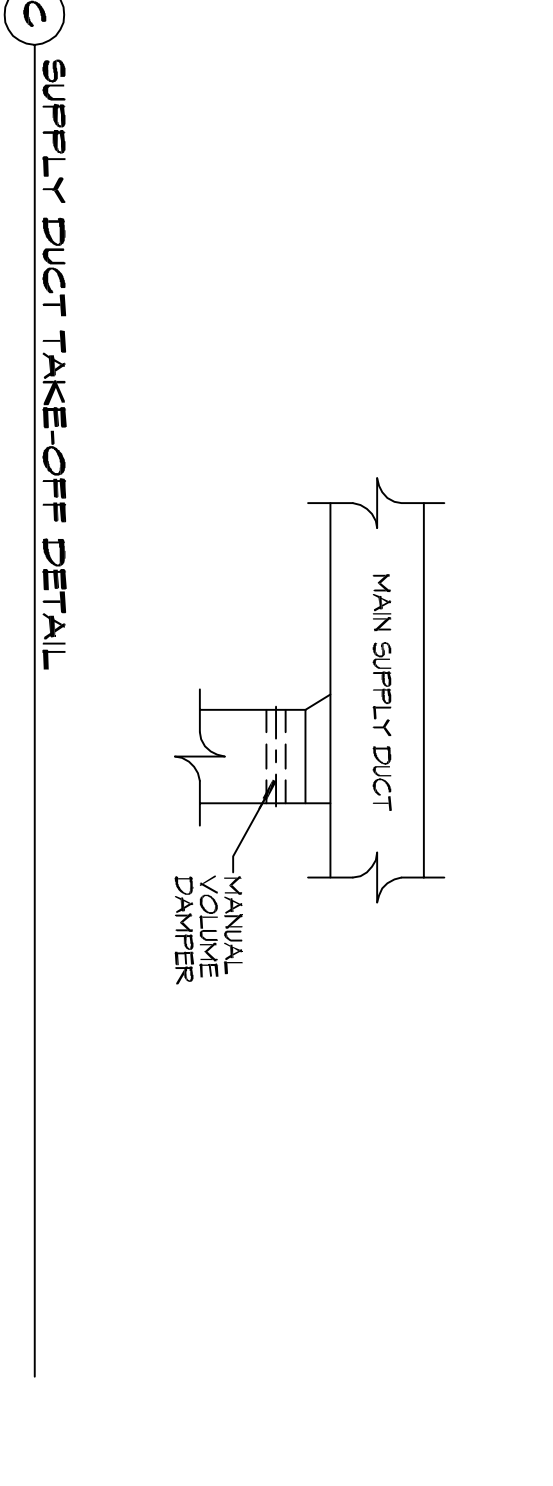


F DIFFUSER CONNECTION DETAIL - FLEX DUCT



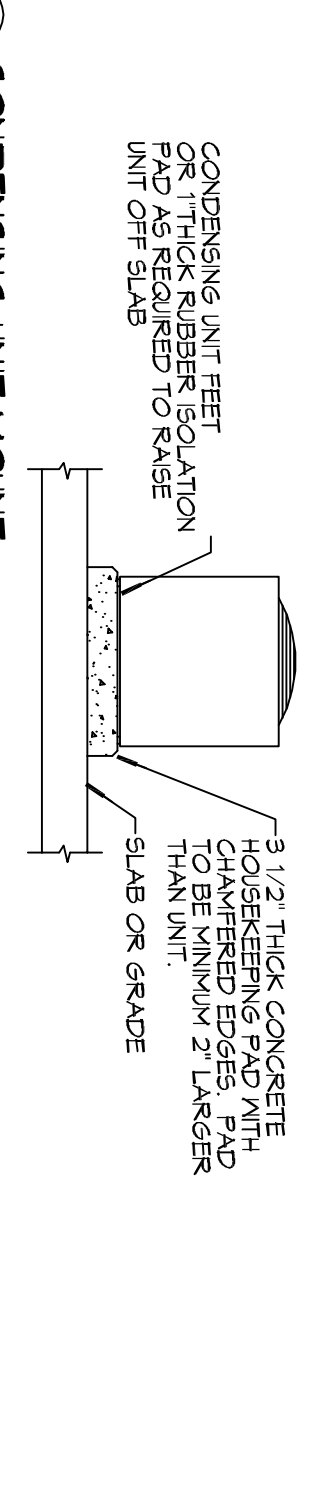
E TYPICAL HORIZONTAL AHU DETAIL

D SQUARE ELBOW DETAIL



C SUPPLY DUCT TAKE-OFF DETAIL

B DUCT SPLITTERS DET

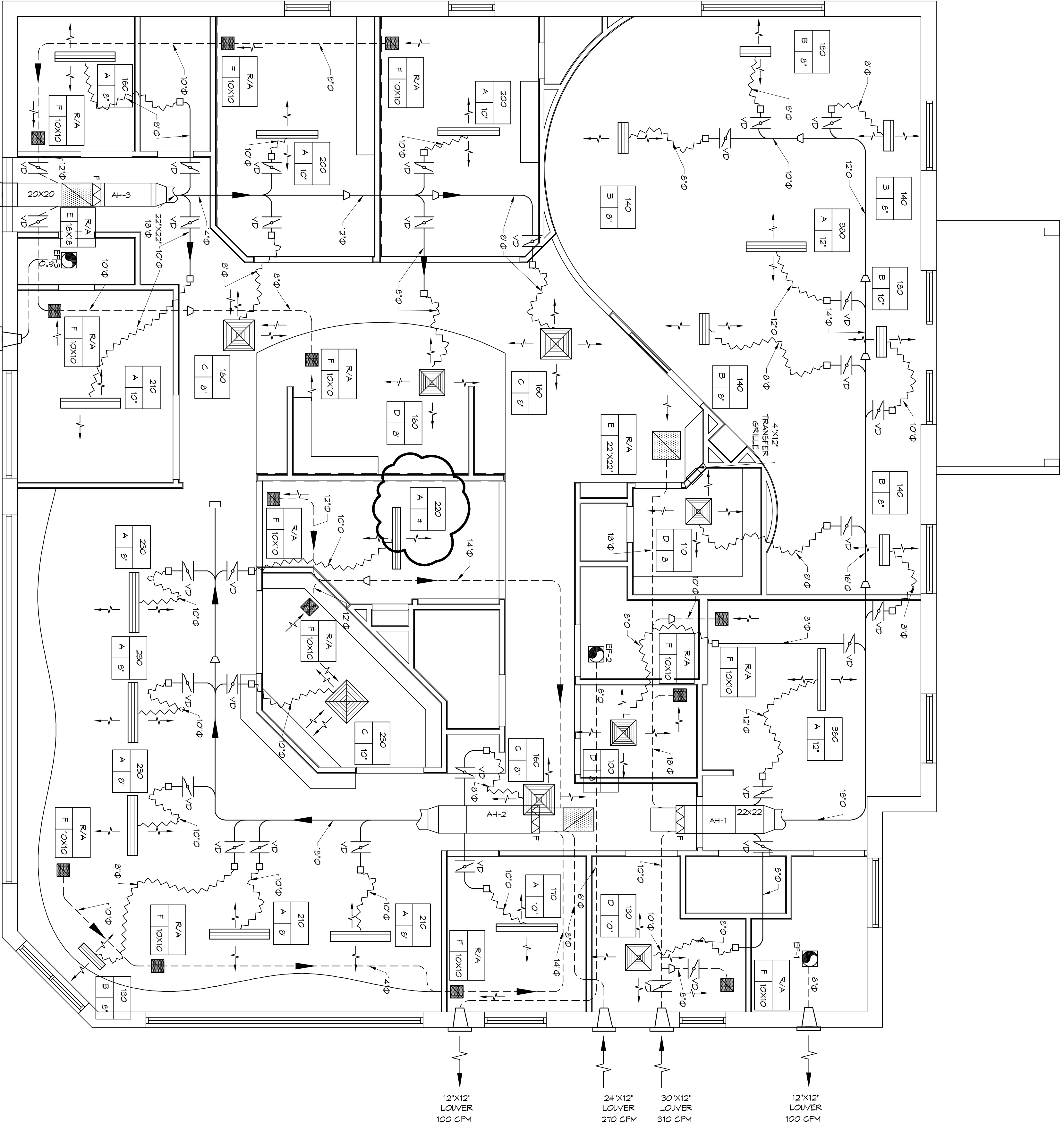


A CONDENSING UNIT MOUNT

DETAILS
SCALE: NTS

TAG	TYPE	DESCRIPTION	OPTIONS
A	4\"/>		
B	2\"/>		
C	24\"/>		
D	24\"/>		
E	24\"/>		

DIFFUSER SCHEDULE



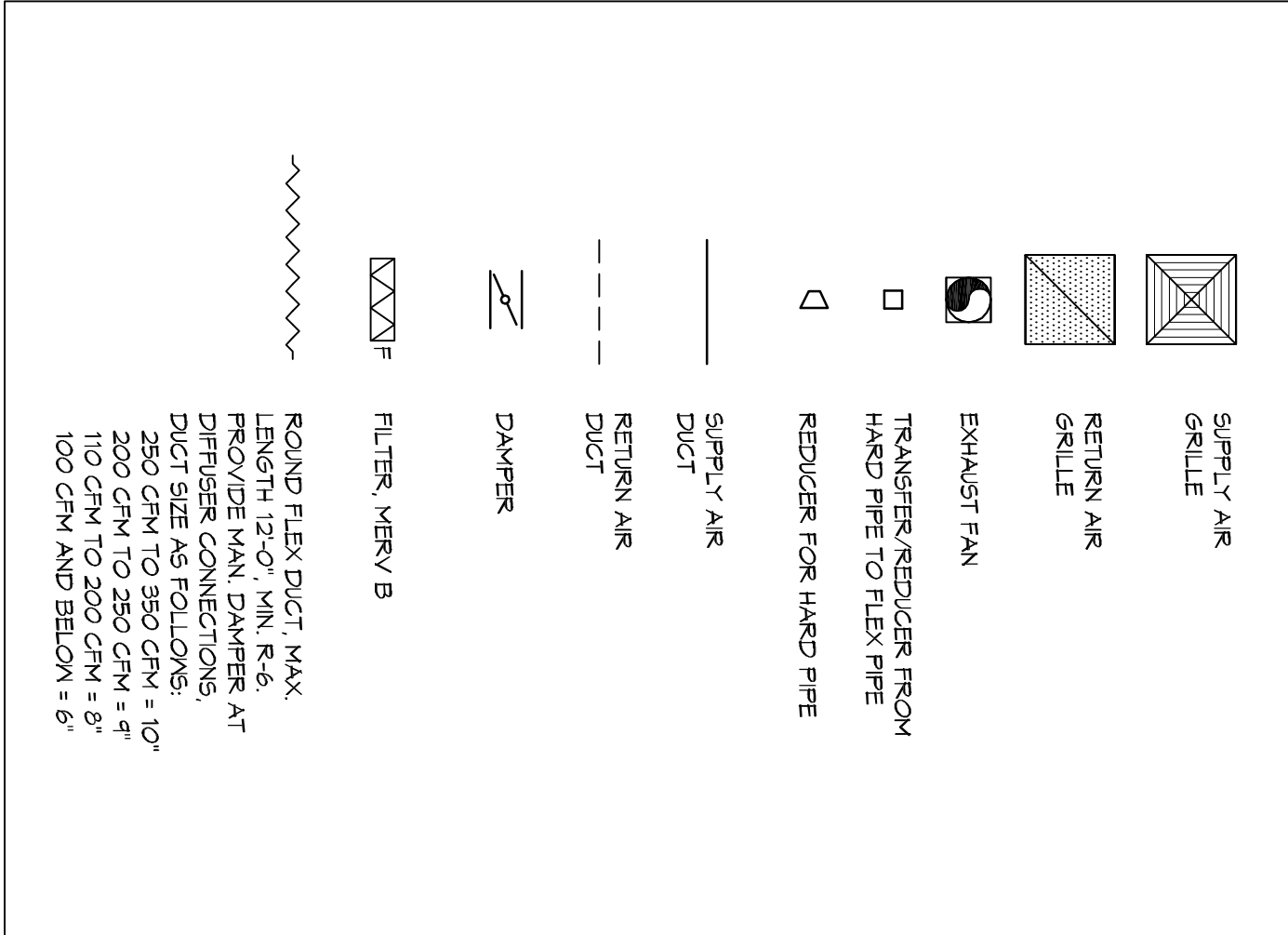
NOTE: AIR EXHAUST AND INTAKE OPENINGS THAT TERMINATE RESISTANT SCREENS, LOUVERS OR GRILLES PROTECTED AGAINST LOCAL WEATHER CONDITIONS. EXHAUST GRILLES TO BE A MINIMUM OF 10'-0" FROM AIR INTAKES.

MECHANICAL FLOOR PLAN
SCALE: 3/16"=1'-0"

GENERAL HVAC NOTES

- CONCEALED DUCTWORK TO BE GALVANIZED SHEET METAL LINED WITH FIBROGLASS GLASS DUCT LINER, MIN. R-6, INSTALLED PER SMACNA STANDARDS.
- EXPOSED DUCTWORK TO BE GALVANIZED SHEET METAL LINED WITH FIBROGLASS GLASS DUCT LINER, MIN. R-6, INSTALLED PER SMACNA STANDARDS.
- ROUND FLEXIBLE DUCT TO BE UL-181, CLASS 1, AIR DUCT MATERIALS.
- DUCT SIZES SHOWN ARE CLEAR INSIDE DIMENSIONS.
- IN ALL SYSTEMS OVER 2000 CFM AND LESS THAN 15,000 CFM, SMOKE DETECTORS SHALL BE INSTALLED IN ACCORDANCE WITH NFPA 12E IN THE RETURN DUCT DOWNSTREAM OF THE AIR HANDLING UNIT AND ALL FILTERS TO AUTOMATICALLY STOP THE FAN.
- PROVIDE UL LISTED 125 F. FRESH AIR RETURN AIR OF EACH SYSTEM UNDER 2000 CFM TO SHUT DOWN THE FAN IN THE EVENT OF FIRE.
- PROVIDE UL RATED FIRE DAMPERS WHERE REQUIRED AT ALL DUCT PENETRATIONS OF FIRE RATED ASSEMBLIES AND WHERE REQUIRED BY CODE, INCLUDING OUTSIDE AIR INTAKES AND EXHAUST FANS.
- CONDENSATE DRAINS TO BE PVC PIPE RUN TO PLUMBERS P-TRAAP WITHIN FIVE FEET OF AIR HANDLING UNITS.
- ALL AIR HANDLING SYSTEMS TO BE BALANCED TO ASSURE PROPER AIR FLOW PER PLANS.
- ALL THERMOSTATS TO BE AUTOMATIC CHANGEOVER WITH HEAT SWITCH.
- EXHAUST FAN SHALL BE CONTROLLED BY A SWITCH ON THE WALL IN THE SAME LOCATION AS LIGHT SWITCHES). PROVIDE BACK DRAFT DAMPER.
- PROVIDE AND INSTALL WATER PROOF GILLES VENT IN PROPER ROOF LOCATION FOR PLUMBING FIXTURE EXHAUST.
- ALL SUPPLY AIR VENTS SHALL BE EQUIPPED WITH AIR CONTROL DAMPERS AT THE REGISTER.
- LOCATE OUTDOOR UNITS AS SHOWN ON ARCHITECTURAL DRAWINGS.
- REFRIGERANT LINES SHALL BE SEED BY UNIT MANUFACTURER AND INSTALLED ACCORDING TO MANUFACTURER'S INSTRUCTIONS.
- FRESH AIR SHALL BE SUPPLIED TO EACH AIR HANDLER THROUGH EXTERIOR WALL DUCT SUPPLIED WITH A CONTROL DAMPER.
- ALL ELECTRICAL, MECHANICAL, AND PLUMBING PENETRATING FIRE WALLS SHALL BE FIRE CALLED. (PENETRATING THROUGH RATED CONSTRUCTION SHALL BE SEALED WITH A VERTICAL, CARBIDE OF PENETRATING THE PASSAGE OF FLAMES AND HOT GASES WHEN TESTED IN ACCORDANCE WITH ASTM E-814).
- ALL MECHANICAL SYMBOLS ARE DRAWN PARAMOUNTALLY. REGISTER, ETC. VENT WITH OWNER LOCATIONS OF VENTS, DAMPERS, REGISTER, ETC.
- FLEXIBLE DUCTWORK LENGTH NOT TO EXCEED 12'-0".
- SEPER TO REGISTER CEILING PLUMB FOR FINAL GRILLE AND DIFFUSER FROM DUCT AND COMPENSATE AS REQUIRED.
- PROVIDE AIR FLOW COMPENSATIVE CONTROLS TO BE COMPENSATED WITH OWNER AT JOB SITE.
- PROVIDE AIR INTAKE SHOCK DETECTORS AS APPROVED BY LOCAL AGENCIES. PLACE NEAR R/A AND S/A OPENINGS OF AHU AND PROVIDE WITH ACCESS PANEL, RINGS BY ELECTRICAL CONTRACTOR.
- FRESH AIR INTAKES ARE REQUIRED TO HAVE NOTICED OR GRANTY DAMPERS TO SHUT OFF WHEN SYSTEM IS NOT RUNNING.
- PROVIDE BIRD SCREENS AT ALL EXTERIOR MECHANICAL PENETRATIONS.
- CONGRUATE WALL MOUNTED THERMOSTAT LOCATIONS WITH ALL OWNER FURNISHED THERM EITHER WALL MOUNTED OR FLOOR MOUNTED AGAINST PARTITIONS. REFER TO ARCHITECTURAL DRAWINGS.
- SEE ROOF PLAN FOR ALL ROOF PENETRATIONS.
- PROVIDE MIN. 18 GA. GALVANIZED SHEET METAL TO BLANK-OFF GALE VENTS WHERE INTAKE/EXHAUST DUCTS OCCUR.

LEGEND



EXHAUST	LOCATION	CFM	VOLTAGE	TYPE	MANUFACTURER
EF-1	TOILET	100	120	VENT	BROAN OR EQUAL
EF-2	TOILET	100	120	VENT	BROAN OR EQUAL
EF-3	TOILET	100	120	VENT	BROAN OR EQUAL

EXHAUST FAN SCHEDULE

DENTAL OFFICE FOR
DUSTIN
OUT PARCEL
MALLETT ROAD
D'BERVILLE, MS

JOB No: 2398 DATE: 05-04-2018
DRAWN BY: CKD CHECKED BY: CKD

MECHANICAL FLOOR PLAN, SCHEDULES AND DETAILS

DRAWING NUMBER:
M101

SHEET No. 13 OF 114

DAMMON
ENGINEERING, INC.
LOUISIANA & MISSISSIPPI

Chief Engineer: Brian Mistich, PE
554 Old Spanish Trail
Sudley, LA 70458

www.dammonengineering.com
info@dammonengineering.com
PH: 985.649.5832

REVISIONS	DATE
# DESCRIPTION	