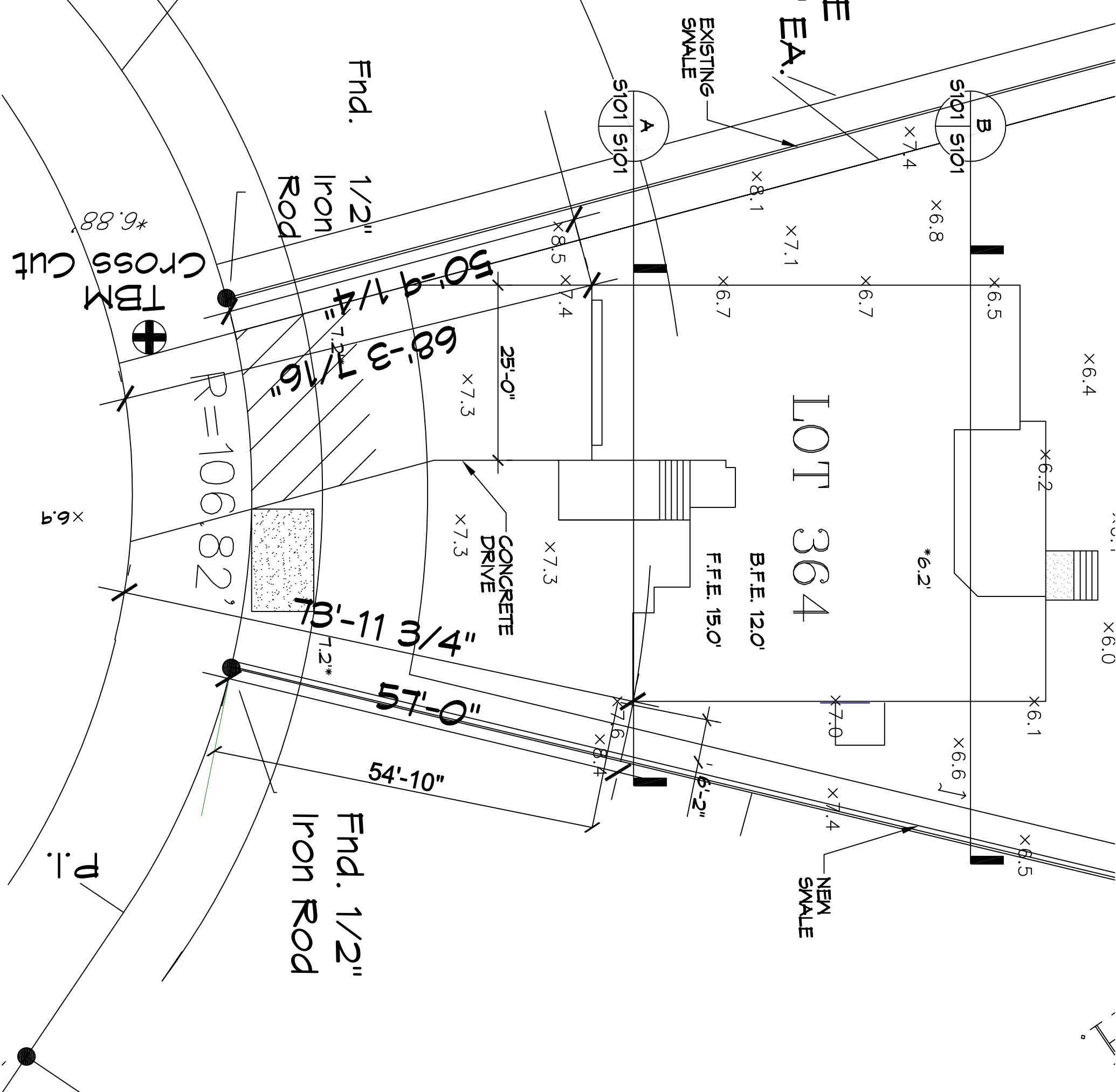


0' DRAINAGE  
EASEMENT 5' EA.  
SIDE

TILITY  
EASEMENT



LOT 364

F.F.E. 15.0'  
B.F.E. 12.0'

CONCRETE  
DRIVE

EXISTING  
SWALE

NEW  
SWALE

Fnd. 1/2"  
Iron Rod

Fnd. 1/2"  
Iron Rod

R=106.82'

Cross Cut  
TBM

3, 3, 3, 3