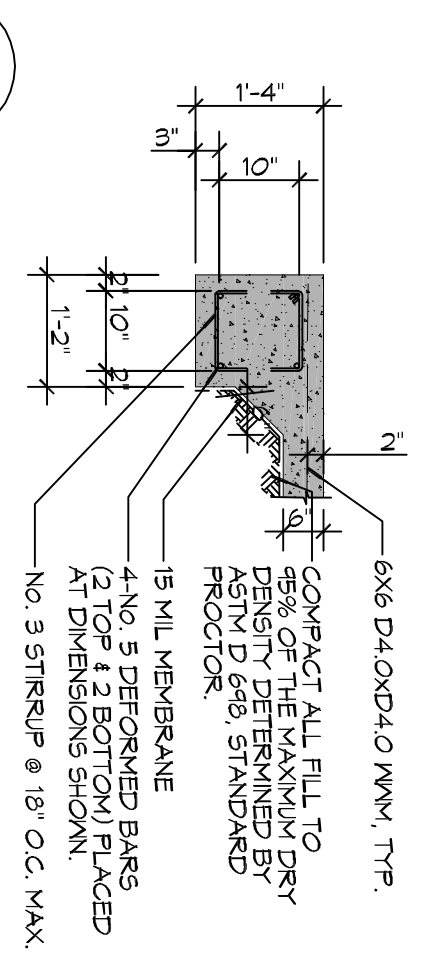
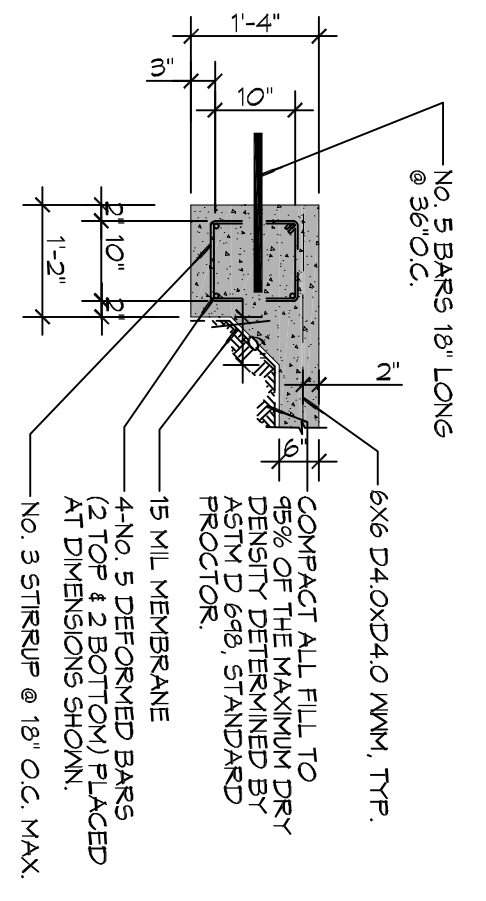


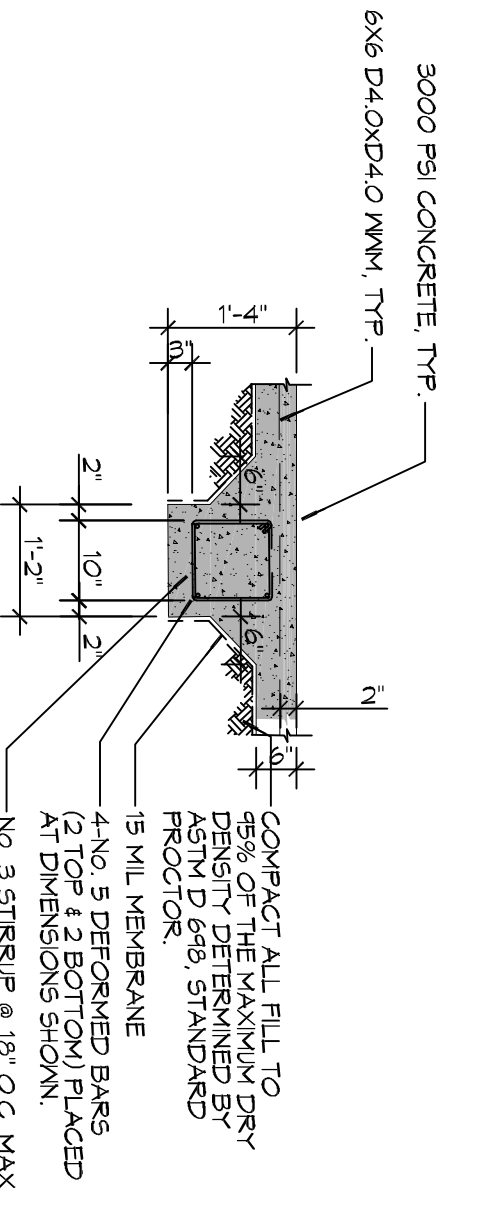
1 FOUNDATION PLAN
SCALE: 1/2" = 1'-0"



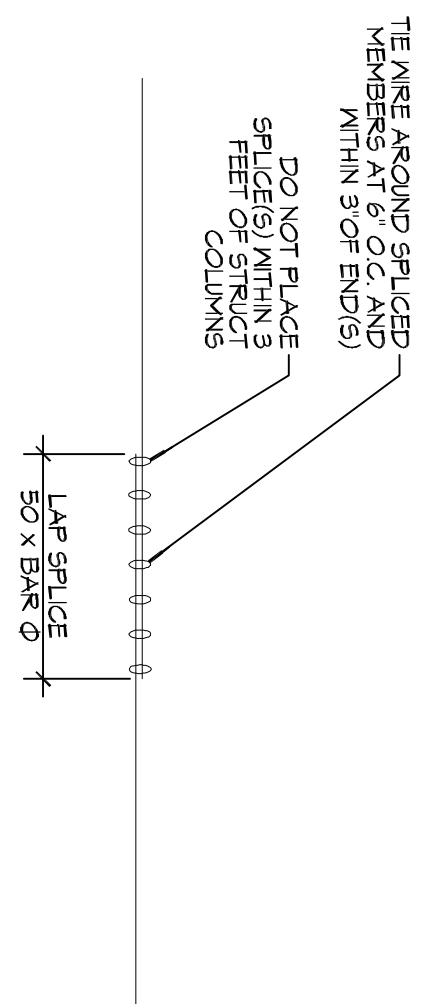
A SECTION
SCALE: 1/2" = 1'-0"



B SECTION
SCALE: 1/2" = 1'-0"



C SECTION
SCALE: 1/2" = 1'-0"



2 DETAIL
SCALE: 1/2" = 1'-0"

FOUNDATION NOTES

1. ALL DIMENSIONS ARE EDGE OF CONCRETE (EOC) TO EDGE OF CONCRETE (EOC) UNLESS NOTED OTHERWISE.
2. VERIFY ALL FINISHING ROUGH-IN LOCATIONS ON ARCHITECTURAL DWGS.
3. CONCRETE MIX SHALL HAVE A MINIMUM COMPRESSIVE STRENGTH OF 3000 PSI AT 28 DAYS. CONCRETE MIX SHALL BE IN ACCORDANCE WITH ACI-318.
4. ALL CONVENTIONAL REINFORCING STEEL SHALL MEET ASTM-A615 (GRADE 60).
5. ONE LAYER OF POLYETHYLENE VAPOUR BARRIER SHALL BE PLACED UNDER ALL CONCRETE. VAPOUR BARRIER TO BE MINIMUM 10 MIL THICKNESS; ASTM E 1745 CLASS A. PERMEANCE LESS THAN 0.01 PERMS, EQUAL TO STENO INDUSTRIES STENO VAPOR BARRIER. EQUAL TO STENO OR EQUIVALENT IS BY FILTRON FILMS. PROVIDE APPROPRIATE ACCESSORIES FOR A COMPLETE SYSTEM.
6. ALL REINFORCING STEEL AND WELD SHALL BE SECURELY SUPPORTED TO PREVENT CRACKING AND HORIZONTAL MOVEMENT DURING CONCRETE PLACEMENT.
7. THE CONTRACTOR SHALL VERIFY ALL DROPS, OFFSETS, BRICK LEDGES, DIMENSIONS AND CONFIGURATIONS. CONTRACTOR MUST BE RESPONSIBLE FOR SAME.
8. GRADE BEAM DIMENSIONS MAY VARY BY +/- 5% +/- 20%.
9. ALL SOIL BELOW SLAB SHALL RECEIVE TERMITICIDE TREATMENT.

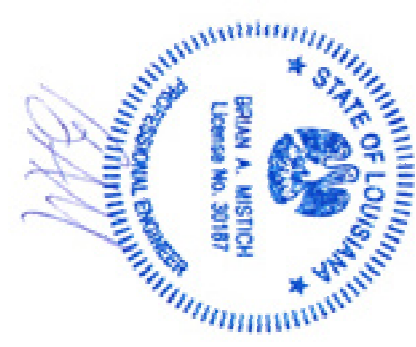
NOTE
IT IS MY PROFESSIONAL OPINION THAT THE FOUNDATION IS DESIGNED AND CONSTRUCTED TO MEET THE REQUIREMENTS OF THE 2012 IRC AND IS STRUCTURALLY SUFFICIENT FOR THE USE INTENDED.

REVISIONS		DATE
#	DESCRIPTION	



554 Old Spanish Trail
Slidell, LA 70458
PH: 985.649.5832

www.dammonengineering.com
info@dammonengineering.com
Fax: 985.641.5950



SHEET TITLE:
FOUNDATION PLAN

DRAWING NUMBER:
S101

619 BANNERWOOD DRIVE
GRETNA, LOUISIANA

JOB No: 2251 DATE: 10-13-16

DRAWN BY: CKD CHECKED BY: BAN

1 OF 1