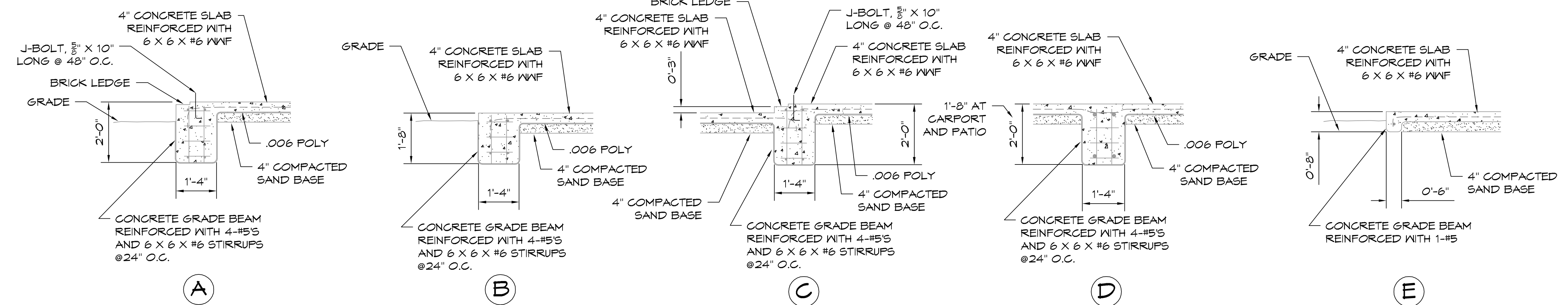


**FOUNDATION PLAN**

SCALE: 1/4" = 1'-0"

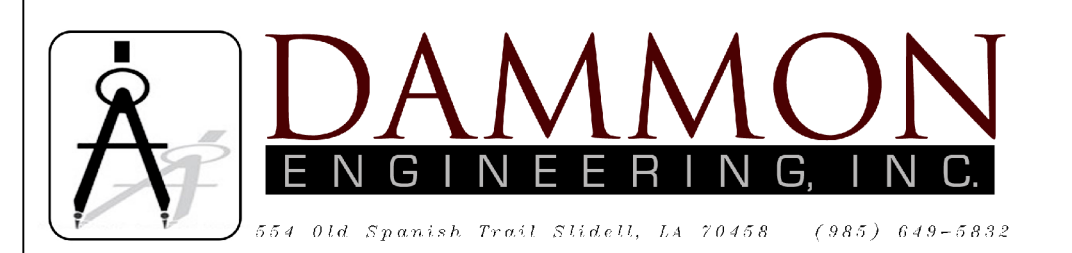


**FOUNDATION DETAILS**

SCALE: 1/2" = 1'-0"

**FOUNDATION NOTES:**

1. CONCRETE SHALL BE MIXED TO SUCH PROPORTIONS AS TO DEVELOP 3000-PSI COMPRESSIVE STRENGTH AFTER 28 DAYS. ALL REINFORCING BARS SHALL BE DEFORMED TYPE, ASTM A615 GRADE 60. REINFORCING BARS # MESH SHALL BE SUPPORTED ON CHAIRS OR BLOCKS EQUAL IN DENSITY TO THE CONCRETE BEING PLACED. REBAR INSERTED IN SOIL IS NOT PERMITTED.
2. INSTALL ALL REINFORCING BARS, CORNER TIE DOWNS, METAL INSERTS, ETC. PLUMB AND TRUE AND AT THE PROPER ALIGNMENT, LOCATION AND "ON-CENTER" DISTANCE FOR CORRECT FIELD ASSEMBLY. ALL PRE-MANUFACTURED METAL INSERTS SHALL BE INSTALLED PER THE MANUFACTURER'S SPECIFIC WRITTEN INSTRUCTIONS AND DIRECTIONS. ALL REINFORCING COMPONENTS SHALL BE ADEQUATELY BRACED SO AS NOT TO SHIFT WHILE PLACING THE CONCRETE.
3. INSTALL CORNER HOLD DOWNS AND ANCHOR BOLTS PER LOCAL REQUIREMENTS
4. ALL SOIL BELOW SLAB SHALL RECEIVE TERMITE TREATMENT.



A RESIDENCE FOR:  
**MR. WAYNE VENUS**  
SECTION 36, TOWNSHIP 8 SOUTH, RANGE 13 EAST ST. TAMMANY PARISH, LA.

SHEET	DATE: 5/19/2021	APPROVED BY:	DRAWN BY: ANTHONY E. FONGETI
1	PLOT PLAN AND FOUNDATION PLAN		
5	DRAWING NUMBER:		