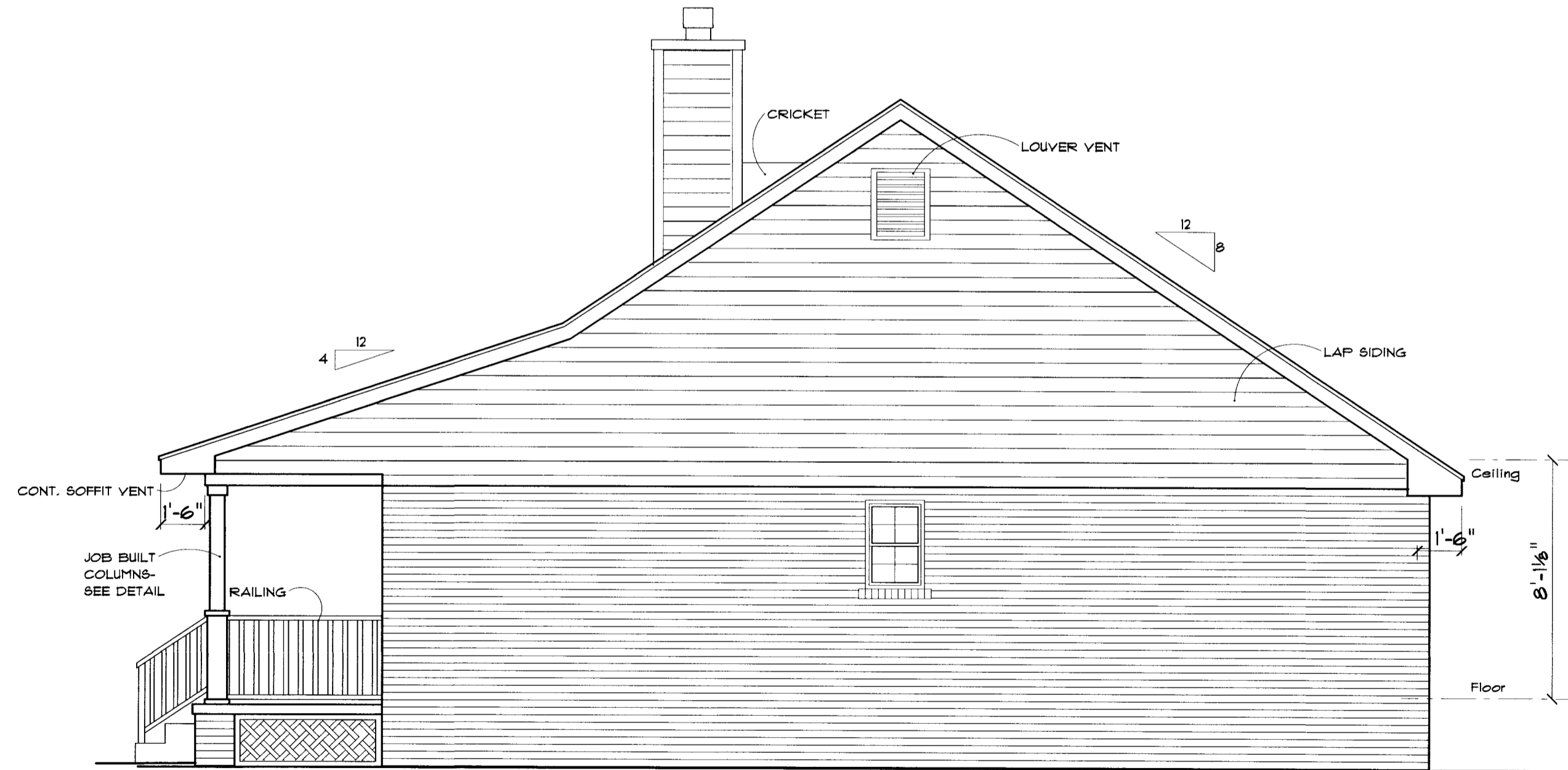


FACE OF BLOCK • PORCH IS
PAINTED FLAT BLACK W/ VINYL
LATTICE GLUED TO IT.

FRONT ELEVATION

1/4" = 1' = 0"



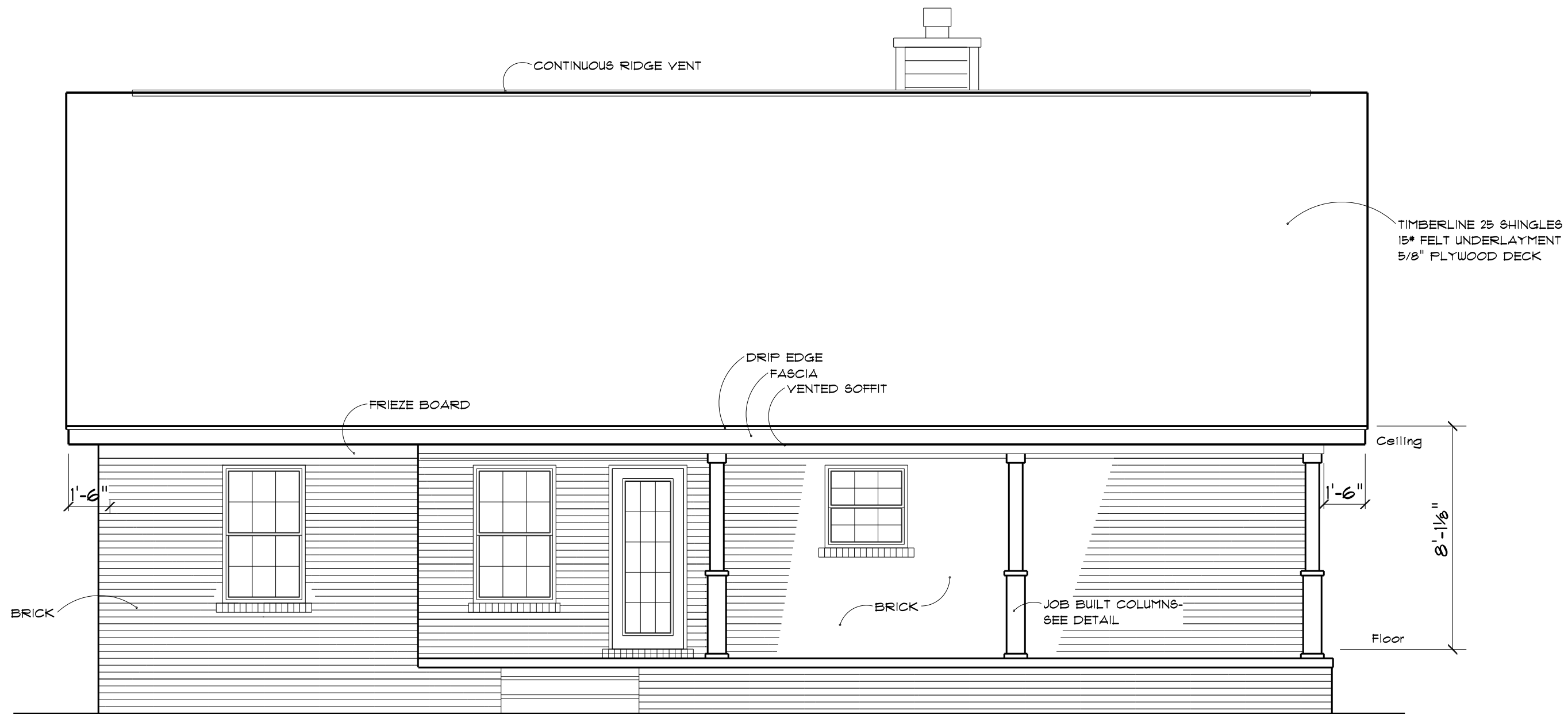
RIGHT SIDE ELEVATION

1/4" = 1' = 0"

© Copyright

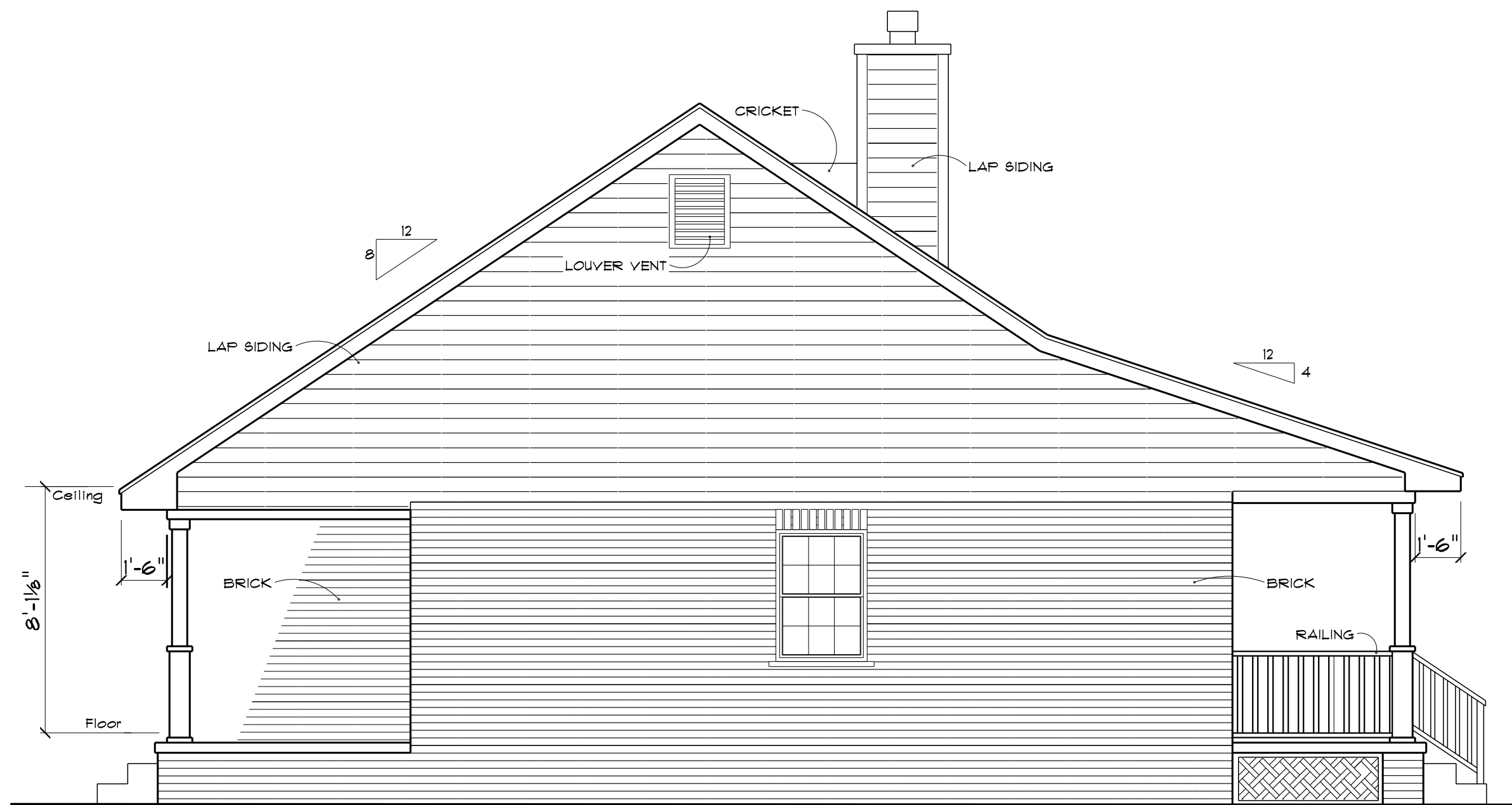
COPYRIGHT: This plan is copyrighted by the Library of Congress of the United States. It is illegal to reproduce these plans by any method. Copies of this plan may be obtained only through this office. No derivative may be made by making changes to the original design unless a written copyright release is obtained from this office. This plan may not be used to construct more than one house. - Vaughn A. Lauban

Plan 1277	Vaughn A. Lauban Designs, Inc.			Sheet 1 of 8
	<small>AMERICAN INSTITUTE OF BIDDING DESIGN</small> Residential Designing Light Commercial	4850 Gautier Vancleave Rd. Gautier, MS 39553	Phone: 228 497 7074 www.Lauban.com	



REAR ELEVATION

1/4" = 1' - 0"



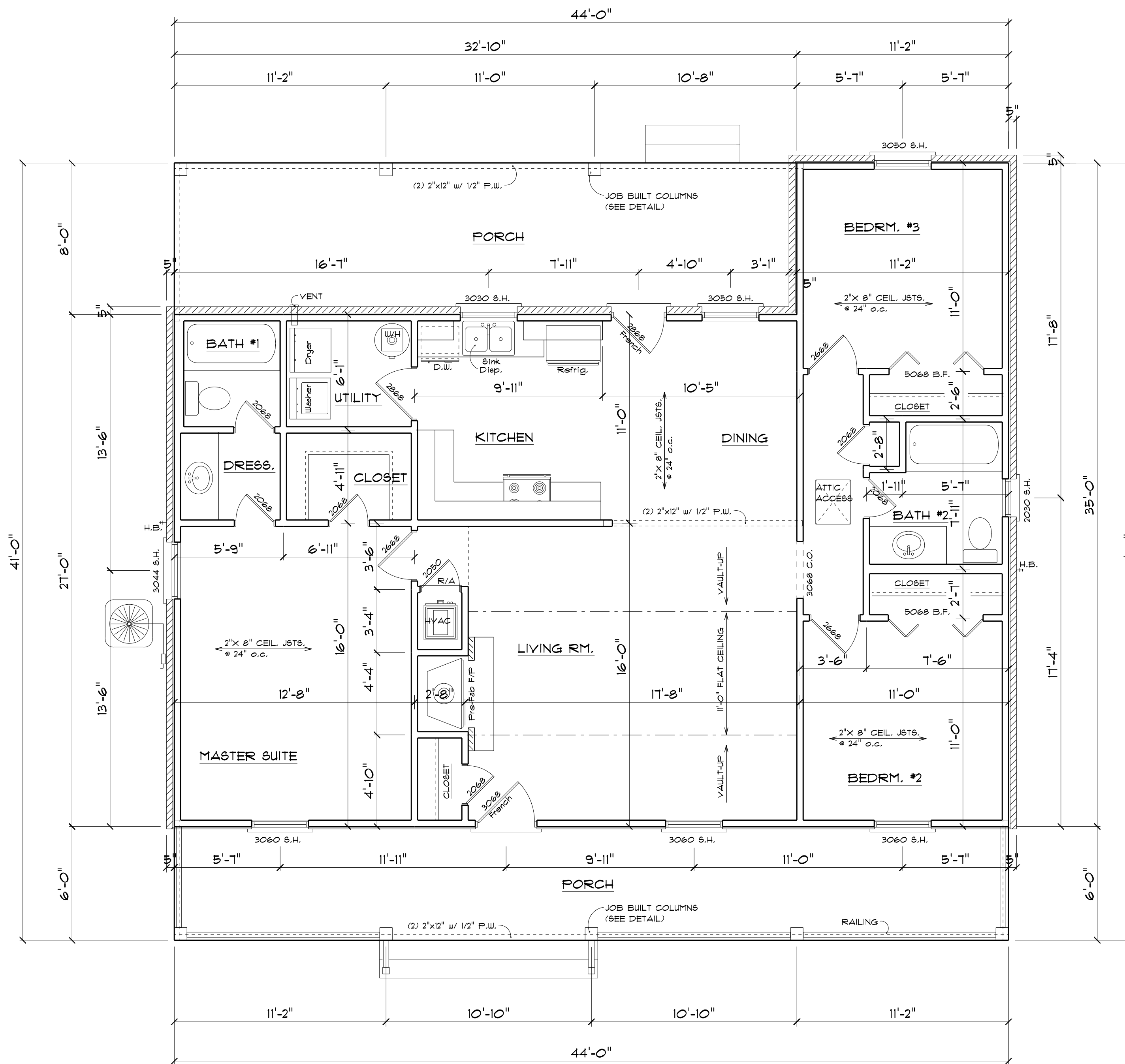
LEFT SIDE ELEVATION

1/4" = 1' - 0"

© Copyright

COPYRIGHT: This plan is copyrighted by the Library of Congress of the United States. It is illegal to reproduce these plans by any method. Copies of this plan may be obtained only through this office. No derivative may be made by making changes to the original design unless a written copyright release is obtained from this office. This plan may not be used to construct more than one house. -- Vaughn A. Lauban

Plan 1277	Vaughn A. Lauban Designs, Inc.		Sheet 2 of 8	
	<small>AMERICAN INSTITUTE AIBD DESIGN</small>	<small>Residential Designing Light Commercial</small>	<small>4850 Gautier Vancleave Rd. Gautier, MS 39553</small>	<small>Phone: 228 497 7074 www.Lauban.com</small>



AREAS:
 1271 S.F. HEATED O/ FL.
 521 S.F. PORCHES
 1804 S.F. GROSS

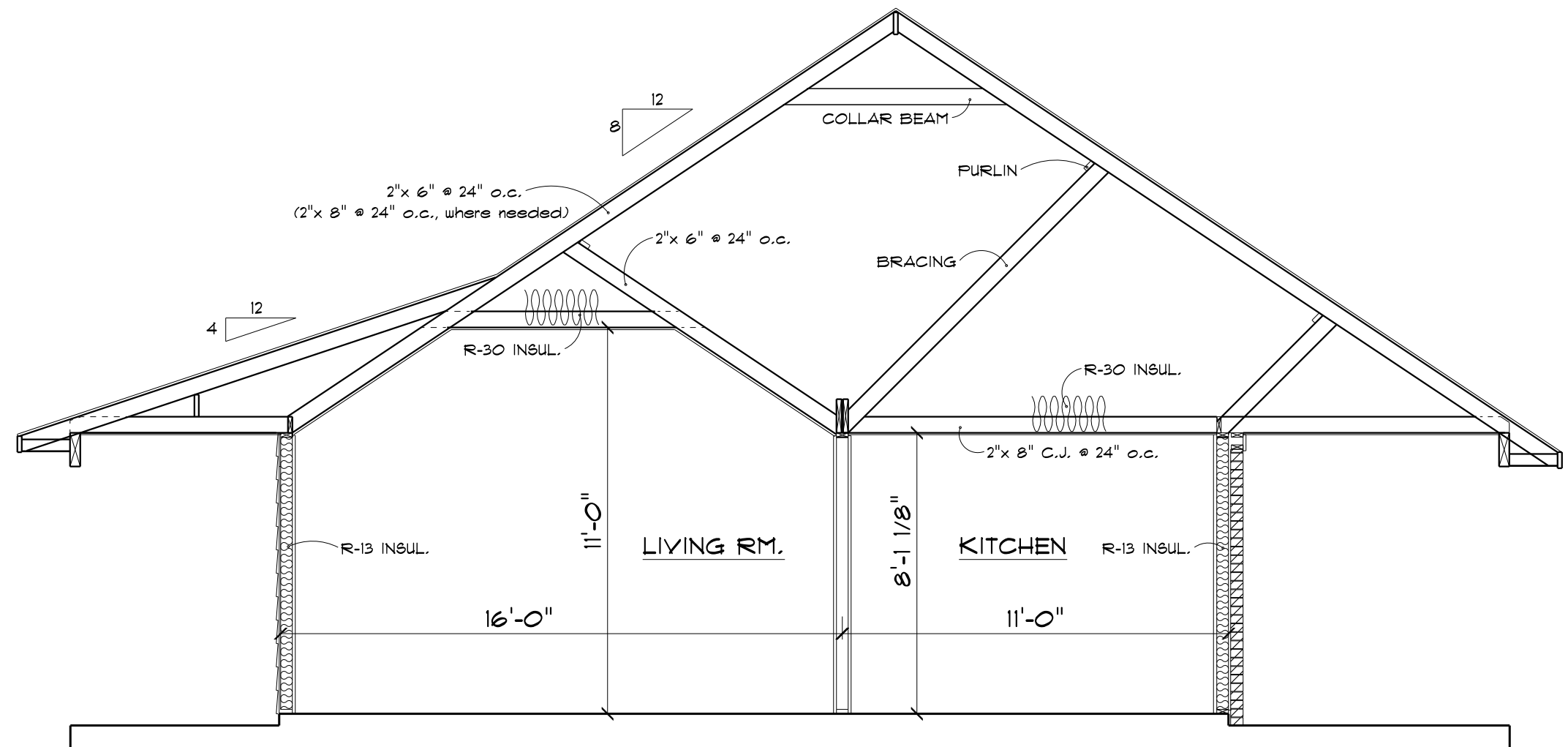
FLOOR PLAN

1/4" = 1' - 0"

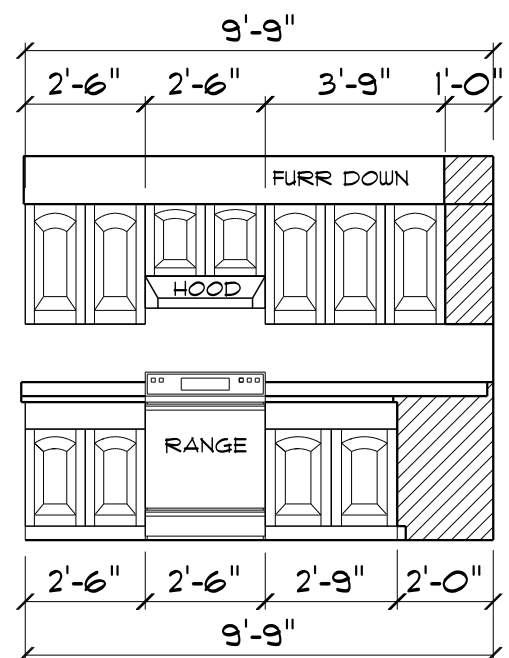
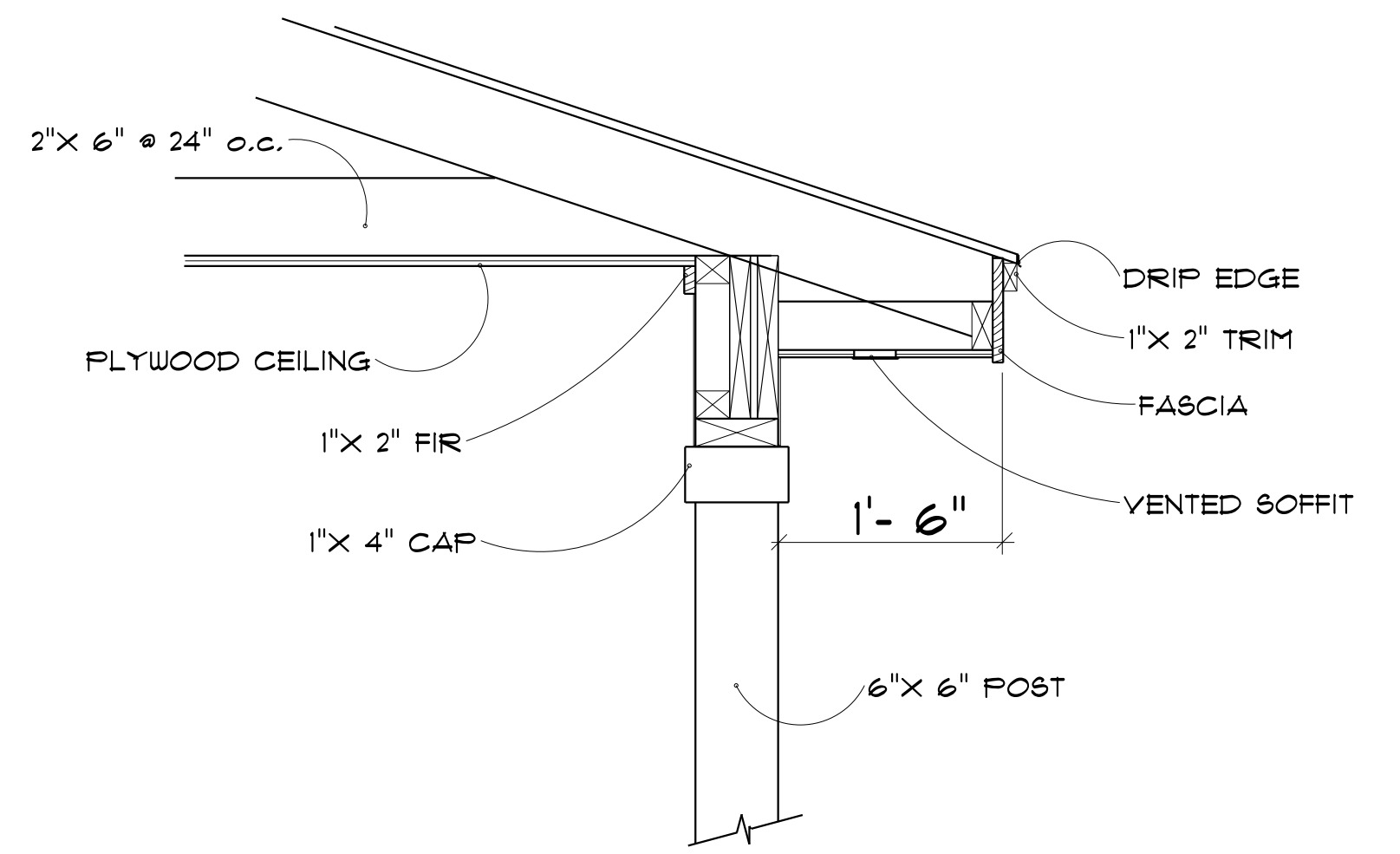
© Copyright

COPYRIGHT: This plan is copyrighted by the Library of Congress of the United States. It is illegal to reproduce these plans by any method. Copies of this plan may be obtained only through this office. No derivative may be made by making changes to the original design unless a written copyright release is obtained from this office. This plan may not be used to construct more than one house. -- Vaughn A. Lauban

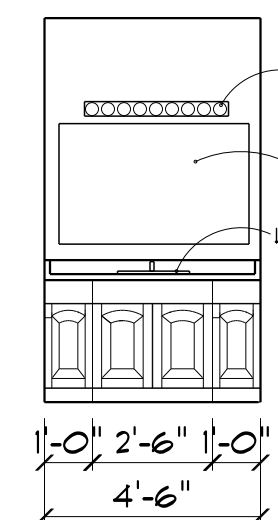
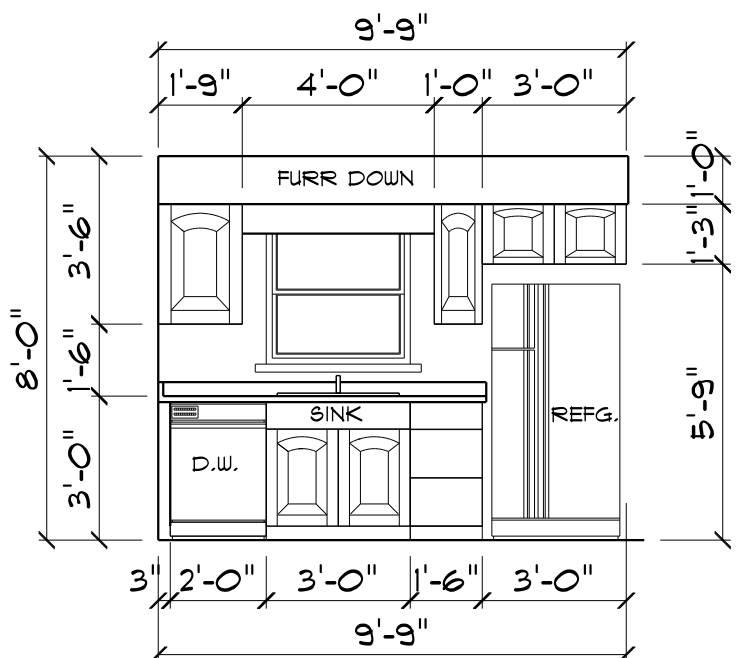
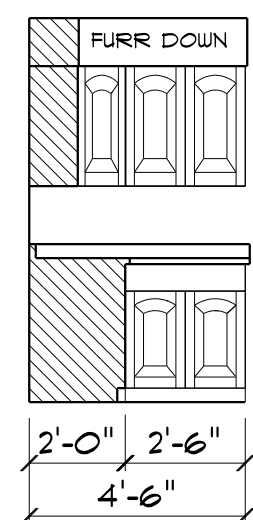
Plan 1277	Vaughn A. Lauban Designs, Inc.		Sheet 3 of 8	
	<small>INSTITUTE AIIBID <small>DESIGN</small></small>	<small>Residential Designing Light Commercial</small>		<small>4850 Gautier Vancleave Rd. Gautier, MS 39553</small>



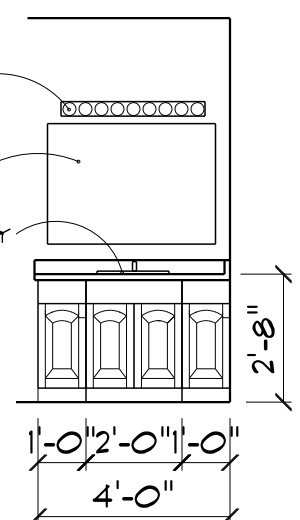
CROSS SECTION
1/4" = 1' 0"



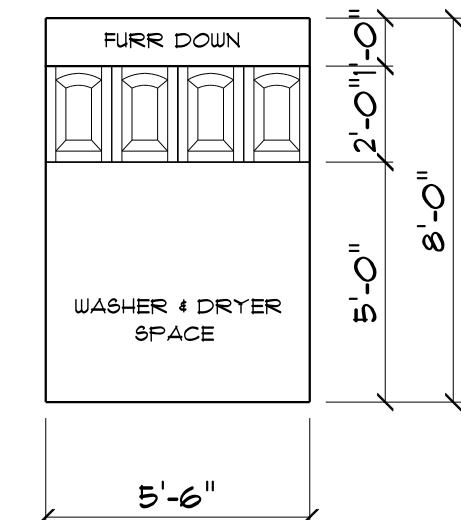
KITCHEN ELEVATIONS
1/4" = 1' 0"



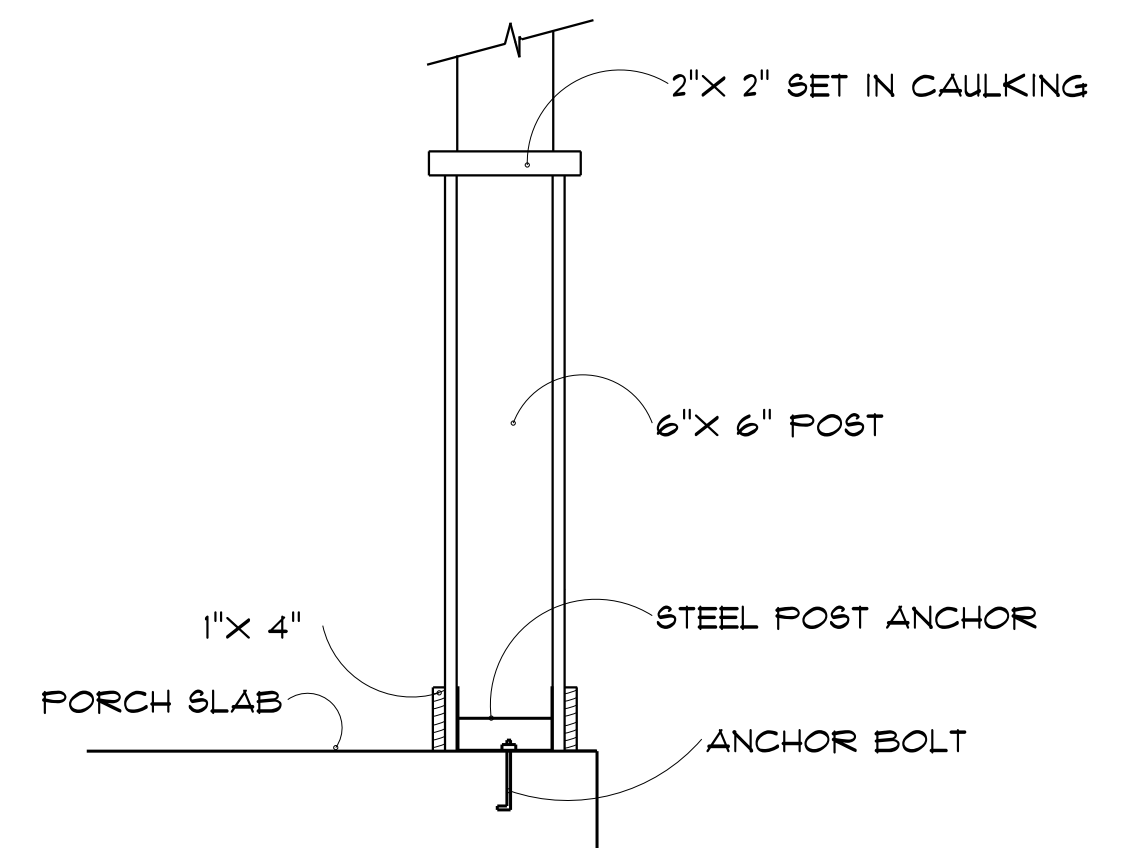
BATH #1



BATH #2



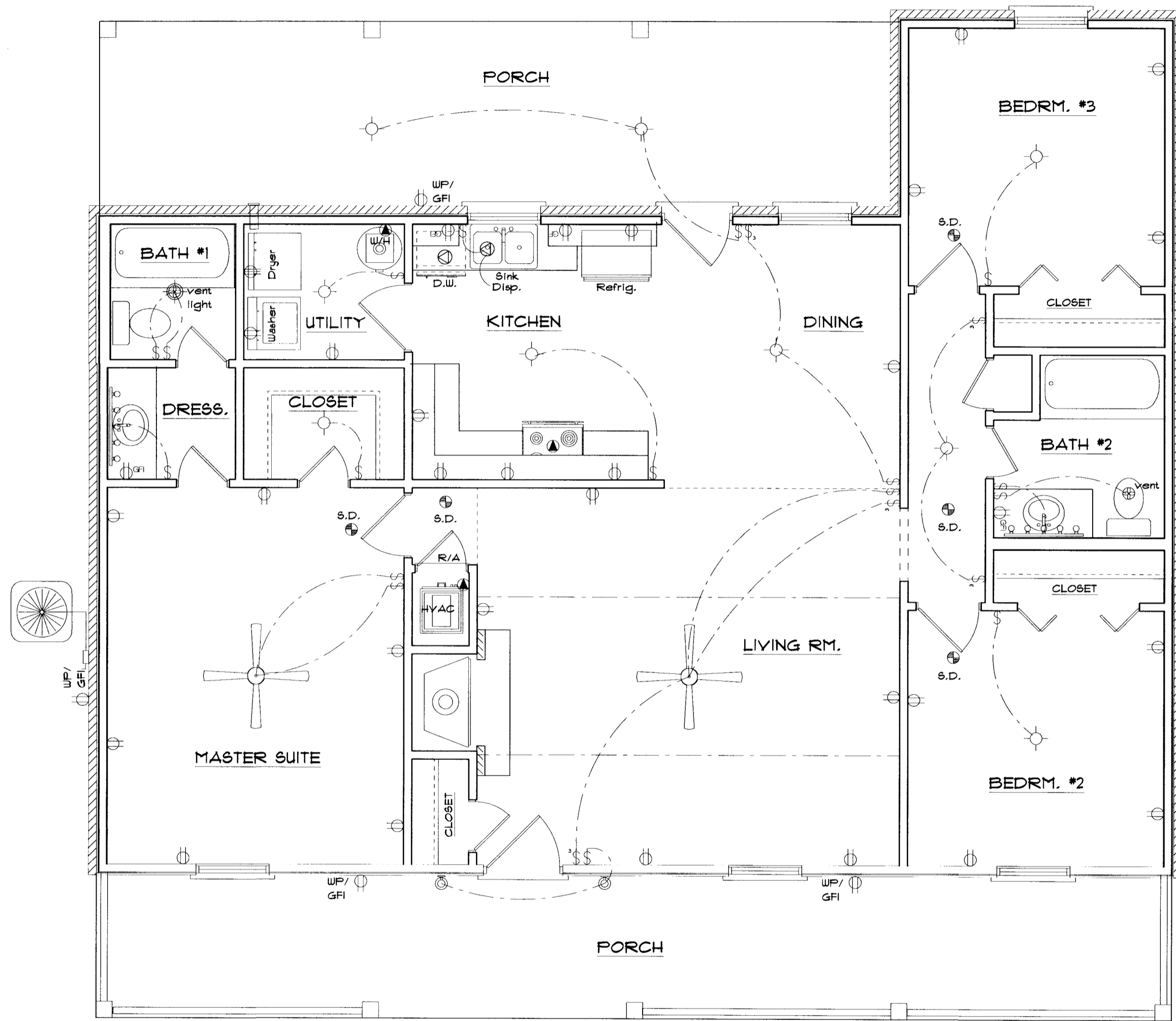
UTILITY RM.



COLUMN DETAIL
1" = 1' 0"

© Copyright
COPYRIGHT: This plan is copyrighted by the Library of Congress of the United States. It is illegal to reproduce these plans by any method. Copies of this plan may be obtained only through this office. No derivative may be made by making changes to the original design unless a written copyright release is obtained from this office. This plan may not be used to construct more than one house. -- Vaughn A. Lauban

Plan 1277	Vaughn A. Lauban Designs, Inc.			Sheet 4 of 8
	<small>INSTITUTE</small> ALL <small>DESIGN</small> <small>DESIGN</small>	Residential Designing Light Commercial	4850 Gautier Vancleave Rd. Gautier, MS 39553	



ELECTRICAL PLAN

1/4" = 1' - 0"

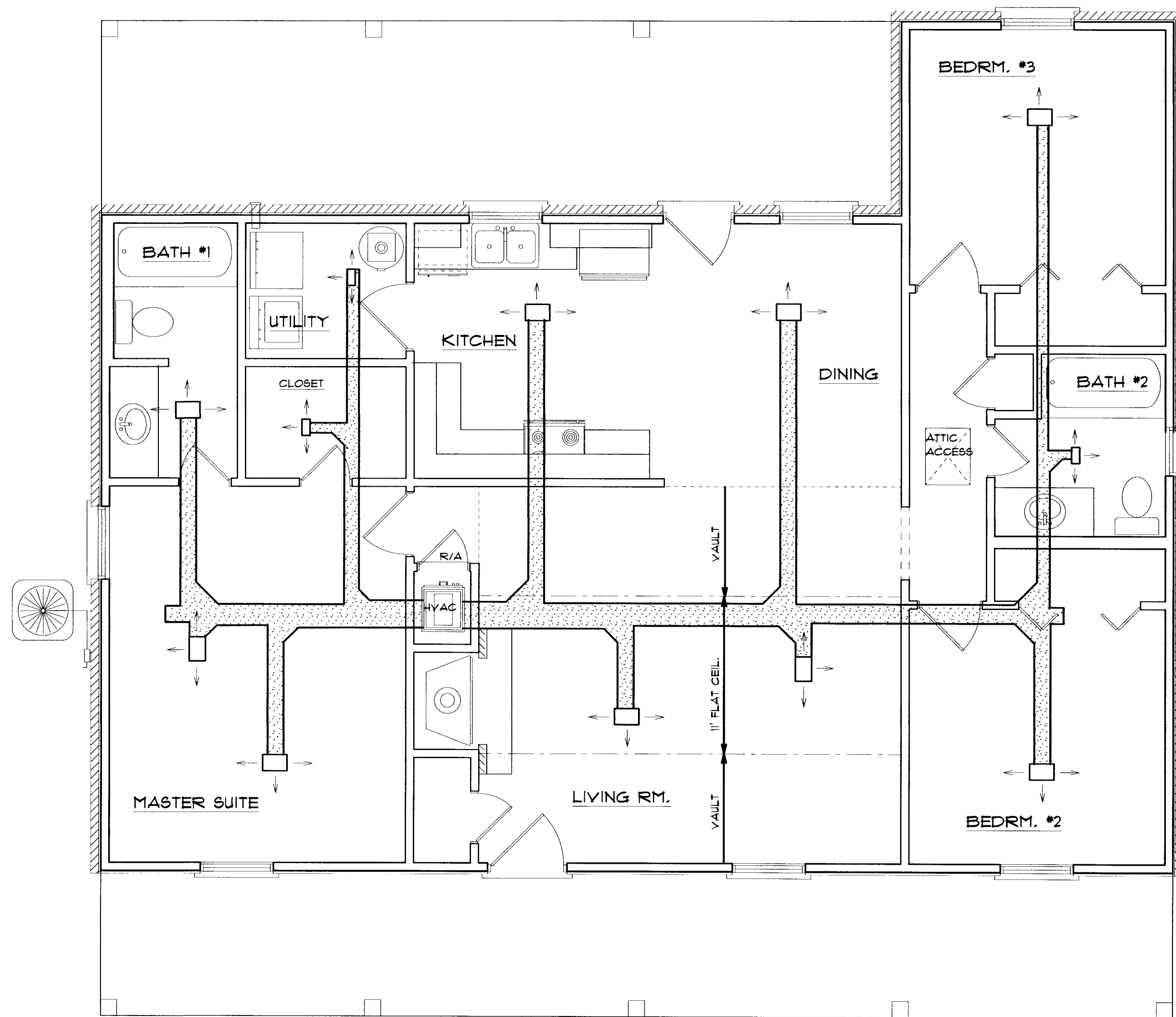
© Copyright

COPYRIGHT: This plan is copyrighted by the Library of Congress of the United States. It is illegal to reproduce these plans by any method. Copies of this plan may be obtained only through this office. No derivative may be made by making changes to the original design unless a written copyright release is obtained from this office. This plan may not be used to construct more than one house. - Vaughn A. Lauban

Plan
1277

Vaughn A. Lauban Designs, Inc. <small>INSTITUTE</small> AI <small>RESIDENTIAL</small> BID <small>DESIGN</small>		Residential Designing Light Commercial	4850 Gautier Vanclave Rd. Gautier, MS 39553	Phone: 228 497 7074 www.Lauban.com	<small>NAIHB</small> <small>NATIONAL ASSOCIATION OF HOME BUILDERS</small>

Sheet
7 of **8**



DUCT LAYOUT (SCHEMATIC)

THE GRILLE AND DUCT SIZES
INDICATED HERE ARE FOR
DESIGN CONCEPT, THE MEC-
HANICAL CONTRACTOR SHALL
ALL RESPONSIBILITIES FOR
ACTUAL SIZES AND INSTALLATIONS.

© Copyright

COPYRIGHT: This plan is copyrighted by the Library of Congress of the United States. It is illegal to reproduce these plans by any method. Copies of this plan may be obtained only through this office. No derivative may be made by making changes to the original design unless a written copyright release is obtained from this office. This plan may not be used to construct more than one house. -- Vaughn A. Lauban

Plan
1277

Vaughn A. Lauban Designs, Inc.

INSTITUTE
AIA
DESIGN

Residential Designing
Light Commercial

4850 Gautier Vancleave Rd.
Gautier, MS 39553

Phone: 228 497 7074
www.Lauban.com

NAHB
NATIONAL
ASSOCIATION
OF HOME
BUILDERS

Sheet
8 of **8**

MATERIAL LIST

PLAN NO. 1277

PAGE 2 of 5

CHAINWALL FOUNDATION (Optional)

QUANTITY	DESCRIPTION	UNIT	EXTENSION	NOTES
300 lf	2 x 4 #2 SYP			
100 lf	1 x 4 #2 SYP			
1 rl	Twine			
1 bx	Duplex Form Nails			
1 bx	50# 12d Sinkers			
80 ea	#5 Rebar			
1 ea	Roll Tie Wire			
40 ea	5/8" x 10" Anchor Bolt w/Nut & Washer			
43 ea	3 Rod Chairs			
15 ea	2 Rod Chairs			
400 ea	8 x 8 x 16 Blocks			
65 ea	8 x 8 x 16 Header Blocks			
16 ea	Bags Mortar Mix			
1800 lb	.006 Poly			
3 ea	Rolls 6 x 6 x 10 W.W. Mesh			

WALL FRAME

QUANTITY	DESCRIPTION	UNIT	EXTENSION	NOTES
1 ea	2 x 6 x 14 #2 Treated			
2 ea	2 x 6 x 14 #2 SYP			
20 ea	2 x 6 x 92-5/8 Studs			
8 ea	6 x 6 x 8 Treated #2 SYP			
3 rl	5 1/2 x 50' Sill Seal			
1 ea	Tube Silicone Caulk			
6 lb	2 3/4 Concrete Nails			
323 lf	2 x 4 Treated SYP			
360 ea	2 x 4 x 92-5/8 Studs			
1100 lf	2 x 4 R/L Const. Spruce			
2 bx	50# 12d C/C Sinkers			
11 ea	2 x 12 x 14 #2 SYP			
6 ea	2 x 6 x 14 #2 SYP			
152 ea	1" x 16" Plate Straps			
8 ea	1" x 24" Plate Straps			
1 bx	Small Red Chalk			

BEAMS, JOISTS, and RAFTERS

QUANTITY	DESCRIPTION	UNIT	EXTENSION	NOTES
2 ea	2 x 12 x 8 #2 SYP			
4 ea	2 x 12 x 12 #2 SYP			
6 ea	2 x 12 x 16 #2 SYP			
4 ea	2 x 12 x 18 #2 SYP			
4 ea	½" x 4 x 8 CDX			
4 ea	29 oz. Liquid Nail			
1 ea	12d C/C Sinker 50# Box			
18 ea	2 x 6 x 8 #2 SYP			
22 ea	2 x 8 x 10 #2 SYP			
49 ea	2 x 8 x 12 #2 SYP			
13 ea	2 x 8 x 14 #2 SYP			
25 ea	2 x 6 x 16 #2 SYP			
4 ea	2 x 6 x 18 #2 SYP			
25 ea	2 x 6 x 22 #2 SYP			
25 ea	2 x 6 x 24 #2 SYP			
50 ea	R/H Rafter Ties			
25 ea	L/F Rafter Ties			
90 ea	2 x 4 x 16 W.C Spruce			
2 ea	2 x 8 x 16 #2 SYP			
1 ea	2 x 8 x 18 #2 SYP			
84 ea	½" x 4 x 8 Roof Decking			
1 bx	½" Plyclips			
7 rl	15# Felt			
1 bx	7/8" Plasticap Nails			
55 pc	½" x 4 x 8 Structural Sheath			
1760 sf	Barricade House Wrap			
1 pc	¾" x 4 x 8 CDX			
3 pc	½" x 4 x 8 Drywall			

DOORS and WINDOWS

QUANTITY	DESCRIPTION	UNIT	EXTENSION	NOTES
2 ea	24" x 30" Wood Louvers			
1 ea	2868 15-Lite Steel Unit			
1 ea	3068 15-Lite Steel Unit			
3 ea	3060 9/16 S.H. Window w/Screen			
1 ea	3044 6/6 S.H. Window w/Screen			
1 ea	3030 6/6 S.H. Window w/Screen			
2 ea	3050 6/6 S.H. Window w/Screen			
1 ea	2030 4/4 S.H. Window w/Screen			

INTERIOR DOORS and TRIM

QUANTITY	DESCRIPTION	UNIT	EXTENSION	NOTES
5 ea	2068 Interior Door Unit			
3 ea	2668 Interior Door Unit			
1 ea	2868 Interior Door Unit			
1 ea	2050 Interior Door Unit			
2 ea	5068 Interior Bifold Unit			
1 ea	3068 Cased Opening Unit			
516 lf	Base Mold			
27 lf	Window Stool Mold			
125 lf	Shoe Mold			
216 lf	Window & Door Casing			
15 lf	16" Utility Shelving			
15 lf	12" Utility Shelving			
32 lf	16" Rod Shelving			

EXTERIOR SIDING and TRIM

QUANTITY	DESCRIPTION	UNIT	EXTENSION	NOTES
13 ea	2 x 4 x 16 Utility Spruce			
202 lf	Fascia			
912 lf	Siding			
640 lf	Porch, Ceilings and Beam Wrap			
21 pc	4 ½" x 10' Eave Drip			
2 ea	6' Porch Rail Sections			
1 ea	8' Porch Rail Sections			
5 ea	12' Porch Rail Sections			
40 lf	Drip Cap			
192 lf	WM 936			
40 lf	2 x 6 #2 Treated			
40 lf	1 x 4 Trim			
10 ea	1" x 16" Straps			
10 ea	6 x 6 Post Anchors			
303 sf	Soffit			
3 pr	71" Shutters			
1 ea	Dryer Vent Kit			
9000 ea	Common Brick			
63 ea	Bags Regular Mortar			

DRYWALL, INSULATION, and ROOFING

QUANTITY	DESCRIPTION	UNIT	EXTENSION	NOTES
27 sq	Shingles			
1 bx	50# 7/8" E.G. Roofing			
5 lb	2" E.G. Roofing			
1380 sf	Ceiling Drywall			
132 sf	M.R. Drywall			
1216 sf	R-13 Insulation			
1380 sf	R-30 Attic Insulation			
4128 sf	Wall Drywall			
4 pc	Cont. Ridge Vent			
3 ea	Connectors			
2 ea	End Caps			
1 ea	Pre-fab Fireplace Unit w/Accessories			

HARDWARE

QUANTITY	DESCRIPTION	UNIT	EXTENSION	NOTES
2 ea	Key Lockset w/Deadbolt			
5 ea	Passage Set			
5 ea	Privacy Set			
6 ea	Hinge Doorstop			
6 ea	Brass Base Doorstop			
2 ea	Bath Hardware Sets			
1 ea	36" x 30" Bath Mirror			
1 ea	48" x 30" Bath Mirror			
2 ea	Sets Mirror Clips			
1 ea	P/F Fireplace Mantle			

This Material List is for estimating only and should not be expected to be 100% accurate. The Contractor shall verify all quantities, lengths, and sized before giving a firm bid or ordering materials. Because of varying factors, the above list does not include: Appliances, Plumbing, Cabinets, Concrete, Labor, etc. See specifications for description of. This firm or I personally do not assume any responsibility for human error in this material takeoff. – Vaughn A. Lauban

MATERIAL LIST

PLAN NO. 1277

PAGE 1 of 5

CRAWLSPACE FOUNDATION (Optional)

QUANTITY	DESCRIPTION	UNIT	EXTENSION	NOTES
50 pc	5/8 x 20 Reinforcing Rods			
8 pc	1/2 x 20 Reinforcing Rods			
450 pc	8 x 8 x 16 Stretcher Block & Corner			
24 pc	8 x 12 x 16 Pier Blocks			
13 pc	Foundation Vents w/Lintel			
55 pc	5/8 x 10 Anchor Bolts			
8 pc	2 x 4 x 16 SYP Ledger Material			
200 lf	2 x 12 SYP Misc. Girders			
15 pc	2 x 12 x 16 SYP Joists			
50 pc	2 x 10 x 12 SYP Joists			
24 pc	2 x 10 x 14 SYP Joists			
32 pc	2 x 6 x 8 Pressure Treated Joists			
170 lf	2 x 8 Pressure Treated Plate			
4 shts	3/4 C.D.X. Plywood Flitch Plate			
44 shts	3/4 T & G Plywood Subfloor			
1 pc	32' x 26' 006 Mil Poly			
1 rl	6 x 6 x 10 Ga Wire Mesh			
200 pc	1" x 16" 20 Ga Straps (1 box)			
148 pc	1 x 4 Std Match Treated Flooring x 8'-0"			