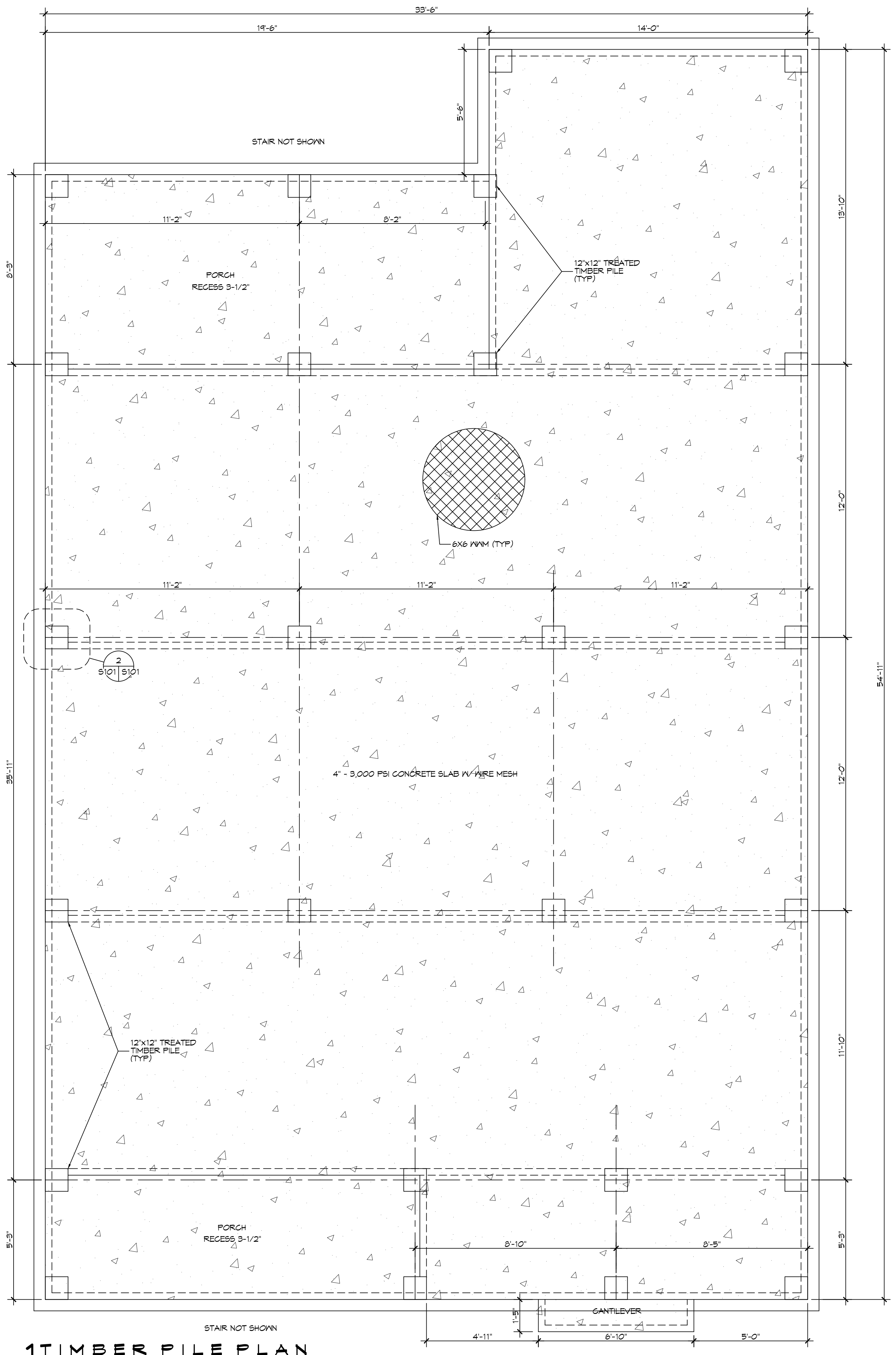


FILE NAME: J:\Projects\2023\0111-Foundation\111-Foundation.dwg; PLOT DATE: 11/20/2023; PLOT TIME: 10:53:32 AM; PLOT BY: BMM; PLOT DEVICE: HP DesignJet 500; PLOT SCALE: 1/8" = 1'-0"



1 **TIMBER PILE PLAN**
 SCALE: 3/8" = 1'-0"

PILING NOTES

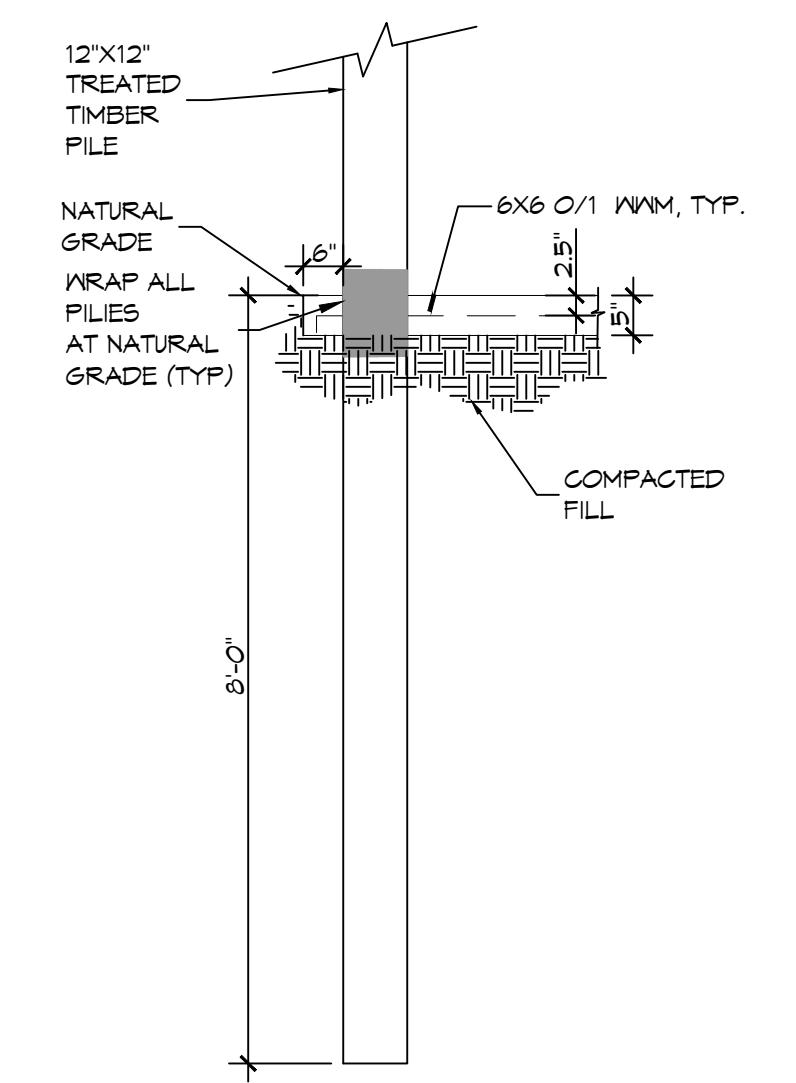
- ALL TIMBER PILES SHALL BE PRESSURE-TREATED SQUARE TIMBER PILES CONFORMING TO ASTM D25.
- DESIGN LOAD = 5 TONS PER PILE.
- NO FIELD SUPERVISION OR INSPECTION PROVIDED UNDER THIS SEAL UNLESS OTHERWISE NOTED.
- TIMBER PILE LAYOUT MAY BE MODIFIED DUE TO ACTUAL DRIVING CONDITIONS. ENGINEER TO BE NOTIFIED ON ANY MODIFICATION.
- A PILE BLOW COUNT LOG OF ALL PILES IS TO BE SUBMITTED TO THE ENGINEER OF RECORD. FAILURE TO SUBMIT SAID LOG WILL RELEASE THE ENGINEER OF ALL RESPONSIBILITY.
- CONTRACTOR IS RESPONSIBLE FOR THE COMPARISON & VERIFICATION OF PILE LAYOUT DIMENSIONS WITH MOST RECENT ARCHITECTURAL DRAWINGS, ASSURING THAT PILES DO FALL WITHIN LIMITS OF THE DESIGN.
- BRACE ALL PILING AS NEEDED FOR SWAYING.
- FIELD VERIFY DIMENSIONS AGAINST THE ARCHITECTURAL DRAWINGS.
- WRAP ALL PILING AT BASE LINE.

GENERAL NOTES

- ALL LUMBER SHALL BE PRESSURE TREATED WITH A RETENTION OF .4 PER C.F.
- ALL FASTENERS SHALL BE HOT DIPPED GALVANIZED (HDG) PER ASTM A153.
- ALL CONNECTORS SHALL BE HDG PER ASTM A653, CLASS G105 SHEET WITH 1.25 OZ/SF ZINC COATING.

GENERAL FOUNDATION NOTES

- ALL DIMENSIONS ARE EDGE OF CONCRETE (EOC) TO EDGE OF CONCRETE (EOC) UNLESS NOTED OTHERWISE.
- VERIFY ALL PLUMBING ROUGH-IN LOCATIONS ON ARCHITECTURAL DWGS.
- CONCRETE MIX SHALL HAVE A MINIMUM COMPRESSIVE STRENGTH OF 4000 PSI AT 28 DAYS. CONCRETE MIX SHALL BE IN ACCORDANCE WITH ACI-318.
- ALL CONVENTIONAL REINFORCING STEEL SHALL MEET ASTM-A615 (GRADE 60).
- ONE LAYER OF POLYETHYLENE VAPOR BARRIER SHALL BE PLACED UNDER ALL CONCRETE. VAPOR RETARDER TO BE MINIMUM 10 MIL THICKNESS; ASTM E 1745 CLASS A, PERMEANCE LESS THAN 0.01 PERMS, EQUAL TO STEGO INDUSTRIES STEGO WRAP, EGOSHIELD-E 15 MIL BY EPRO, OR IRONBAR 15 BY FLATIRON FILMS. PROVIDE APPROPRIATE ACCESSORIES FOR A COMPLETE SYSTEM.
- ALL MESH SHALL BE SECURELY SUPPORTED TO PREVENT BOTH VERTICAL AND HORIZONTAL MOVEMENT DURING CONCRETE PLACEMENT.
- THE CONTRACTOR SHALL VERIFY ALL DROPS, OFFSETS, BRICK LEDGES, DIMENSIONS AND CONFIGURATIONS. CONTRACTOR MUST BE RESPONSIBLE FOR SAME. SEE ARCHITECTURAL DRAWINGS.
- ALL TREES WITHIN CLOSE PROXIMITY SHALL BE REMOVED TO PREVENT THE ROOTS FROM EXTENDING UNDER THE SLAB.
- FILL, AS A MINIMUM QUALITY, SHALL BE 40% CLAY AND 60% SANDY MIXTURE, PLACED IN 6" LIFTS AND COMPACTED TO A MINIMUM OF 95% STANDARD PROCTOR. FOOTINGS ARE DESIGNED TO USE SOIL WITH A BEARING PRESSURE OF 2000 LBS. PER SQUARE FOOT OR MORE. IT IS RECOMMENDED THAT THE OWNER VERIFY ALLOWABLE SOIL BEARING PRESSURE CAPACITY BY CONTRACTING THE SERVICES OF A SOILS ENGINEERING COMPANY.
- ALL RUNOFF WATER MUST BE CARRIED AWAY FROM THE SLAB TO PREVENT SATURATION OF THE SUB-BASE FOREVER.
- ALL SOIL BELOW SLAB SHALL RECEIVE TERMITE TREATMENT.



2 **DETAIL**
 SCALE: 1/2" = 1'-0"

DAMMON ENGINEERING, INC.
 LOUISIANA & MISSISSIPPI
 www.dammonengineering.com
 info@dammonengineering.com
 PH: 985.649.9832
 Chief Engineer: Brian Mistich, PE
 554 Old Spanish Trail
 Slidell, LA 70468

#	DESCRIPTION	DATE



FRED RICHARDSON
 FOUNDATION
 SHEET TITLE:
TIMBER PILE & FOUNDATION PLAN
 DRAWING NUMBER:
S101
 SHEET No: 1 of 1

DATE: 11-20-2023
 DRAWN BY: CKD
 CHECKED BY: BMM

JOB No: FINK STREET, PARCEL 2, WAYLAND, MS 39576
 DATE: 11-20-2023
 DRAWN BY: CKD
 CHECKED BY: BMM