

1
S101 S101

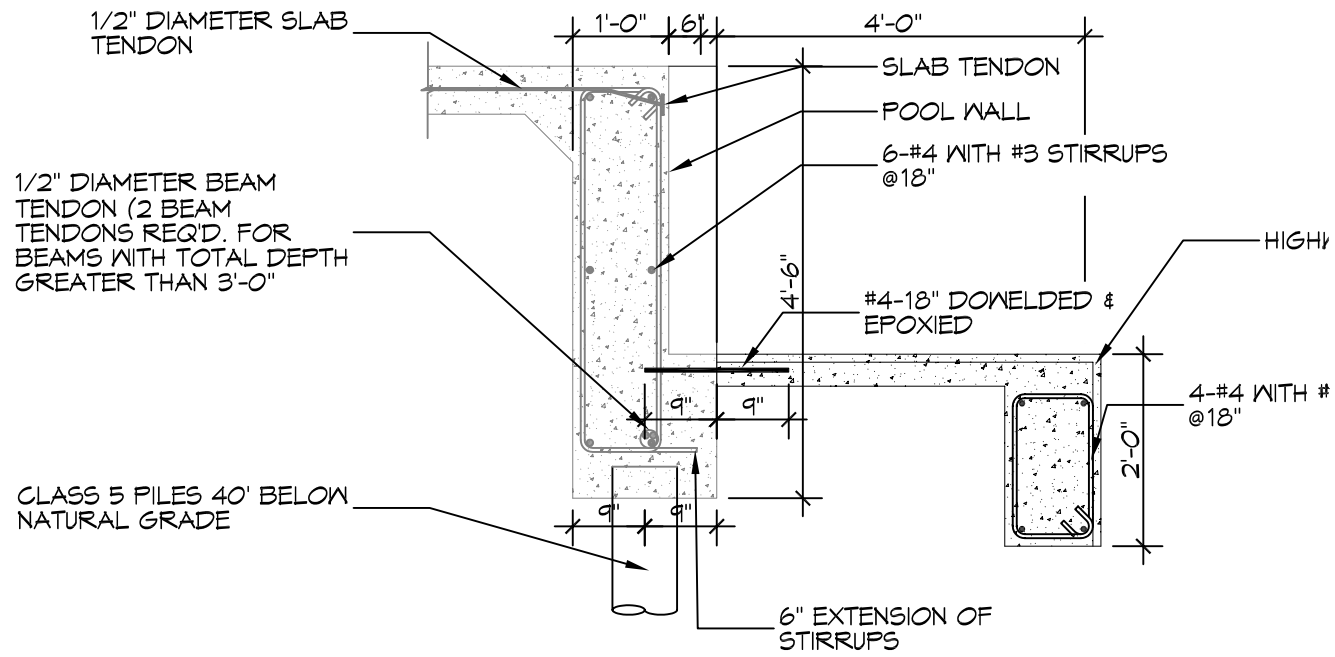
PLAN VIEW
SCALE: 3/32" = 1'-0"



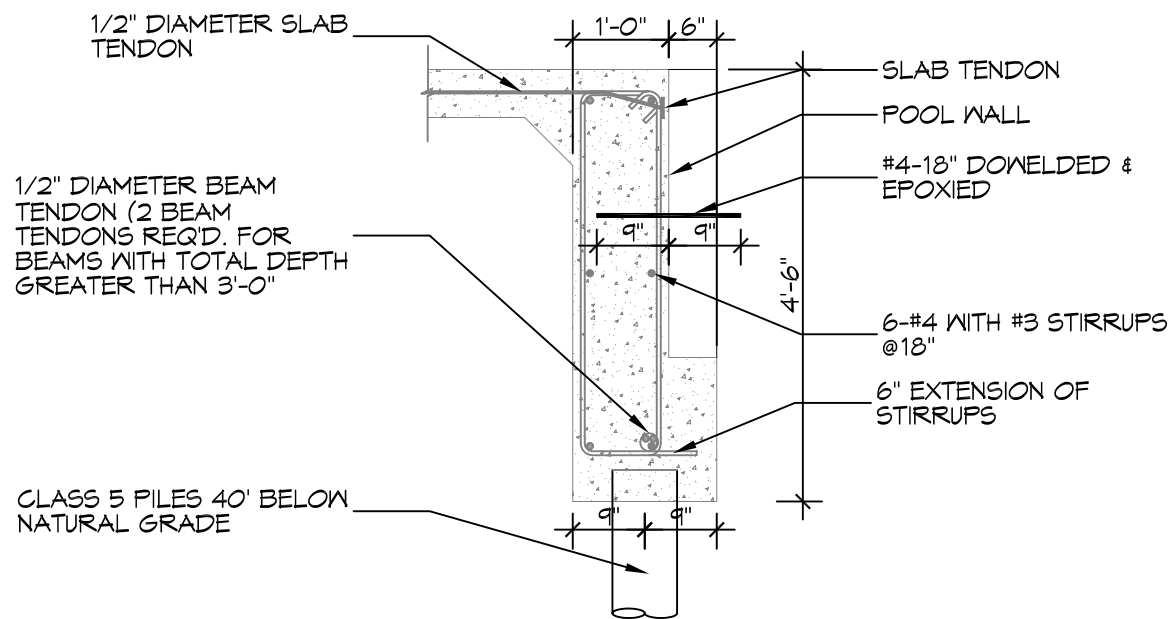
551 Old Spanish Trail Slidell, LA 70458 (885) 639-5832
 dammonengineering.com
 info@dammonengineering.com
 PHONE: 985-649-5832
 CHIEF ENGINEER: BRIAN A. MISTICH, P.E.
 554 OLD SPANISH TRAIL
 SLIDELL, LA 70458

NEW ADDITION FOUNDATION	
GARY MARTINEZ LOT 144, CLIPPER ESTATES SLIDELL, LA	
JOB #:	2019
DATE:	06/12/2019
DRAWN BY:	CKD/JAW
CHECKED BY:	BAM

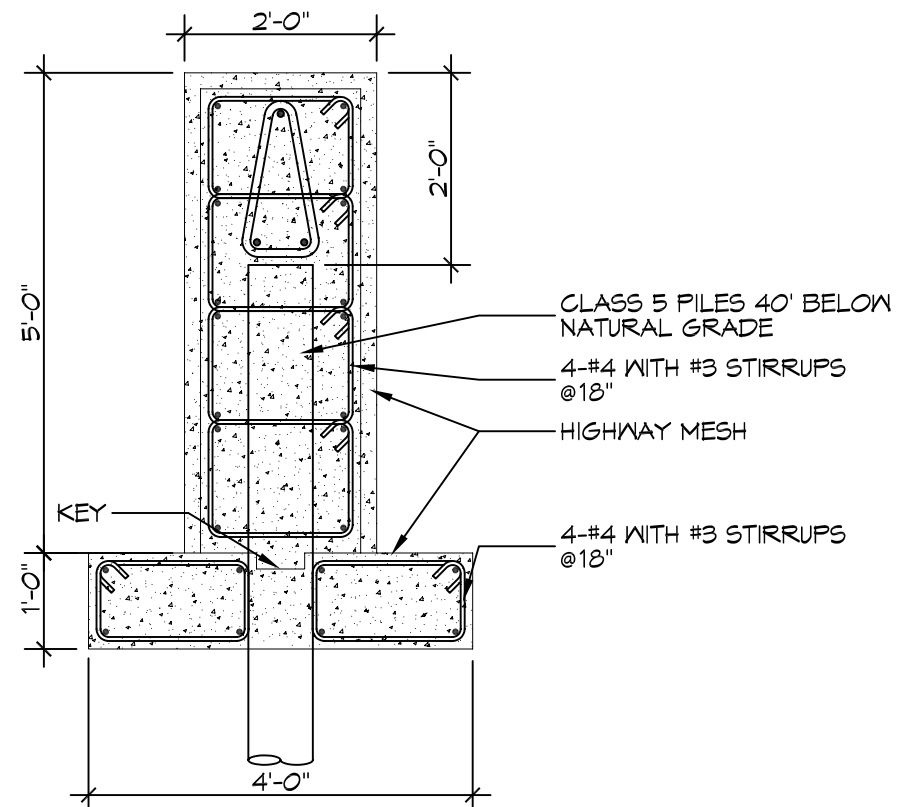
S101



C SECTION
 S101 | S102
 SCALE: 1/2" = 1'-0"



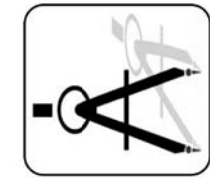
B SECTION
 S101 | S102
 SCALE: 1/2" = 1'-0"



A SECTION
 S101 | S102
 SCALE: 1/2" = 1'-0"



DAMMON
 ENGINEERING, INC.



554 Old Spanish Trail Slidell, LA 70458 (985) 679-5832

dammonengineering.com
 info@dammonengineering.com
 PHONE: 985-649-5832

CHIEF ENGINEER: BRIAN A. MISTICH, P.E.
 554 OLD SPANISH TRAIL
 SLIDELL, LA 70458

NEW ADDITION FOUNDATION

GARY MARTINEZ
 LOT 144, CLIPPER ESTATES
 SLIDELL, LA

JOB #: 2019 DATE: 06/12/2019

DRAWN BY: CKD/JAW CHECKED BY: BAM

S102