

1015

NEW ADDITION FOUNDATION

GARY MARTINEZ
LOT 144, CLIFFER ESTATES
SUDELL, LA

JOB #:
2019

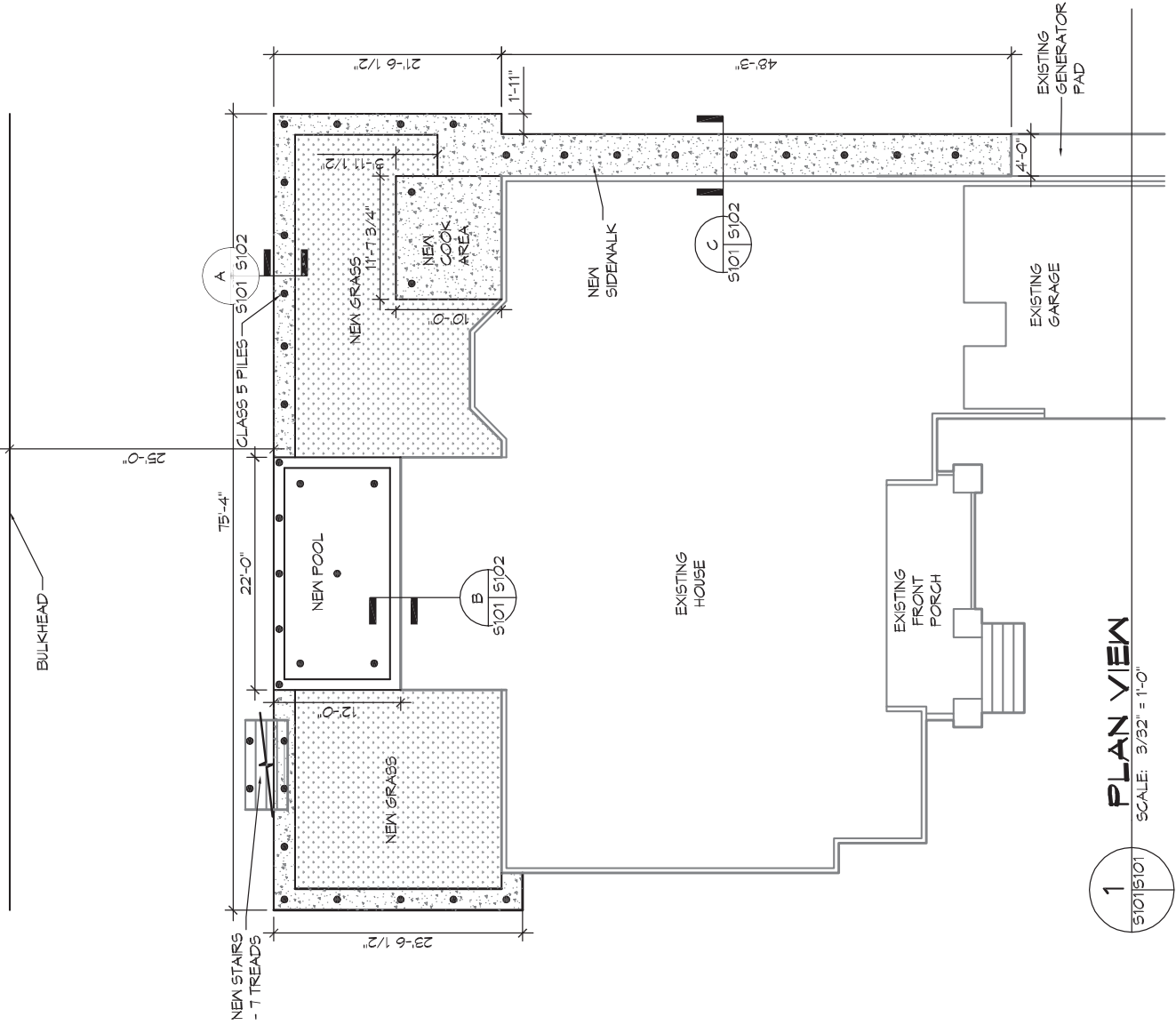
DATE: 06/12/2019
CHECKED BY: BAM
DRAWN BY: CKD/JAW



DAMMON
ENGINEERING, INC.

551 Old Spanish Trail, Suite 1045B, (705) 649-8112
info@dammonengineering.com
PHONE: 905-649-5632

CHIEF ENGINEER: BRIAN A. MISTICH, P.E.
554 OLD SPANISH TRAIL
SUDELL, LA 70458



1 PLAN VIEW
SCALE: 3/32" = 1'-0"

DAMMON ENGINEERING, INC.
 info@dammoneengineering.com
 PHONE: 965-649-5332

DAMMON
 ENGINEERING, INC.



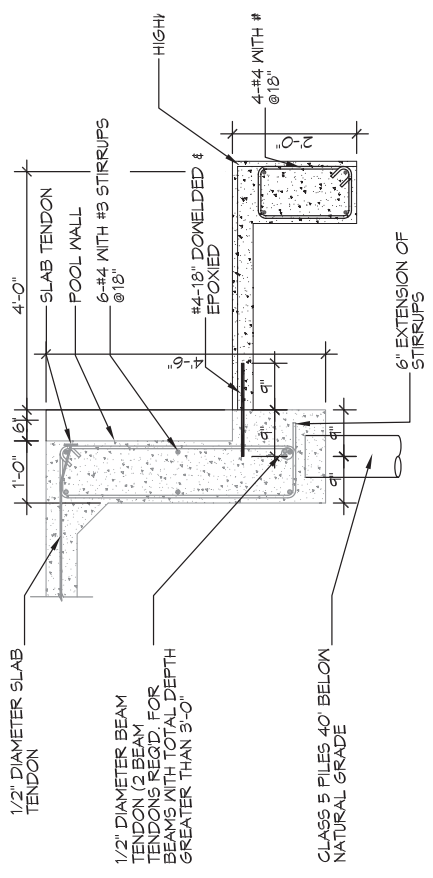
554 Old Spanish Trail Stidell, LA 70458 (985) 649-5832

CHIEF ENGINEER: BRIAN A. MISTICH, P.E.
 554 OLD SPANISH TRAIL
 STIDELL, LA 70458

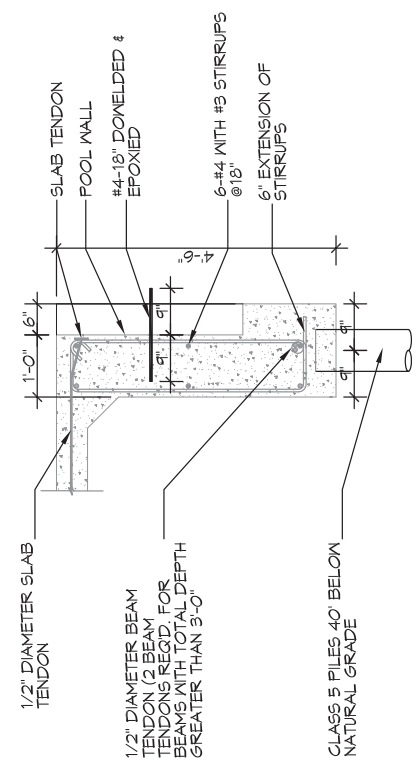
JOB #: 2019
 DATE: 06/12/2019
 CHECKED BY: BAM
 DRAWN BY: CKD/JAW

NEW ADDITION FOUNDATION
GARY MARTINEZ
 LOT 144, CLIFFER ESTATES
 STIDELL, LA

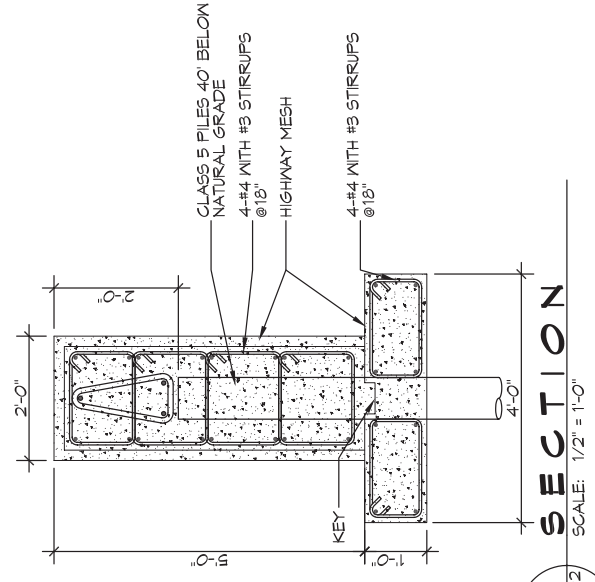
2015



C SECTION
 SCALE: 1/2" = 1'-0"



B SECTION
 SCALE: 1/2" = 1'-0"



A SECTION
 SCALE: 1/2" = 1'-0"

