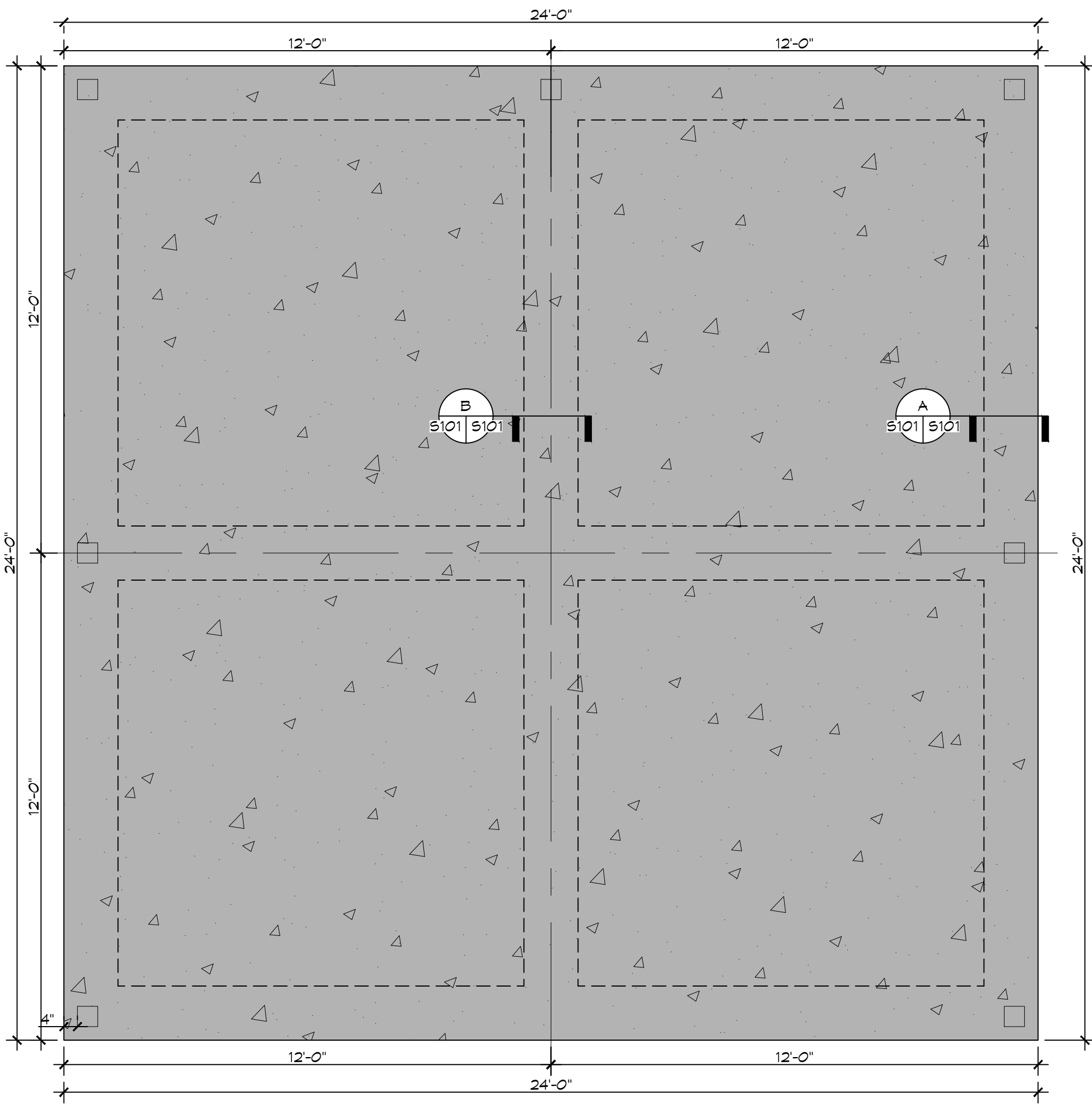
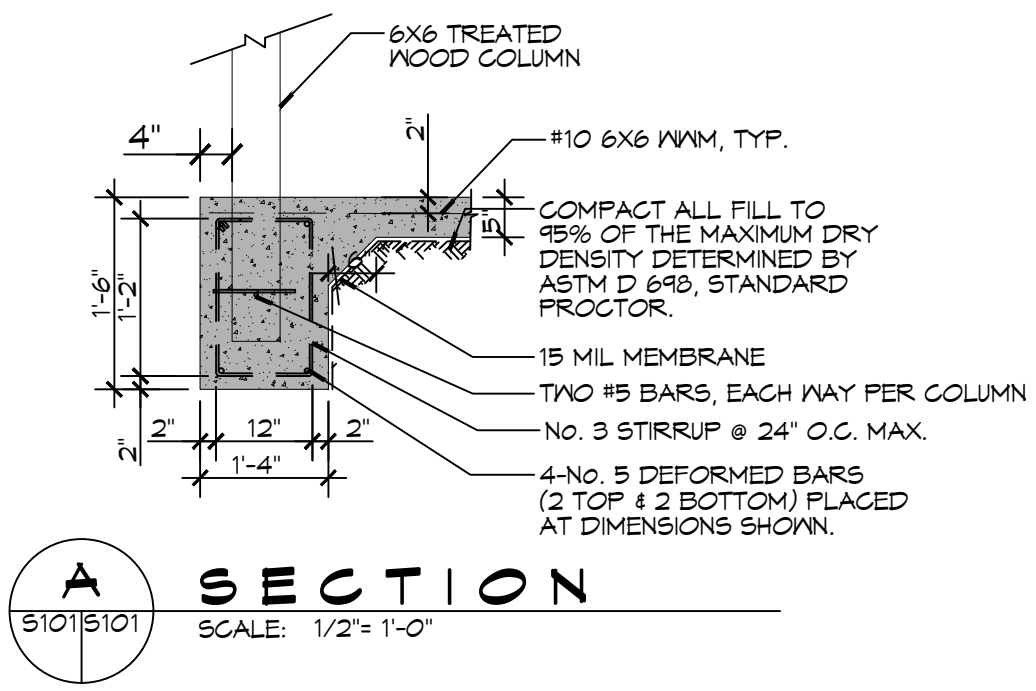


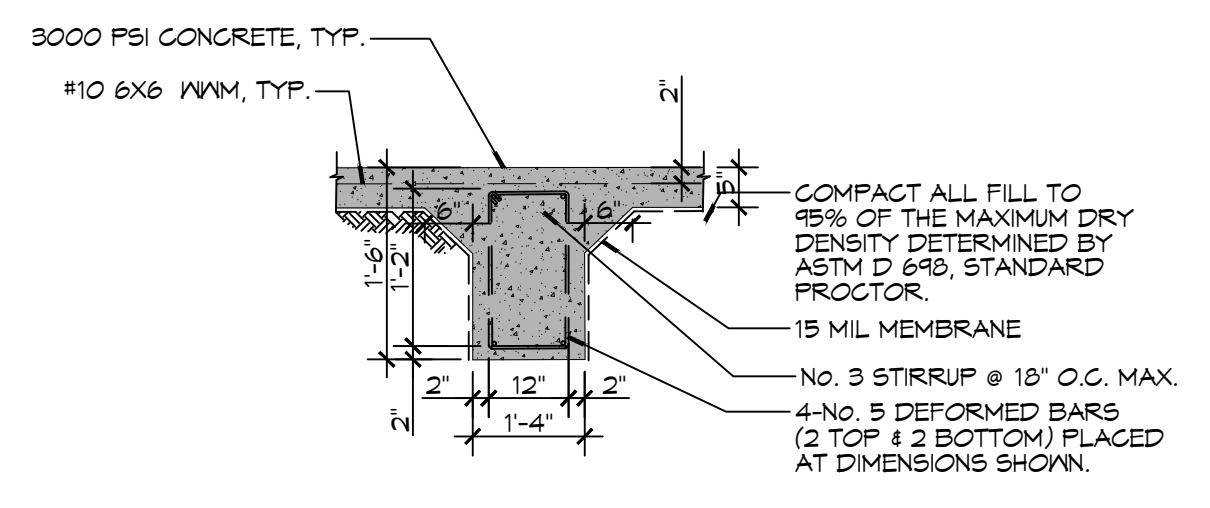
FILE NAME: A:\Projects\05-26-2024\New Pole Barn\05-26-2024\New Pole Barn.dwg DATE: 05-26-2024 10:00 AM



**FOUNDATION PLAN**  
SCALE: 3/8" = 1'-0"



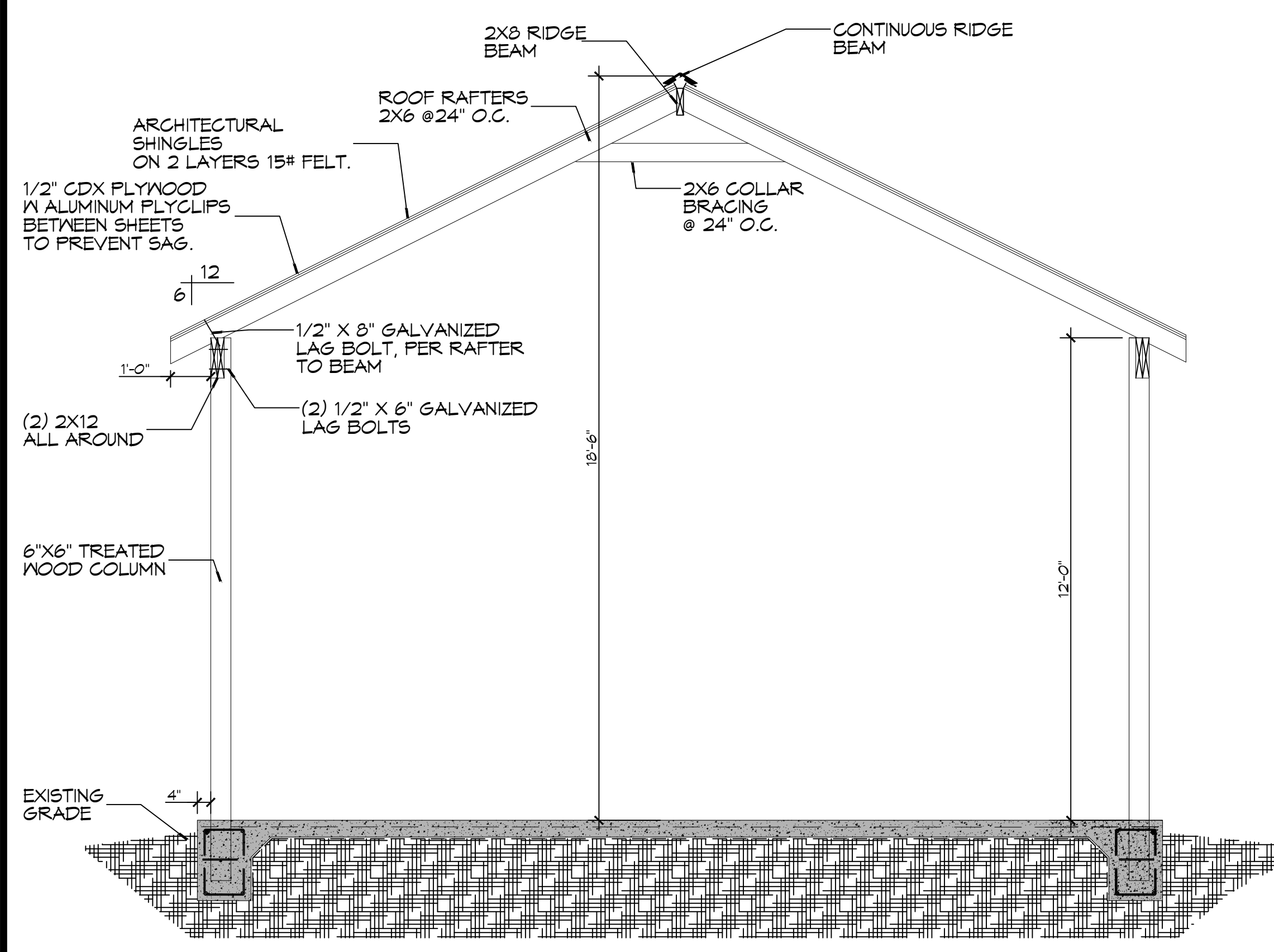
**A SECTION**  
SCALE: 1/2" = 1'-0"



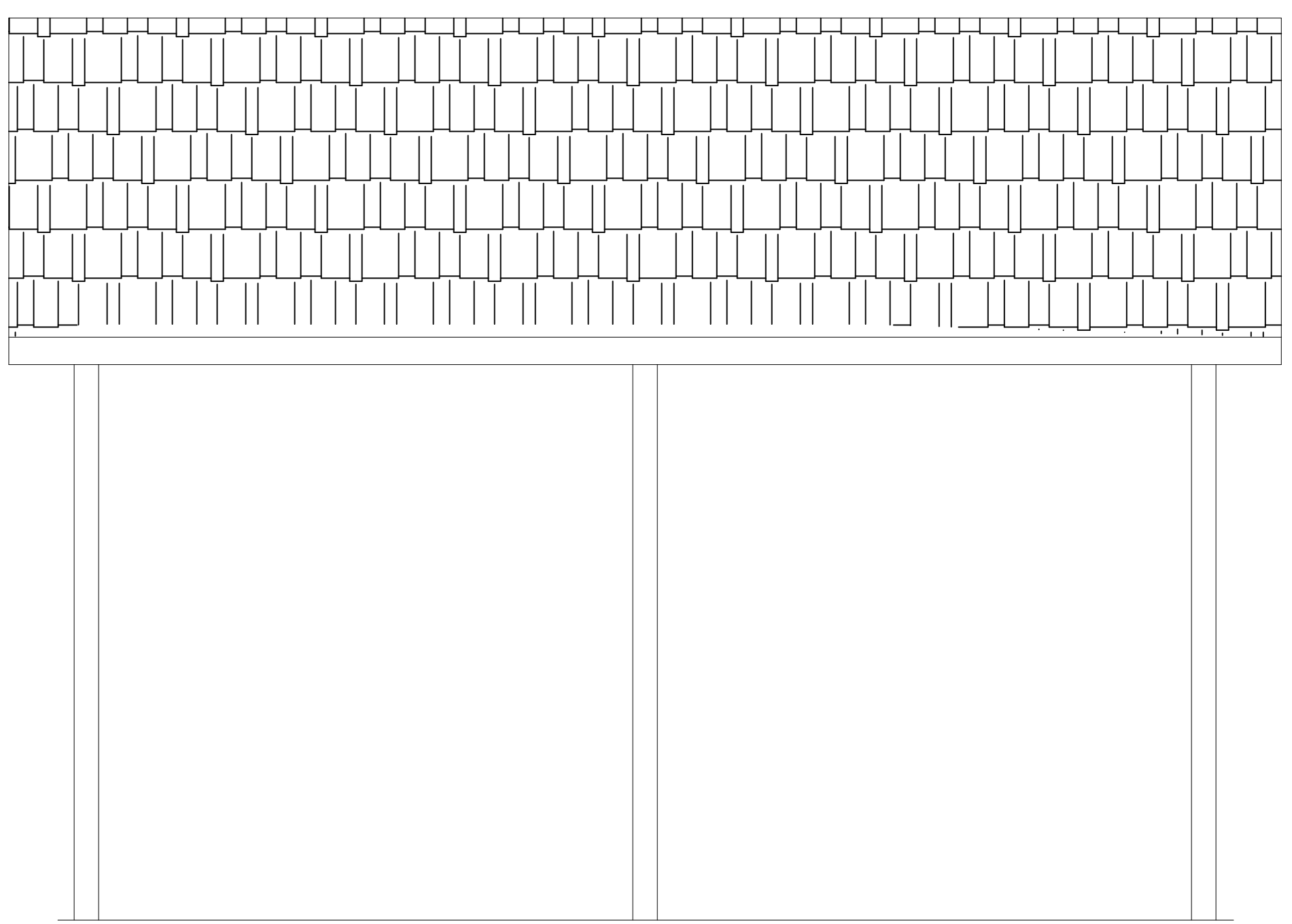
**B SECTION**  
SCALE: 1/2" = 1'-0"

**DESIGN CRITERIA**  
THE CONSTRUCTION FOR SAID RESIDENCE, WHERE BASIC WIND SPEED IS 140 MILES PER HOUR, WIND EXPOSURE ZONE B, IS DESIGNED IN ACCORDANCE WITH: AMERICAN FOREST AND PAPER ASSOCIATION (AF&PA) WOOD FRAME CONSTRUCTION MANUAL FOR ONE AND TWO FAMILY DWELLINGS (WFCM) 2001 EDITION AS WELL AS THE INTERNATIONAL RESIDENTIAL CODE (IRC) 2021 EDITION

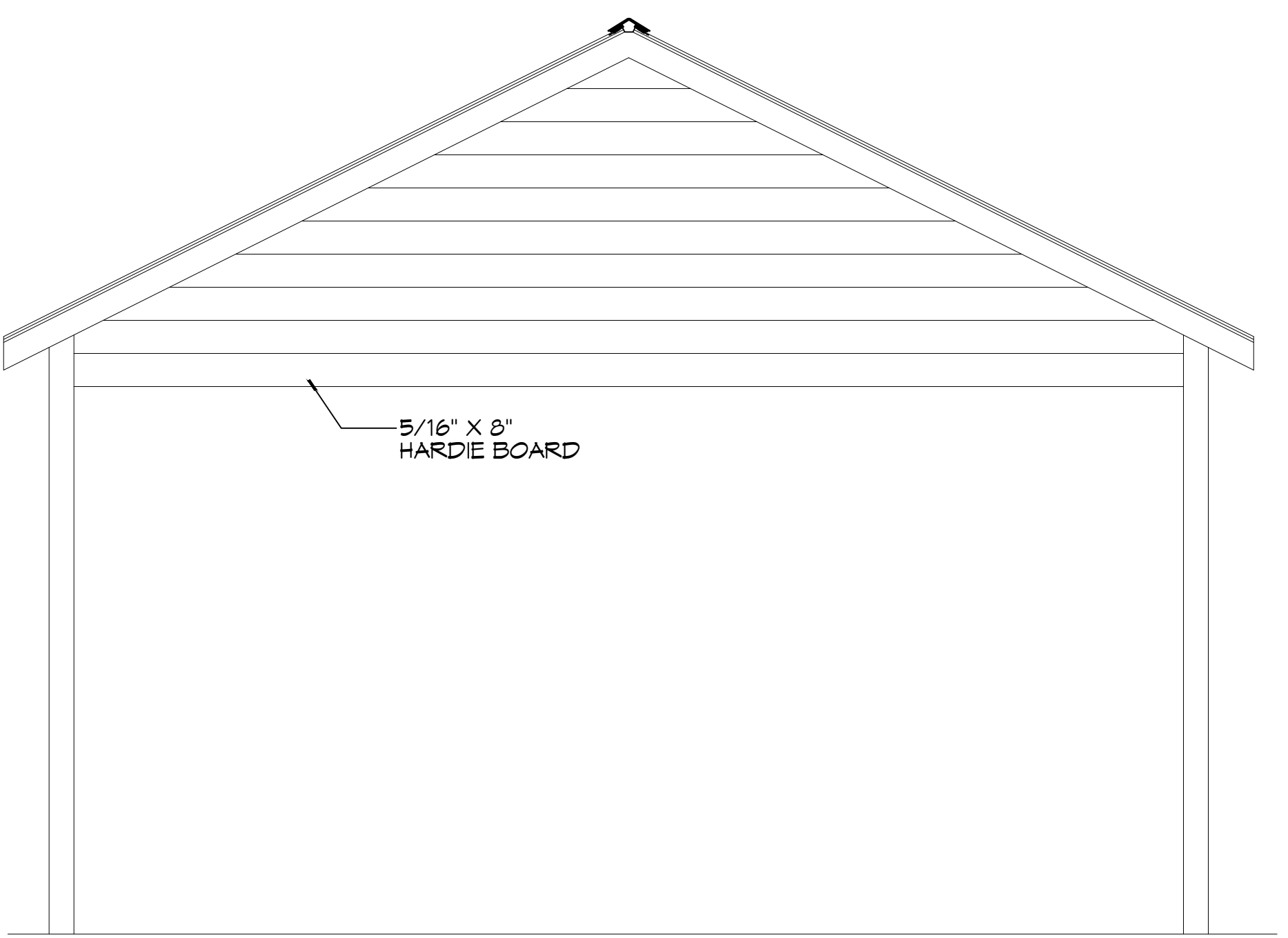
- GENERAL FOUNDATION NOTES**
1. THE CONCRETE MIX SHALL HAVE A MINIMUM COMPRESSIVE STRENGTH OF 3000 PSI AT 28 DAYS. CONCRETE MIX SHALL BE IN ACCORDANCE WITH ACI-318.
  2. ALL CONVENTIONAL REINFORCING SHALL MEET ASTM-A615 (GRADE 60).
  3. ALL REINFORCING STEEL AND MESH SHALL BE SECURELY SUPPORTED TO PREVENT BOTH VERTICAL AND HORIZONTAL MOVEMENT DURING CONCRETE PLACEMENT.
  4. THE CONTRACTOR SHALL VERIFY ALL DROPS, OFFSETS, CHU LEDGES, DIMENSIONS, AND CONFIGURATIONS. CONTRACTOR MUST BE RESPONSIBLE FOR SAME.
  5. GRADE BEAM SIZES MAY VARY BY -5% TO +20%.
  6. ALL SUBGRADE FILL SHALL BE SELECT GRANULAR MATERIAL COMPACTED TO 95% STANDARD PROCTOR DENSITY IN A MAXIMUM OF 6" LIFTS.
  7. ALL RUNOFF WATER MUST BE CARRIED AWAY FROM THE SLAB TO PREVENT SATURATION OF THE SUB-BASE.
  8. ALL TREES WITHIN CLOSE PROXIMITY SHALL BE REMOVED TO PREVENT THE ROOTS FROM EXTENDING UNDER THE SLAB.
  9. PROVIDE AND MAINTAIN IMMEDIATE SITE DRAINAGE BEFORE, DURING, AND AFTER CONSTRUCTION. PROVIDE GRADING, SWELLS, AND SUMP PUMPS AS MAY BE REQUIRED TO IMMEDIATELY DRAIN ALL RAINWATER FROM THE CONSTRUCTION AREA. FOOTING EXCAVATIONS SHOULD BE OBSERVED AND CONCRETE TO BE PLACED AS QUICKLY AS POSSIBLE TO AVOID EXPOSURE OF THE FOOTING BOTTOMS TO WETTING AND DRYING. SURFACE RUNOFF WATER SHOULD BE DRAINED AWAY FROM THE EXCAVATIONS AND NOT BE ALLOWED TO POND PRIOR TO OR AFTER CONCRETE PLACEMENT. IF IT IS REQUIRED THAT A FOOTING EXCAVATION BE LEFT OPEN FOR MORE THAN ONE DAY, IT SHOULD BE PROTECTED TO REDUCE EVAPORATION OR ENTRY OF MOISTURE.



**TYPICAL FRAMING SECTION**  
SCALE: 3/8" = 1'-0"



**SIDE ELEVATIONS**  
SCALE: 3/8" = 1'-0"



**FRONT ELEVATION**  
SCALE: 3/8" = 1'-0"

**DAMMON ENGINEERING, INC.**  
LOUISIANA & MISSISSIPPI  
Chief Engineer: Brian Mistich, PE  
www.dammonengineering.com  
info@dammonengineering.com  
554 Old Spanish Trail  
Slidell, LA 70468  
PH: 985.649.9532

#	DESCRIPTION	DATE



**NEW POLE BARN**  
**JEFFERY BARRDS**  
26941 HELTHEMES LANE  
LACOMBE, LA 70445  
JOB No: 2024 | DATE: 05-26-2024  
DRAWN BY: [Signature] | CHECKED BY: [Signature]

SHEET TITLE:  
FOUNDATION & FRAMING PLAN  
DRAWING NUMBER:  
**S101**  
SHEET No: 1 of 1