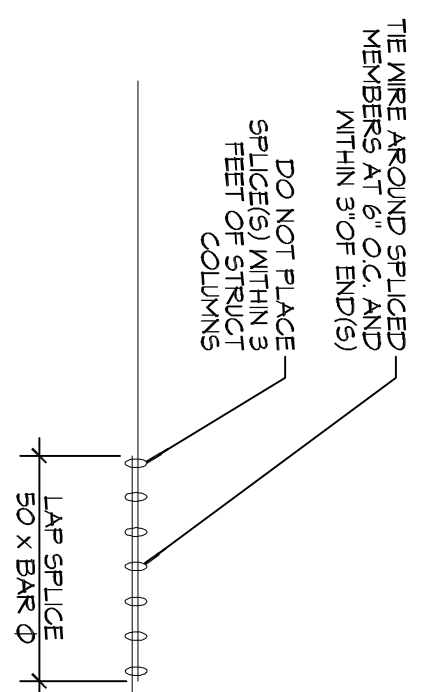
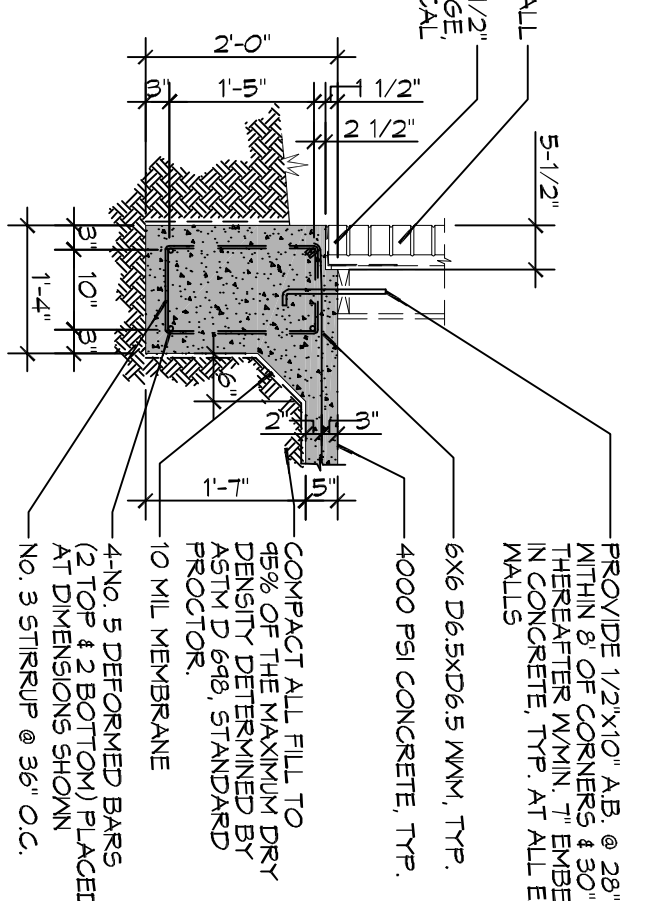


1 FOUNDATION PLAN
SCALE: 1/4" = 1'-0"

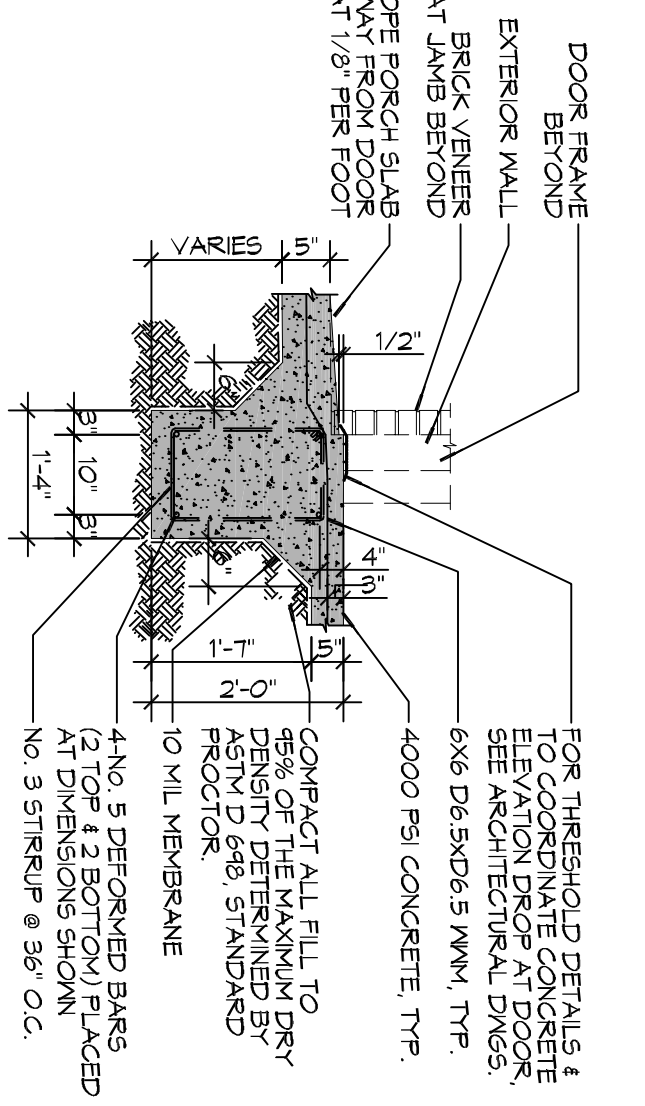
2 DETAIL
SCALE: 1/2" = 1'-0"



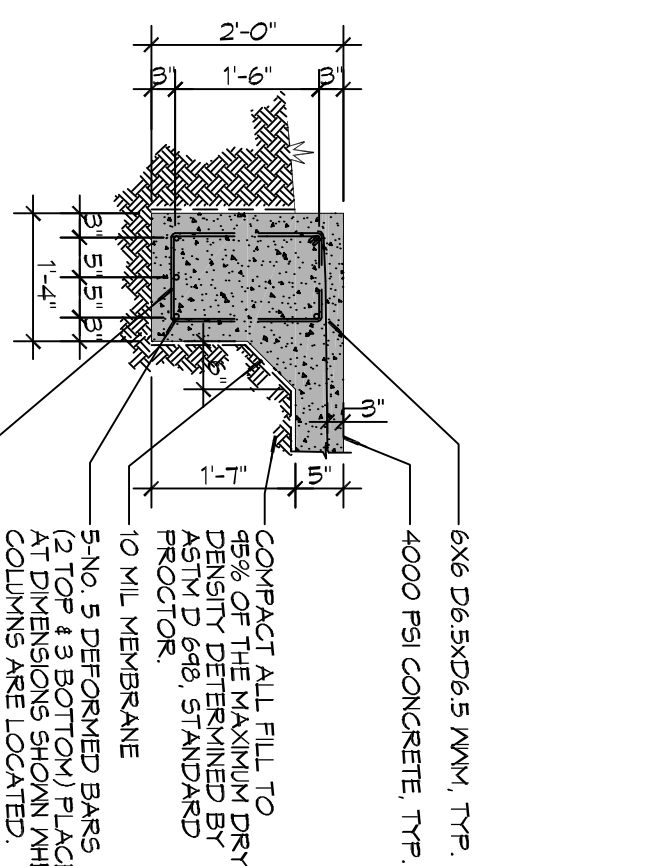
A SECTION
SCALE: 1/2" = 1'-0"



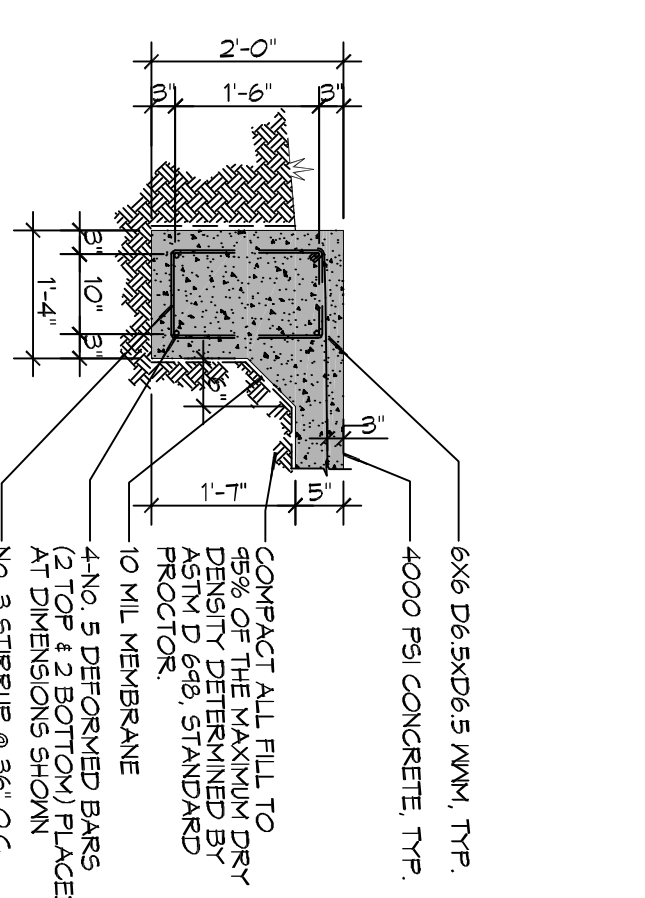
B SECTION
SCALE: 1/2" = 1'-0"



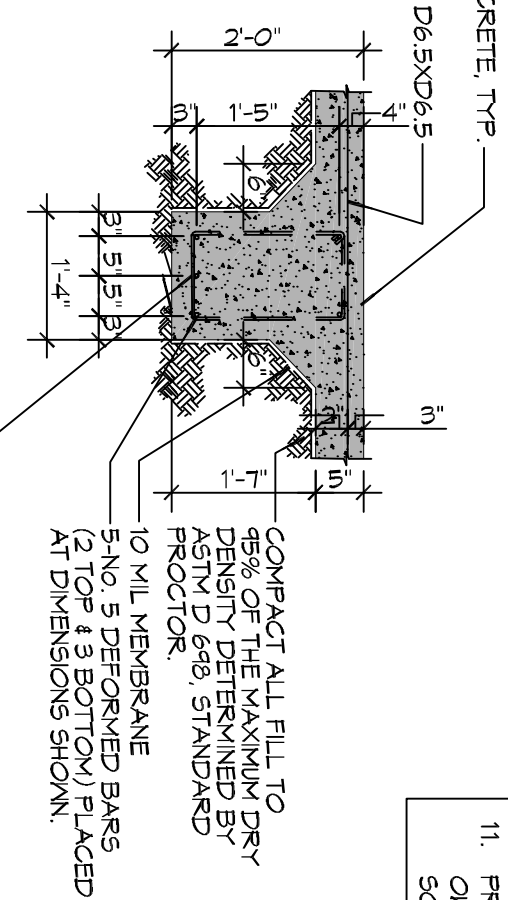
C SECTION
SCALE: 1/2" = 1'-0"



D SECTION
SCALE: 1/2" = 1'-0"



E SECTION
SCALE: 1/2" = 1'-0"



- FOUNDATION NOTES**
- ALL DIMENSIONS ARE EDGE OF CONCRETE (EOC) TO EDGE OF CONCRETE (EOC) UNLESS NOTED OTHERWISE.
 - VERIFY ALL PILING/ELECTRICAL/ROUGH-IN LOCATIONS ON ARCHITECTURAL DWGS.
 - CONCRETE MIX SHALL HAVE A MINIMUM COMPRESSIVE STRENGTH OF 4000 PSI AT 28 DAYS. CONCRETE MIX SHALL BE IN ACCORDANCE WITH ACI-318.
 - ALL CONVENTIONAL REINFORCING STEEL SHALL MEET ASTM-A618 (GRADE 60).
 - ONE LAYER OF POLYETHYLENE VAPOUR BARRIER SHALL BE PLACED UNDER ALL CONCRETE. VAPOUR RETARDER TO BE MINIMUM 10 MIL THICKNESS. ASTM E 1745 CLASS A PERVAZANCE LESS THAN 0.01 PERMS. EQUAL TO STENO INDENTED STEEL PANS. RECOMMENDED 15 MIL STEEL VAPOUR BARRIER SHALL BE USED UNLESS OTHERWISE SPECIFIED. ACCESSORIES FOR A COMPLETE SYSTEM.
 - ALL REINFORCING STEEL AND WELLS SHALL BE SECURELY SUPPORTED TO PREVENT BOTH VERTICAL AND HORIZONTAL WORKER DURING CONCRETE PLACEMENT.
 - THE CONTRACTOR SHALL VERIFY ALL DROPS, OFFSETS, BRICK LEDGES, DIMENSIONS AND CONFIGURATIONS. CONTRACTOR MUST BE RESPONSIBLE FOR SAME.
 - GRADE BEAM DIMENSIONS MAY VARY BY -5% - +20%.
 - NEW SPREAD CONCRETE FOOTINGS AND CONTINUING FOOTINGS, BEAKING ON COMPACTED STRUCTURAL FILL AT LEAST 2 FEET BELOW FINISHED GRADE SHOULD BE DESIGNED FOR MINIMUM NET ALLOWABLE BEAKING PRESSURES OF 1200 PSF AND 2000 PSF, RESPECTIVELY, BASED ON DEAD LOADS AND DESIGN LIVE LOADS.
 - ALL SOIL BELOW SLABS SHALL RECEIVE THERMITE TREATMENT.
 - PRIOR TO FOUNDATION INSTALLATION IT IS RECOMMENDED THAT THE OWNER VERIFY CAPACITY OF FILL BY CONTRACTING THE SERVICES OF A SOIL ENGINEERING COMPANY.

SHEET TITLE:
FOUNDATION PLAN

DRAWING NUMBER:
S101

JOB No: 2251 DATE: 01-05-17

DRAWN BY: CKD CHECKED BY: BAN

42112 THREE OAKS LANE
SLIDELL, LOUISIANA 70461



#	DESCRIPTION	DATE

DAMMON ENGINEERING, INC.

554 Old Spanish Trail
Slidell, LA 70458
PH: 985.649.5832

www.dammonengineering.com
info@dammonengineering.com
Fax: 985.641.9590