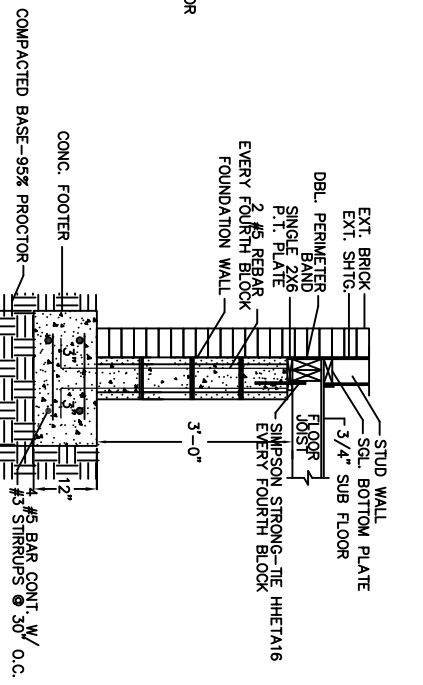
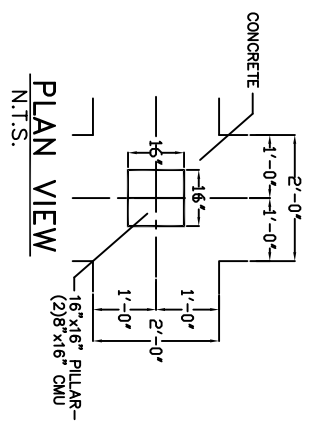
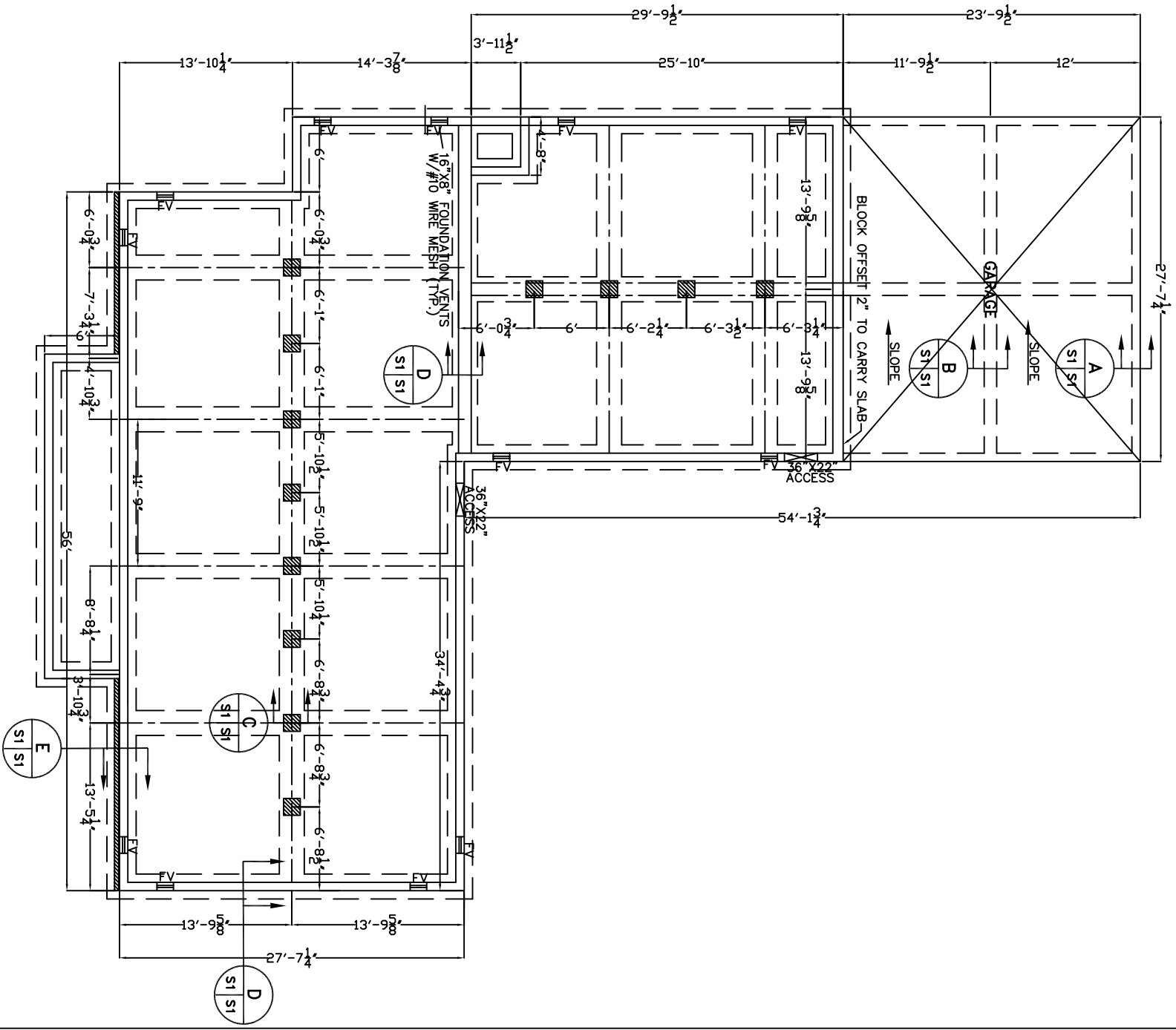


- NOTES:
1. CONTRACTOR SHALL FIELD VERIFY ALL DIMENSIONS, DEPRESSIONS PRIOR TO COMMENCING WORK.
 2. DIRT SHALL BE INSTALLED IN 6" LIFTS AND COMPACTED TO 95% PROCTOR.
 3. TREAT SOIL BELOW SLAB FOR TERMITES.
 4. CONCRETE MIX SHALL BE 3000 PSI. MINIMUM.



THE ABOVE FOUNDATION SECTION IS SUGGESTIVE ONLY. ALL FOUNDATION CONSTRUCTION IS THE RESPONSIBILITY OF THE BUILDER TO CONFORM TO NORTH CAROLINA RESIDENTIAL CODE 2002 ED. +2000 IRC/2003 IRC/2006 IRC OR 2004 FLORIDA BUILDING CODE



FOUNDATION PLAN
SCALE: 3/16"=1'-0"

SCALE: AS NOTED FILE: JOB NO. 1856 DATE: 4-9-07 SHEET S-1 OF	LEROY COURSEULT RESIDENCE	FLOOR PLAN LEROY COURSEULT HOME SHAMROCK DRIVE SLIDELL, LOUISIANA
	DAMMON ENGINEERING, INC. 1095 FLORIDA AVENUE 985-649-5832 SLIDELL, LA. 70458 DAMMONENGINEERING.COM	