

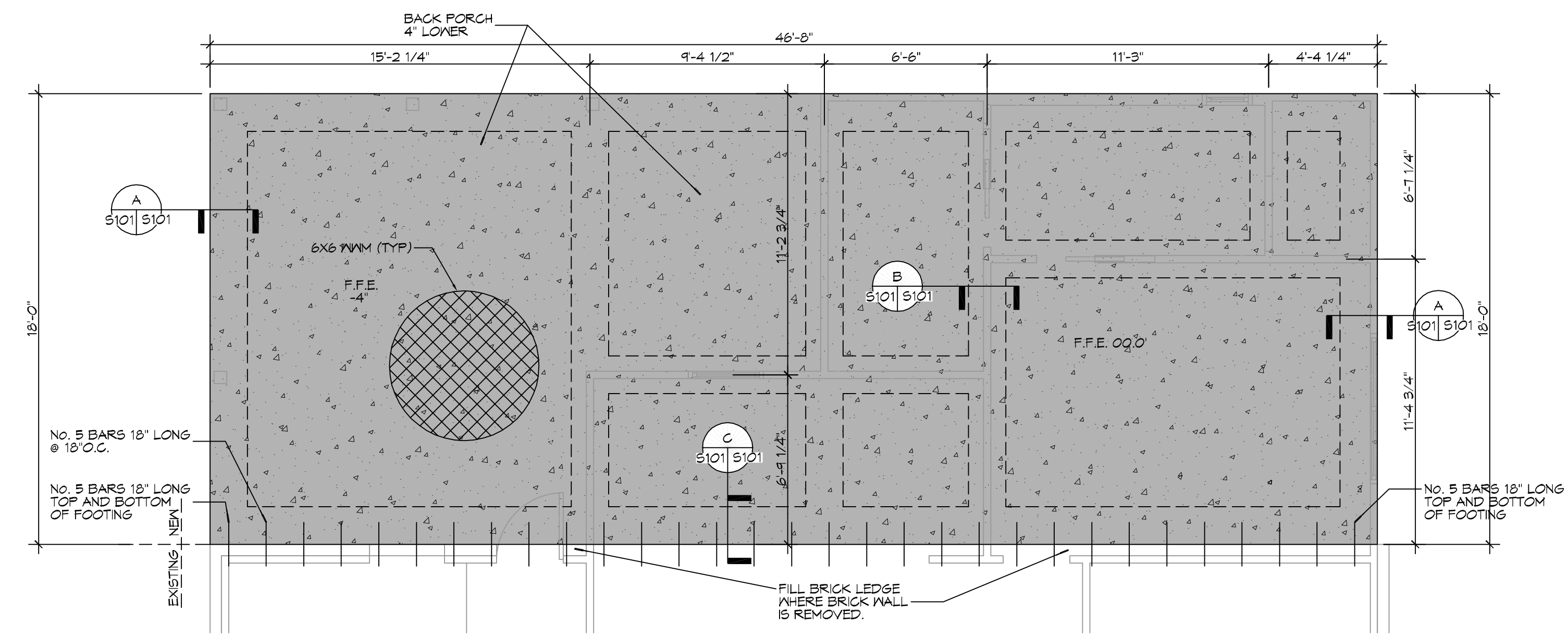
F.E. MARR, P.E., License No. 36104, State of Louisiana, Mechanical Engineering, Foundation Engineering, 1000 Lakeshore Drive, Suite 200, Metairie, LA 70002, 504.885.1111

FOUNDATION NOTES

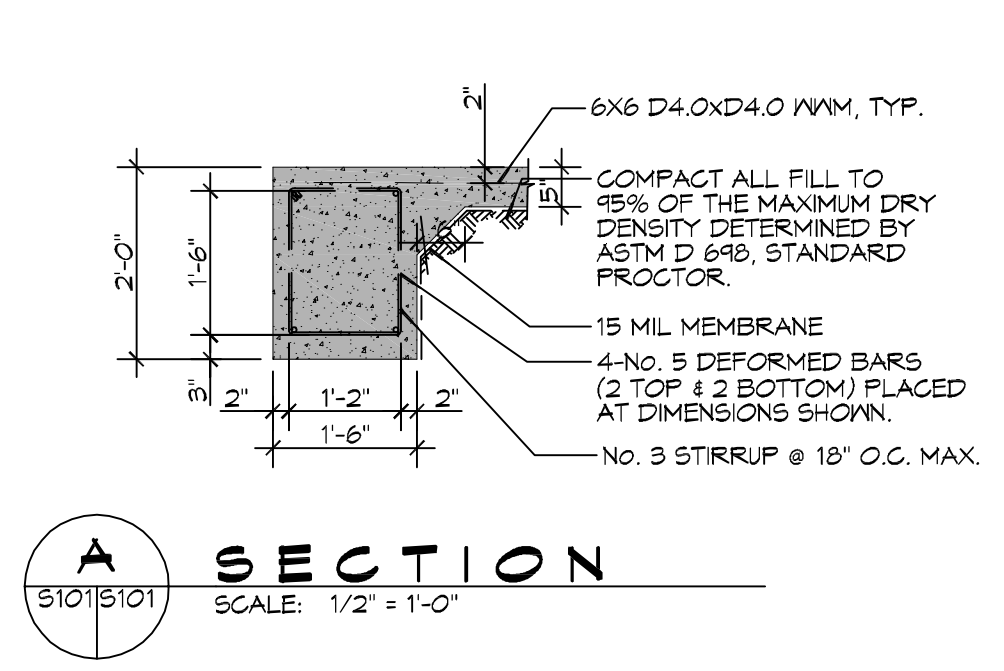
- ALL DIMENSIONS ARE EDGE OF CONCRETE (EOC) TO EDGE OF CONCRETE (EOC) UNLESS NOTED OTHERWISE.
- VERIFY ALL PLUMBING ROUGH-IN LOCATIONS ON ARCHITECTURAL DWGS.
- CONCRETE MIX SHALL HAVE A MINIMUM COMPRESSIVE STRENGTH OF 3000 PSI AT 28 DAYS. CONCRETE MIX SHALL BE IN ACCORDANCE WITH ACI-318.
- ALL CONVENTIONAL REINFORCING STEEL SHALL MEET ASTM-A615 (GRADE 60).
- ONE LAYER OF POLYETHYLENE VAPOR BARRIER SHALL BE PLACED UNDER ALL CONCRETE. VAPOR RETARDER TO BE MINIMUM 10 MIL THICKNESS; ASTM E 1745 CLASS A, PERMEANCE LESS THAN 0.01 PERMS, EQUAL TO STEGO INDUSTRIES STEGO WRAP, ECOSHIELD-E 15 MIL BY EPRO, OR IRONBAR 15 BY FLATIRON FILMS. PROVIDE APPROPRIATE ACCESSORIES FOR A COMPLETE SYSTEM.
- ALL REINFORCING STEEL AND MESH SHALL BE SECURELY SUPPORTED TO PREVENT BOTH VERTICAL AND HORIZONTAL MOVEMENT DURING CONCRETE PLACEMENT.
- THE CONTRACTOR SHALL VERIFY ALL DROPS, OFFSETS, BRICK LEDGES, DIMENSIONS AND CONFIGURATIONS. CONTRACTOR MUST BE RESPONSIBLE FOR SAME.
- GRADE BEAM DIMENSIONS MAY VARY BY -5%, +20%.
- REMOVE ANY AND ALL BAD SOIL IN FOOT PRINT AND REPLACE WITH A4 SELECT.
- ALL SOIL BELOW SLAB SHALL RECEIVE TERMITE TREATMENT.

DAMMON
 ENGINEERING, INC.

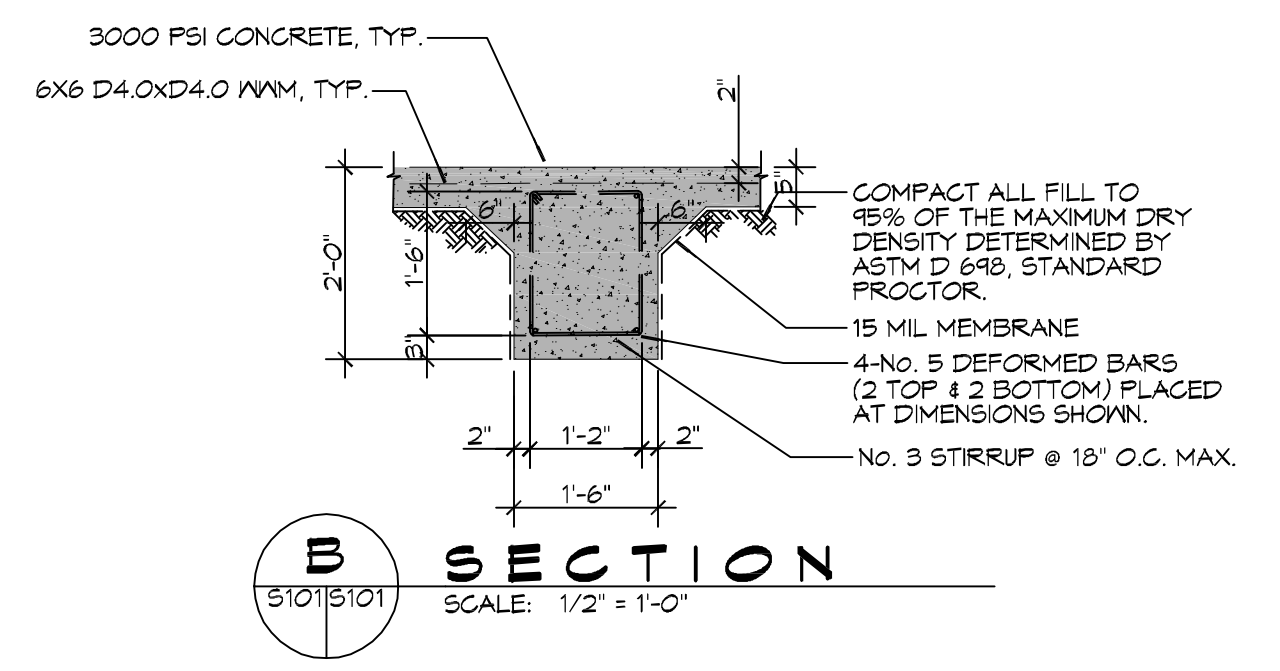
www.dammonengineering.com
 info@dammonengineering.com
 554 Old Spanish Trail
 Slidell, LA 70488
 Ph: 985.647.3522



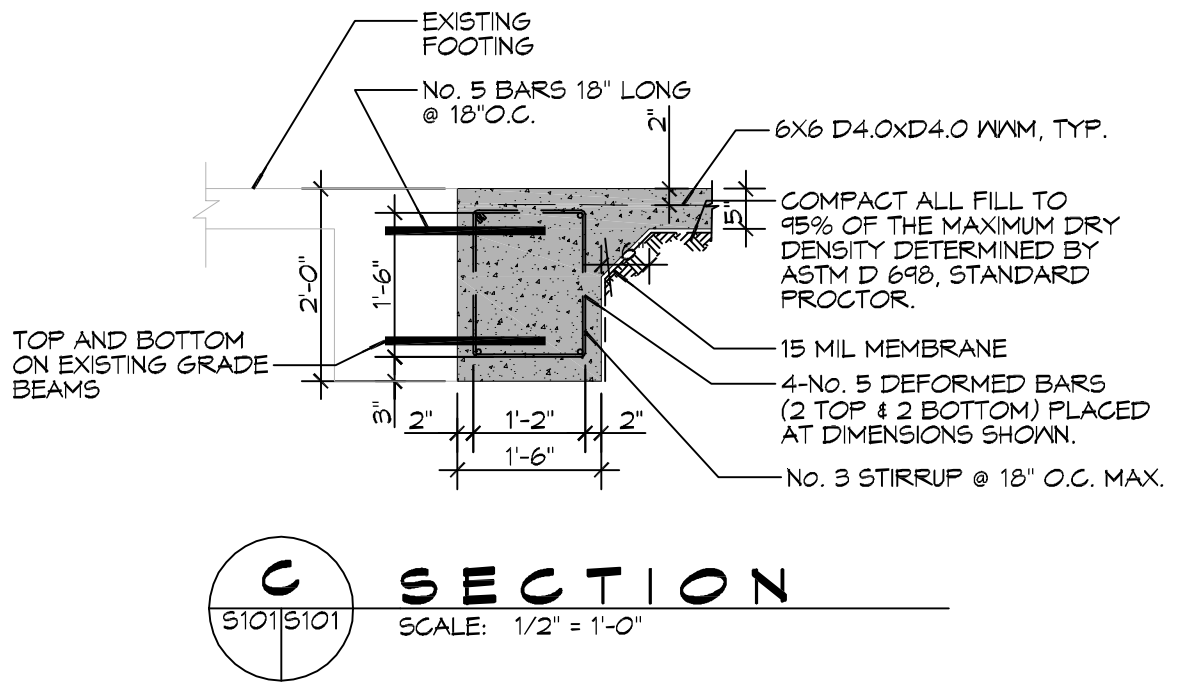
1 FOUNDATION PLAN
 SCALE: 1/4" = 1'-0"



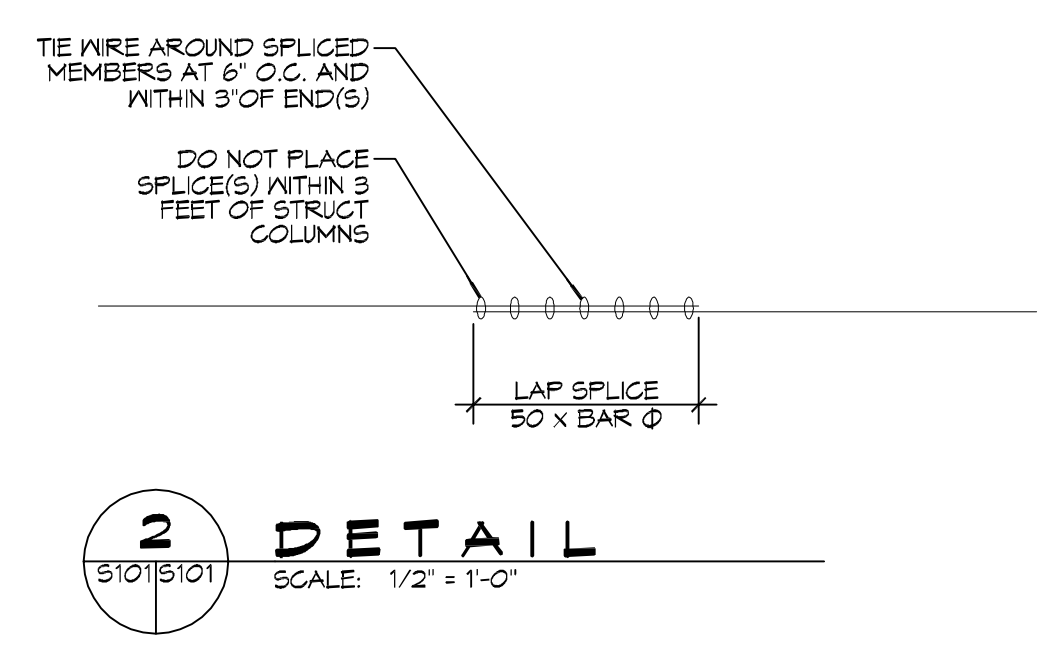
A SECTION
 SCALE: 1/2" = 1'-0"



B SECTION
 SCALE: 1/2" = 1'-0"

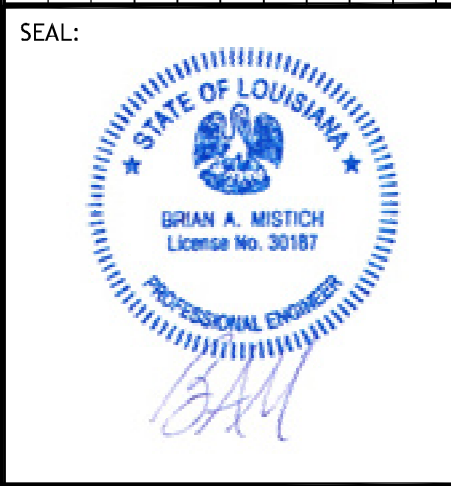


C SECTION
 SCALE: 1/2" = 1'-0"



2 DETAIL
 SCALE: 1/2" = 1'-0"

#	DESCRIPTION	DATE



STEPHEN & CANDY SPIEHEET
 93241 NORTH 2ND AVENUE
 ST. TAMMANY PARISH LA
 JOB No: 2020 DATE: 06-24-2020
 DRAWN BY: CKD CHECKED BY: CKD

SHEET TITLE:
FOUNDATION PLAN

DRAWING NUMBER:

S101