

DAMMON
ENGINEERING, INC.

CHIEF ENGINEER
EMMETT
DAMMON, P.E.

1095 FLORIDA AVENUE
SLIDELL, LA. 70456
OFFICE: 985-649-5652
FAX: 985-641-5950

WEBSITE:
WWW.DAMMONENGINEERING.COM
EMAIL:
DAMMONENG@BELLSOUTH.NET

ARCHITECTURE
ENGINEERING
STUDIES
PLANNING
INVESTIGATION
EXPERT WITNESS

RICCA
RESIDENCE

MARIA
RICCA
SLIDELL
LOUISIANA

FOUNDATION
PLAN

REV: 7-24-08

SCALE: AS NOTED

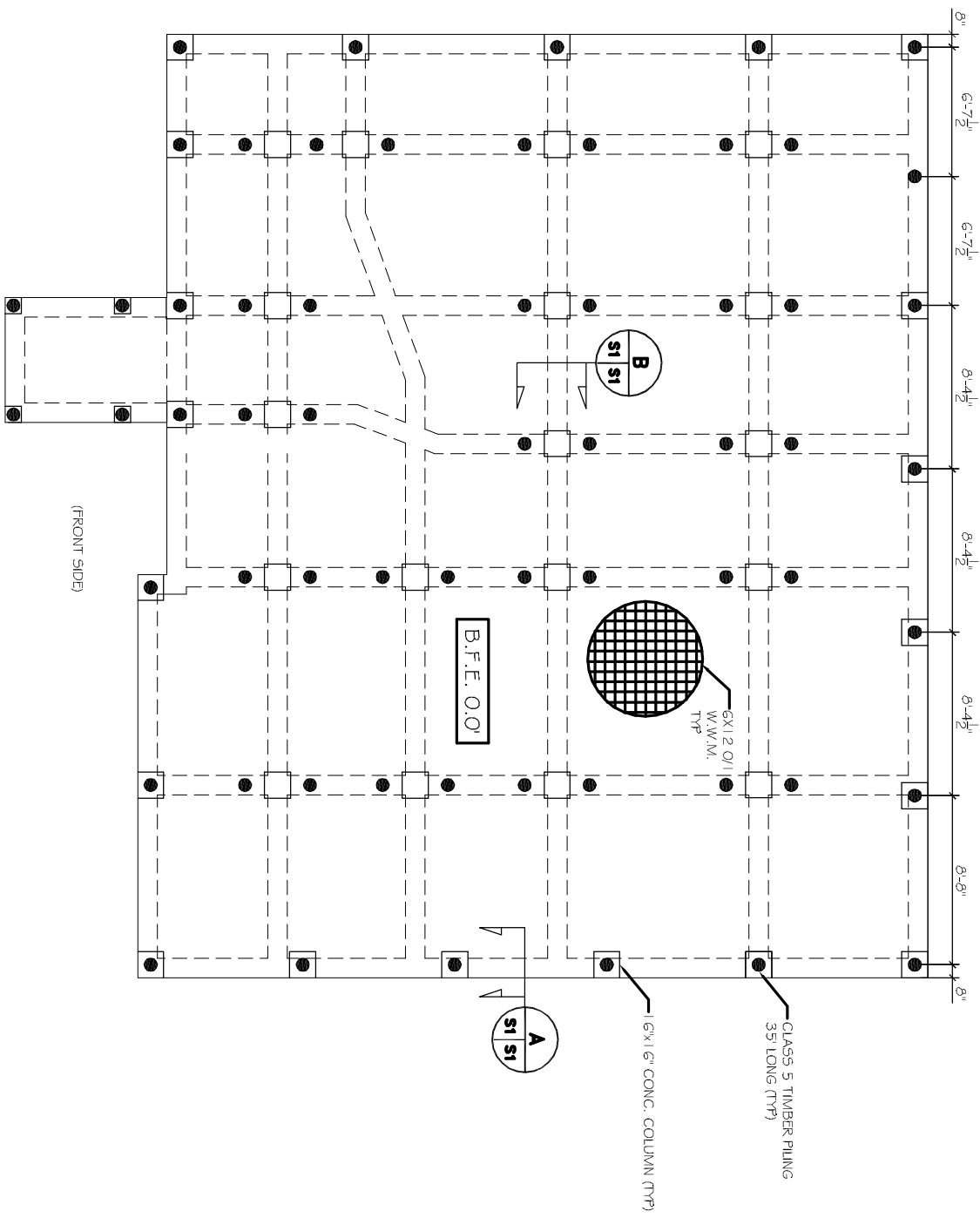
JOB#: 1852

DATE: 6-18-08

SHEET 3

S-1

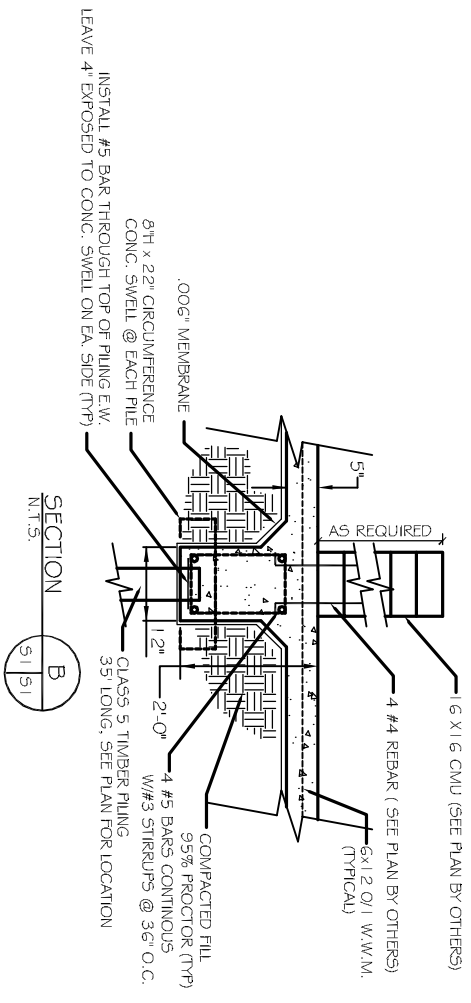
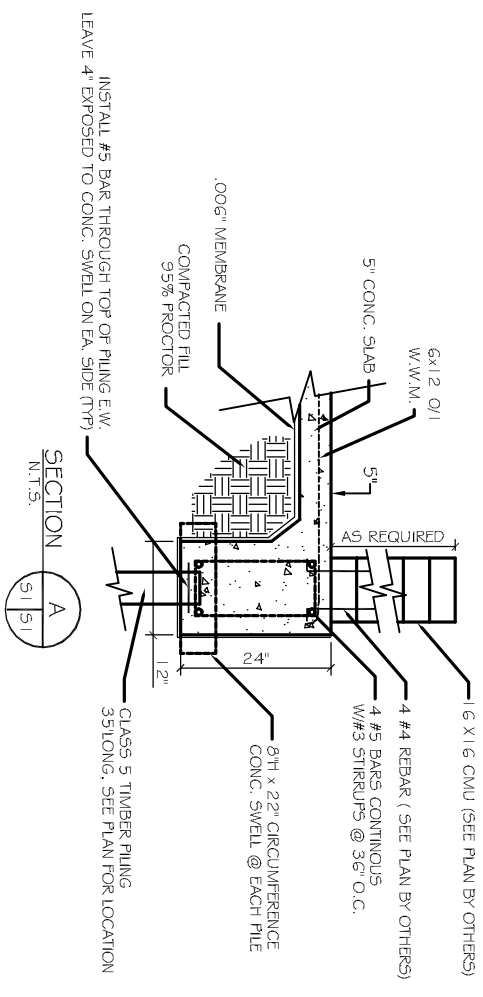
OF 16



FOUNDATION PLAN
SCALE: 1/4" = 1'-0"

NOTES:

1. CONTRACTOR SHALL FIELD VERIFY ALL DIMENSIONS, DEPRESSIONS PRIOR TO COMMENCING WORK.
2. DIRT SHALL BE INSTALLED IN 6" LIFTS AND COMPACTED TO 95% PROCTOR.
3. TREAT SOIL BELOW SLAB FOR TERMITES.
4. CONCRETE MIX SHALL BE 3000 PSI, MINIMUM.



PILING NOTES:

1. PILES SHALL BE TREATED TIMBER ASTM D25 QUALITY, CLASS 5 35' WITH 6" TIP AND 8" BUTT NORMAL TAPER TO BUTT.
2. CAPACITY SHALL BE 3.03 TONS EACH, DRIVEN TO 25 FT. BELOW NATURAL GRADE.