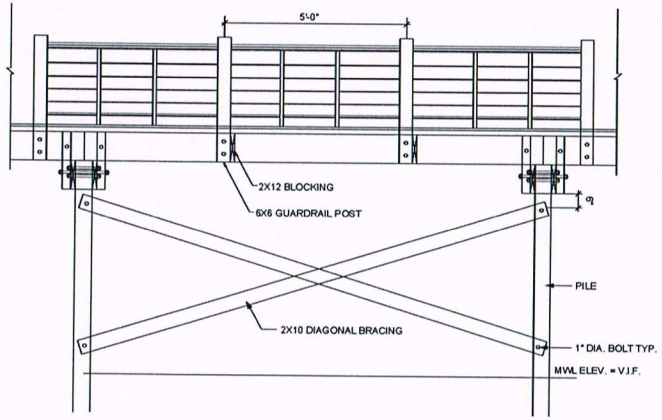
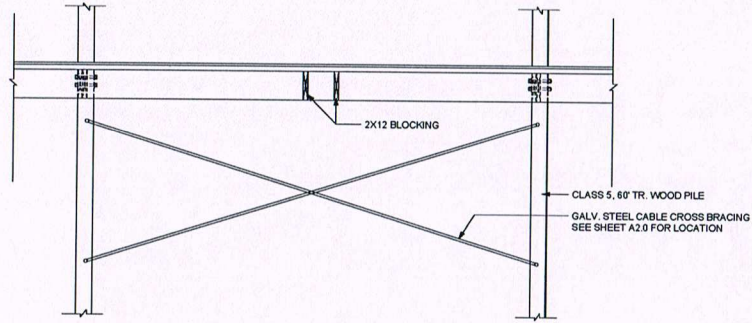


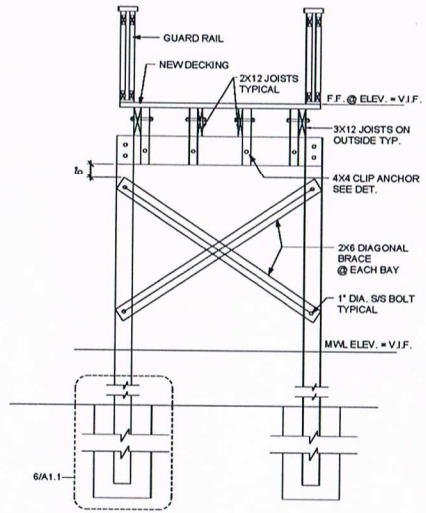
9/8/2014 8:46:37 AM



1 PIER DETAIL  
A1.2



2 CROSS BRACING (SEE FOUNDATION PLAN)  
A1.2



3 PIER DETAIL  
A1.2

**KVS**  
architecture

347 Girod Street, Mandeville, Louisiana  
985.674.3077 www.kvsarchitecture.com

NEW CONSTRUCTION FOR  
TERRILLION RESIDENCE  
25100 CHEF MENTEUR HWY. NEW ORLEANS, LA



REVISIONS:

DATE:  
SEPT. 8, 2014  
PROJECT No:  
14020  
DRAWING:

A1.2

SEPT. 8, 2014