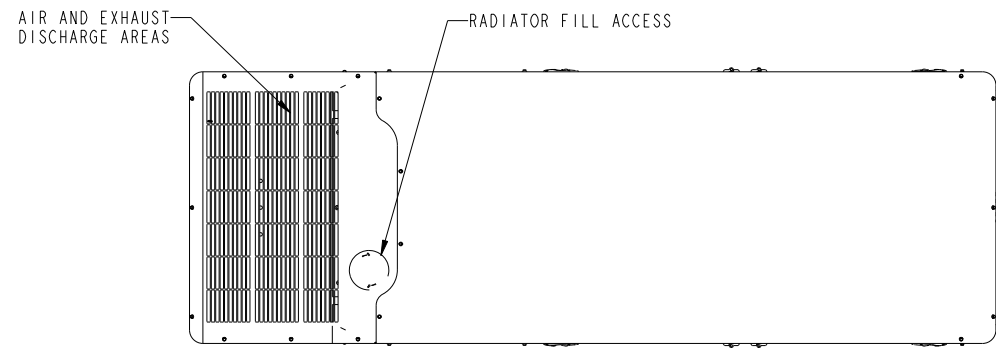
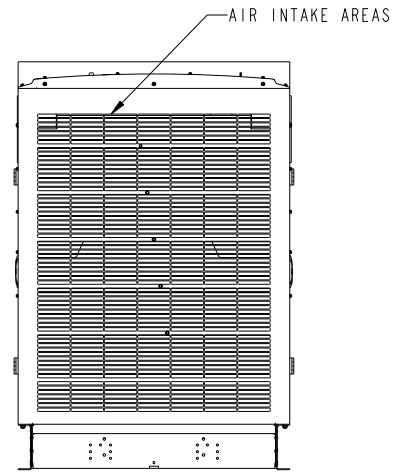


REL NO	LTR	NO	REVISION	OWN	CAD	APVD	DATE
ECO-152551	A	1	PRODUCTION_RELEASE	CG	NK	M.WICKMANN	14MAY15

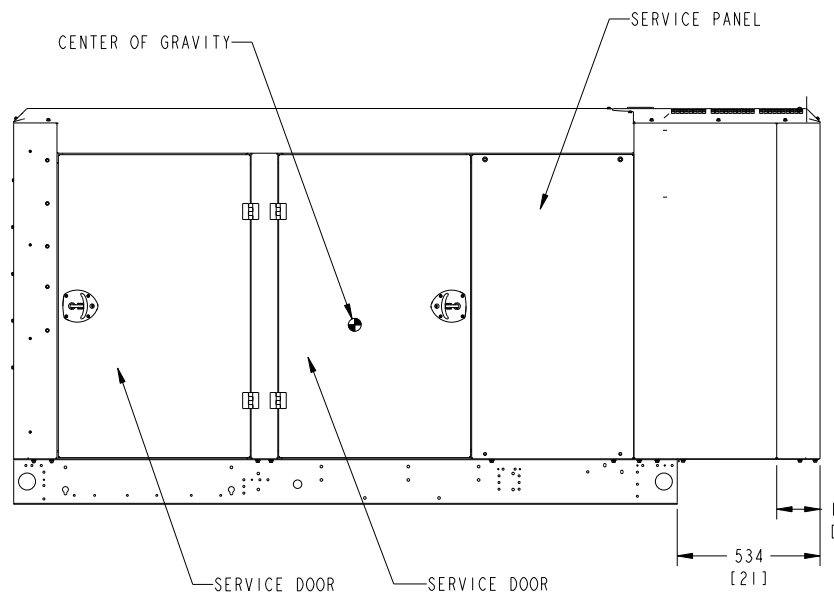
NOTES:

- DIM [] IN INCHES
- WHEN THE HOUSING INSTALLED ON AN OPEN GENERATOR SET, THE TOTAL WEIGHT WILL INCREASE BY 131.5 KG (290 LBS). THIS INCLUDES THE MUFFLER.
- THE CENTER OF GRAVITY (CG) OF THE GENERATOR SET WHEN EQUIPPED WITH THIS HOUSING SHIFTS APPROXIMATELY 65mm (2.55 inch) TOWARDS THE AIR DISCHARGE END OF THE HOUSING AND 42MM (1.66 INCH) HIGHER FROM THE GROUND, COMPARED TO THE EQUIVALENT NON-HOUSED PRODUCT WITH THE F179 SKID. SEE HOUSING READY SKID BASE OUTLINE DRAWING FOR CG LOCATION OF NON HOUSED PRODUCT.

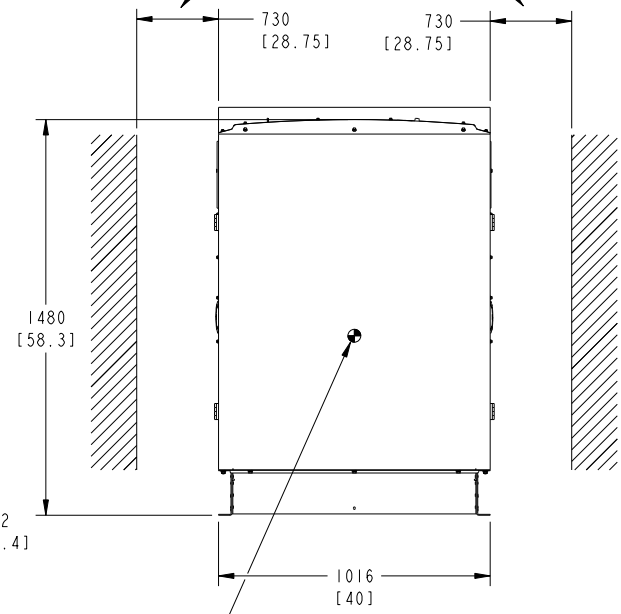


DISTANCE REQUIRED TO OPEN DOORS

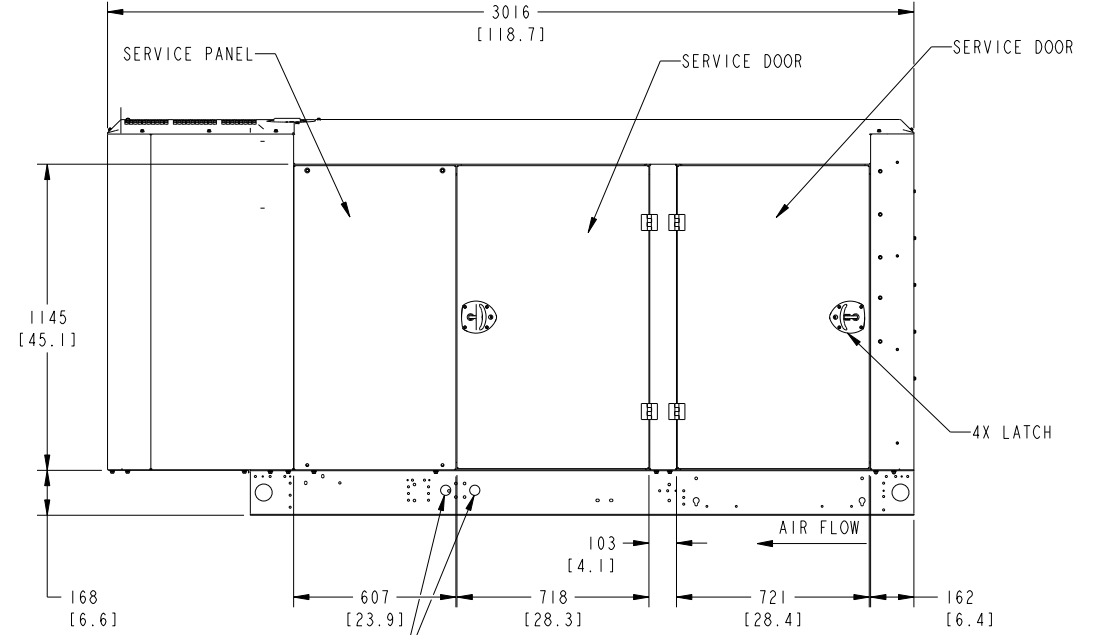
TOP VIEW



RIGHT SIDE VIEW



OUTLET VIEW

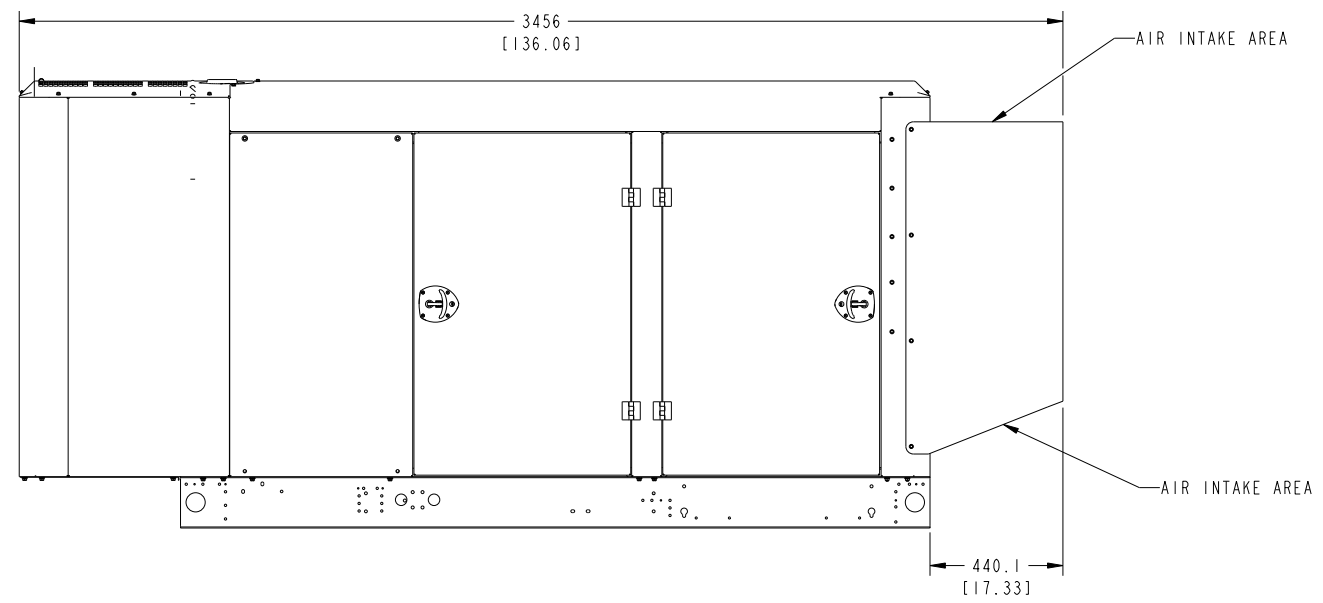
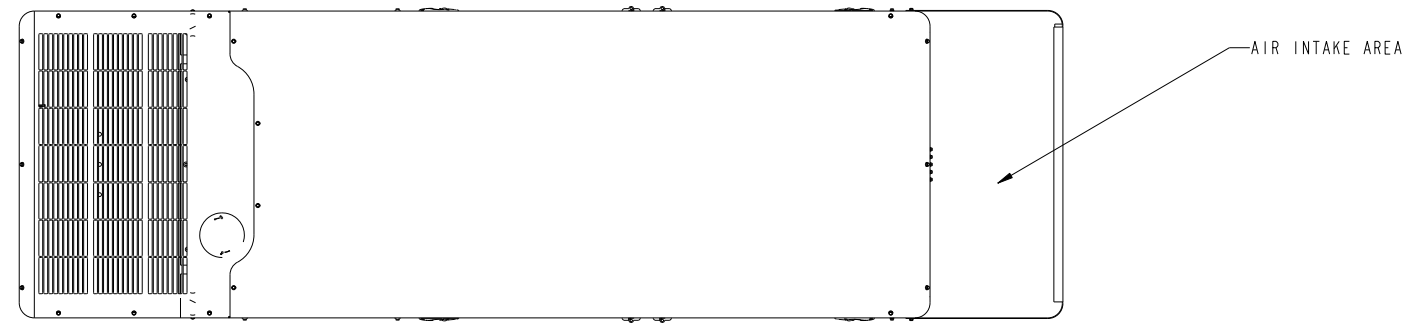


LEFT SIDE VIEW

F231-2 ENCLOSURE CONFIGURATION

UNLESS OTHERWISE SPECIFIED, ALL DIMENSIONS ARE IN MILLIMETERS		SIM 10 NONE	OWN C.GADE		CUMMINS POWER GENERATION	
DO NOT SCALE PRINT		OWN N.KASIBHOTLA	OUTLINE, ENCLOSURE			
CH	X ± 1	0.00- 4.99 +0.15/-0.08	APVD M.WICKMANN		PGF	SHEET 1 OF 2
	.X ± 0.8	5.00- 9.99 +0.20/-0.10	DATE 14MAY15			
	.XX ± 0.38	10.00-17.49 +0.25/-0.13				
		17.50-24.99 +0.30/-0.13				
ANG TOL: ± 1.0°		SCALE: ~3/32	FOR INTERPRETATION OF DIMENSIONS AND TOLERANCING, SEE ASME Y14.5M-1994			

REL NO	LTR	NO	REVISION	DWN	CAD	APVD	DATE
ECO-152551	A	1	PRODUCTION RELEASE	CG	NK	M. WICKMANN	14MAY15



F217-2 ENCLOSURE CONFIGURATION
REFER TO PAGE 1 (F231-2 ENCLOSURE FOR OTHER F217-2 ENCLOSURE DIMENSIONS.)

UNLESS OTHERWISE SPECIFIED, ALL DIMENSIONS ARE IN MILLIMETERS		SIM TO NONE	DWN C. GADE		CUMMINS POWER GENERATION										
DO NOT SCALE PRINT			CAD N. KASIBHOTLA		OUTLINE, ENCLOSURE										
<table border="1"> <tr> <td>X ± 1</td> <td>0.00- 4.99 +0.15/-0.08</td> </tr> <tr> <td>.X ± 0.8</td> <td>5.00- 9.99 +0.20/-0.10</td> </tr> <tr> <td>.XX ± 0.38</td> <td>10.00-17.49 +0.25/-0.13</td> </tr> <tr> <td></td> <td>17.50-24.99 +0.30/-0.13</td> </tr> </table>	X ± 1	0.00- 4.99 +0.15/-0.08	.X ± 0.8	5.00- 9.99 +0.20/-0.10	.XX ± 0.38	10.00-17.49 +0.25/-0.13		17.50-24.99 +0.30/-0.13	<table border="1"> <tr> <td>APVD M. WICKMANN</td> <td>DATE 14MAY15</td> </tr> </table>	APVD M. WICKMANN	DATE 14MAY15	SITE CODE			
X ± 1	0.00- 4.99 +0.15/-0.08														
.X ± 0.8	5.00- 9.99 +0.20/-0.10														
.XX ± 0.38	10.00-17.49 +0.25/-0.13														
	17.50-24.99 +0.30/-0.13														
APVD M. WICKMANN	DATE 14MAY15														
ANG TOL: ± 1.0°	SCALE: ~3/32	<p>CONFIDENTIAL</p> <p>FOR INTERPRETATION OF DIMENSIONS AND TOLERANCING, SEE ASME Y14.5M-1994</p>	<p>FIRST USED ON ARROW</p>	PGF	<table border="1"> <tr> <td>SHEET 2 OF 2</td> <td>REV A</td> </tr> </table>	SHEET 2 OF 2	REV A								
SHEET 2 OF 2	REV A														