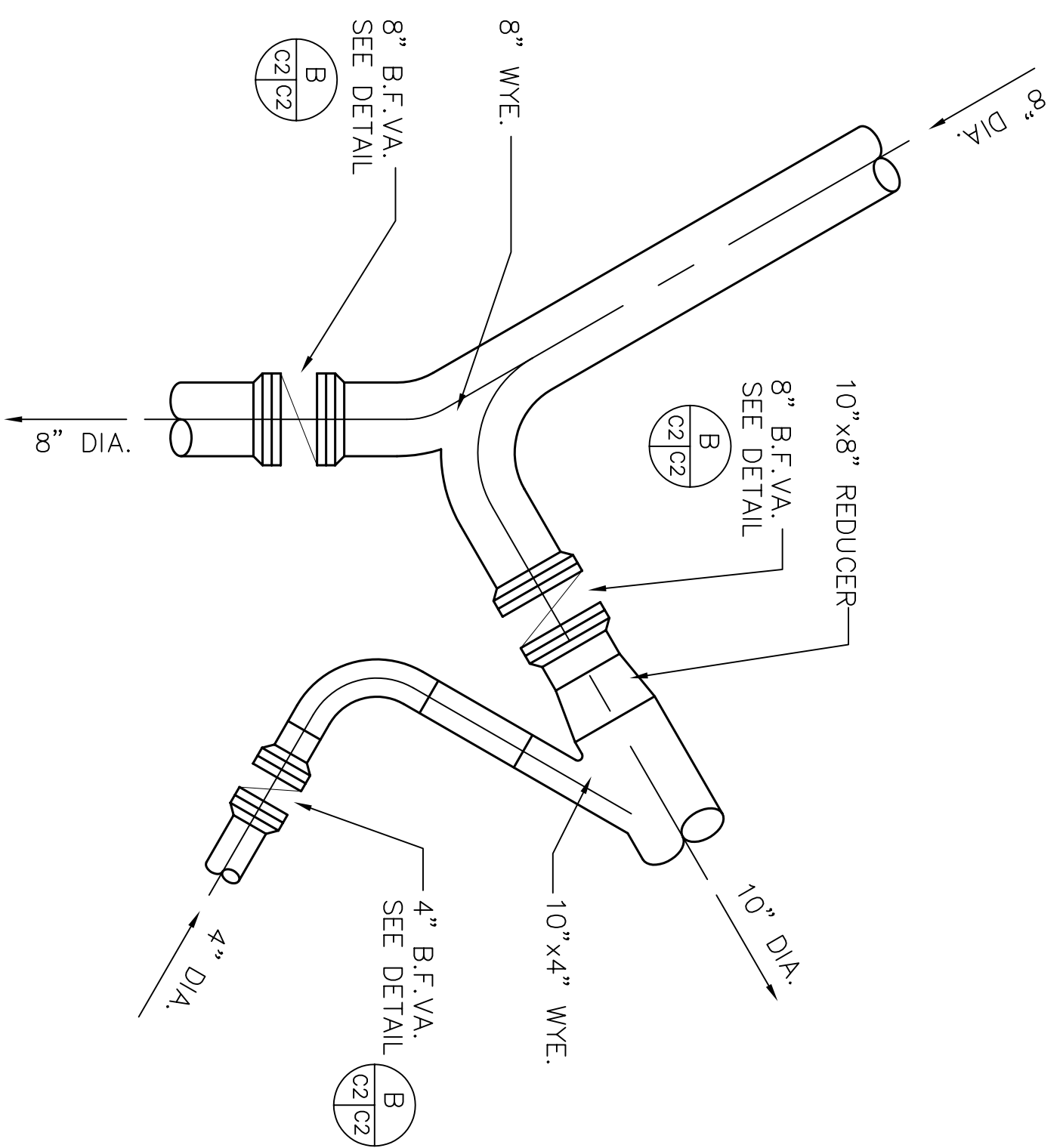
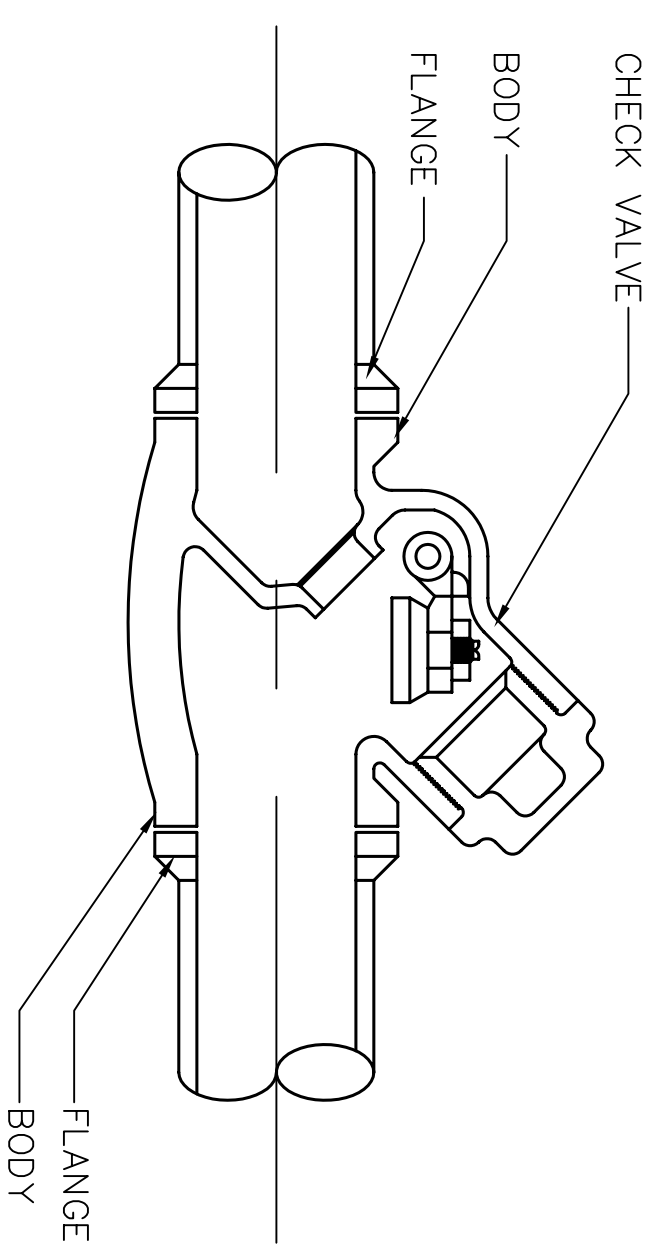


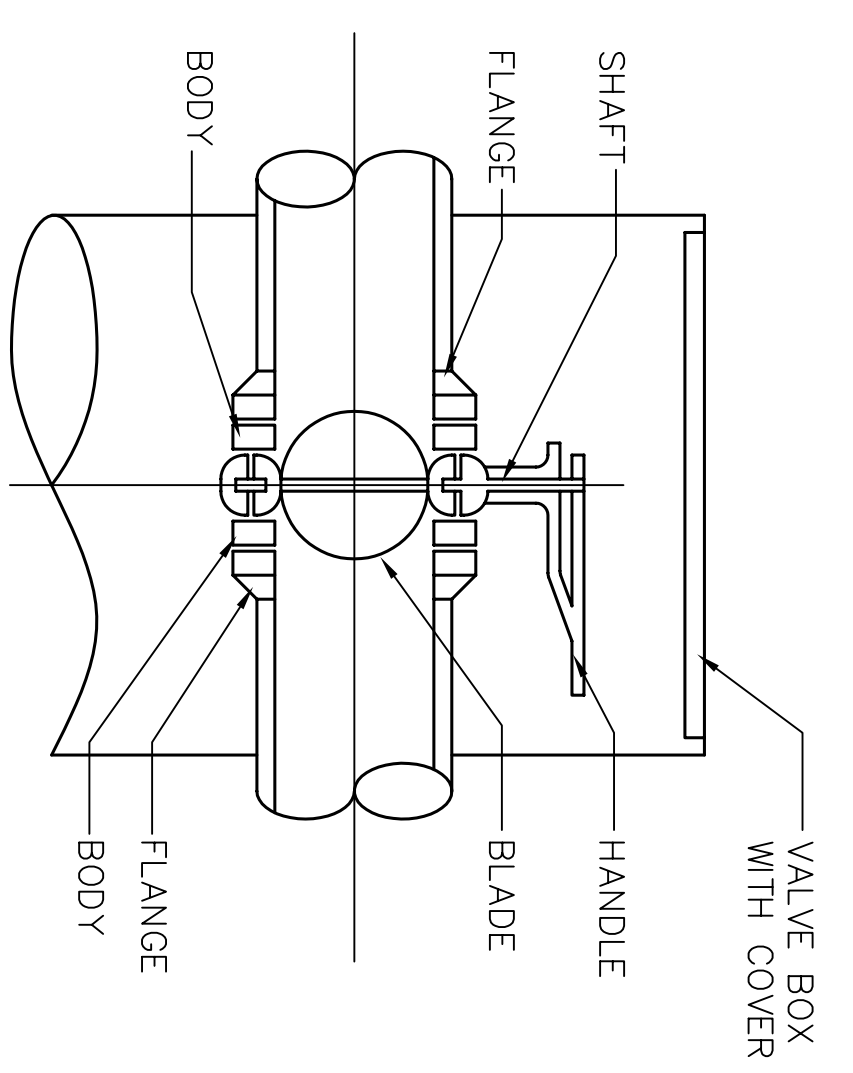
1 PUMP ARRANGEMENT
Scale: 3/8" = 1'-0"



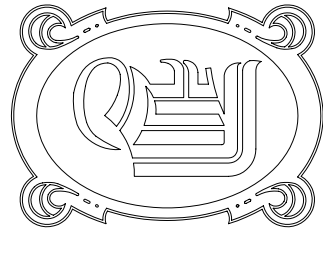
2 PUMPING SYSTEM CONFLUENCE
Scale: 3/4" = 1'-0"



A SDR-11 CHECK VALVE CROSS-SECTION
Scale: 1 1/2" = 1'-0"



B SDR-11 BUTTERFLY VALVE CROSS-SECTION
Scale: 1 1/2" = 1'-0"



DAMMON
ENGINEERING, INC.

EMMETT
DAMMON

ARCHITECT
ROBERT
WILTSE

1095 FLORIDA AVENUE
SLIDELL, LA. 70458
985-649-5832

WEBSITE:
WWW.DAMMONENGINEERING.COM

EMAIL:
DAMMONENG@BELLSOUTH.NET

ARCHITECTURE
ENGINEERING
STUDIES
PLANNING
INVESTIGATION
EXPERT WITNESS

TANGIPAHOA
STORMWATER
PUMPING
SYSTEM

TANGIPAHOA
PARISH,
LOUISIANA

PIPING
DETAILS

REV:	
SCALE:	AS NOTED
JOB#:	1964
DATE:	5-09-08
SHEET	2

C-2