

DAMMON
ENGINEERING, INC.

CHIEF ENGINEER
EMMETT
DAMMON, P.E.

CHIEF ARCHITECT
ROBERT
WILTSE

1095 FLORIDA AVENUE
SLIDELL, LA, 70458
OFFICE: 985-649-5832
FAX: 985-641-5950

WEBSITE:
WWW.DAMMONENGINEERING.COM
EMAIL:
DAMMONENG@BELL.SOUTH.NET

ARCHITECTURE
ENGINEERING

STUDIES

PLANNING

INVESTIGATION

EXPERT WITNESS

STUD WALL
CALCULATIONS

NAVARRSEFAC
NAS JRB NEW ORLEANS
BELLE, CHASSE LA
FOR
BROADMOOR, LLC

STUD WALL
DETAILS

REV.:

SCALE: AS NOTED

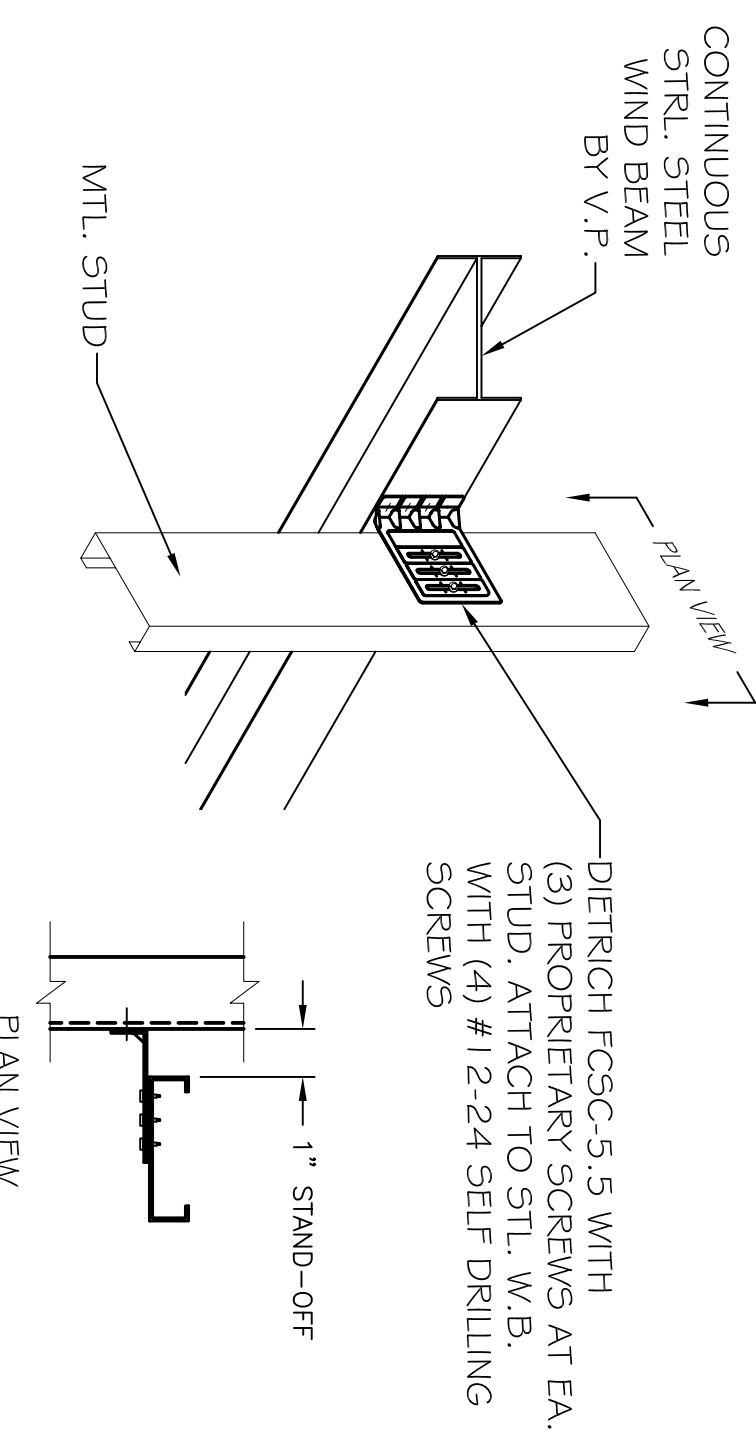
JOB#:

DATE: 03-10-2010

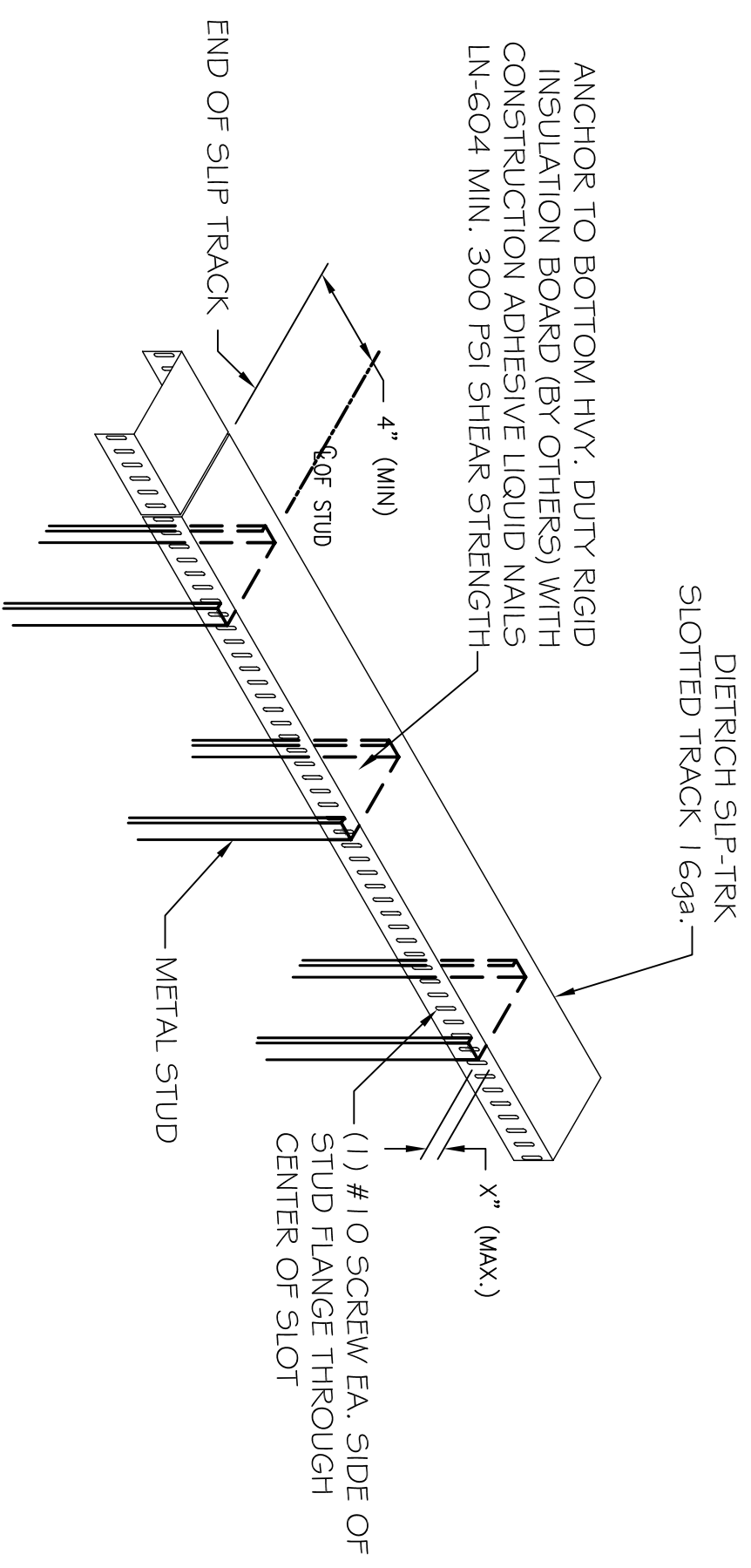
SHEET 3

A-3

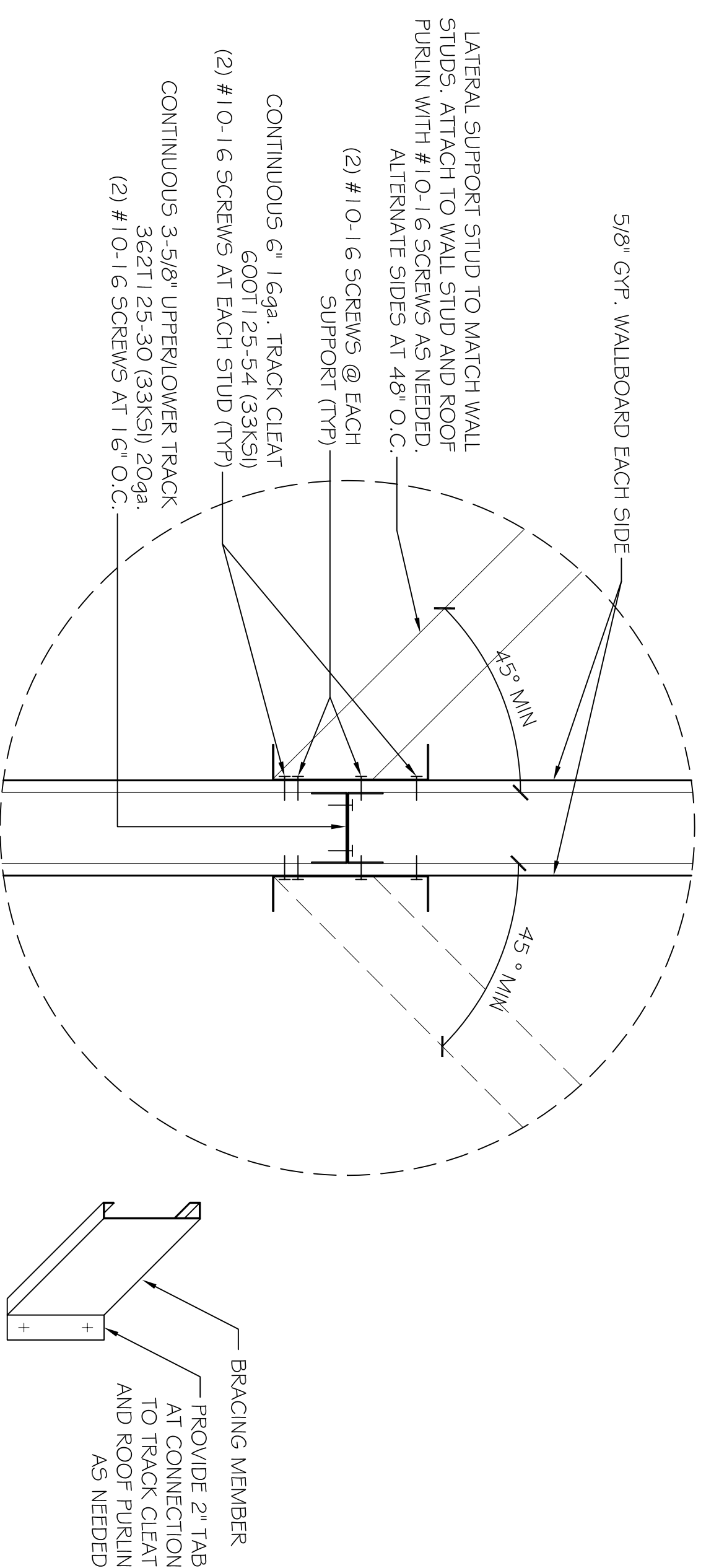
OF 3



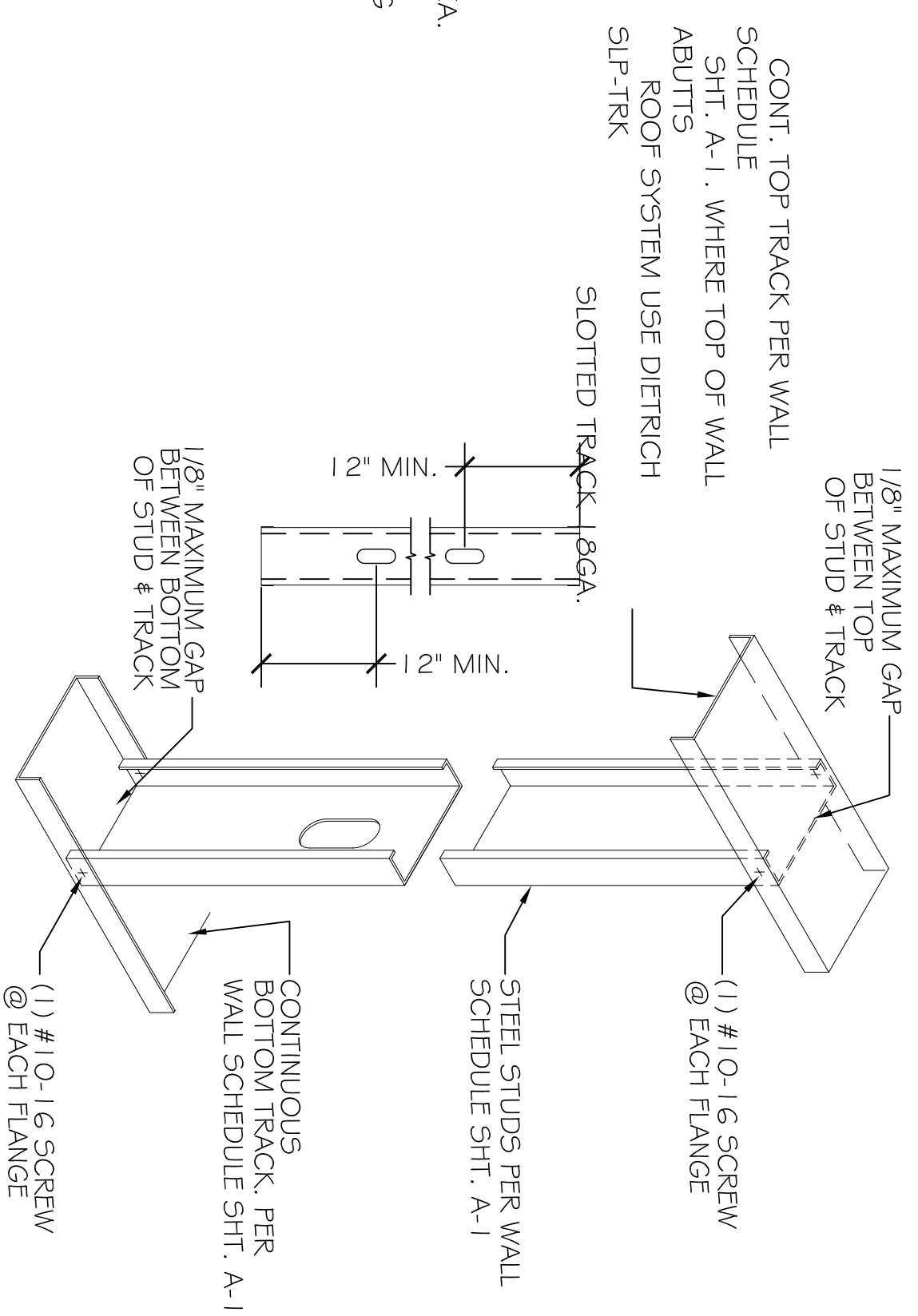
STUD TO WIND BEAM CONNECTION DETAIL
SCALE: N.T.S.



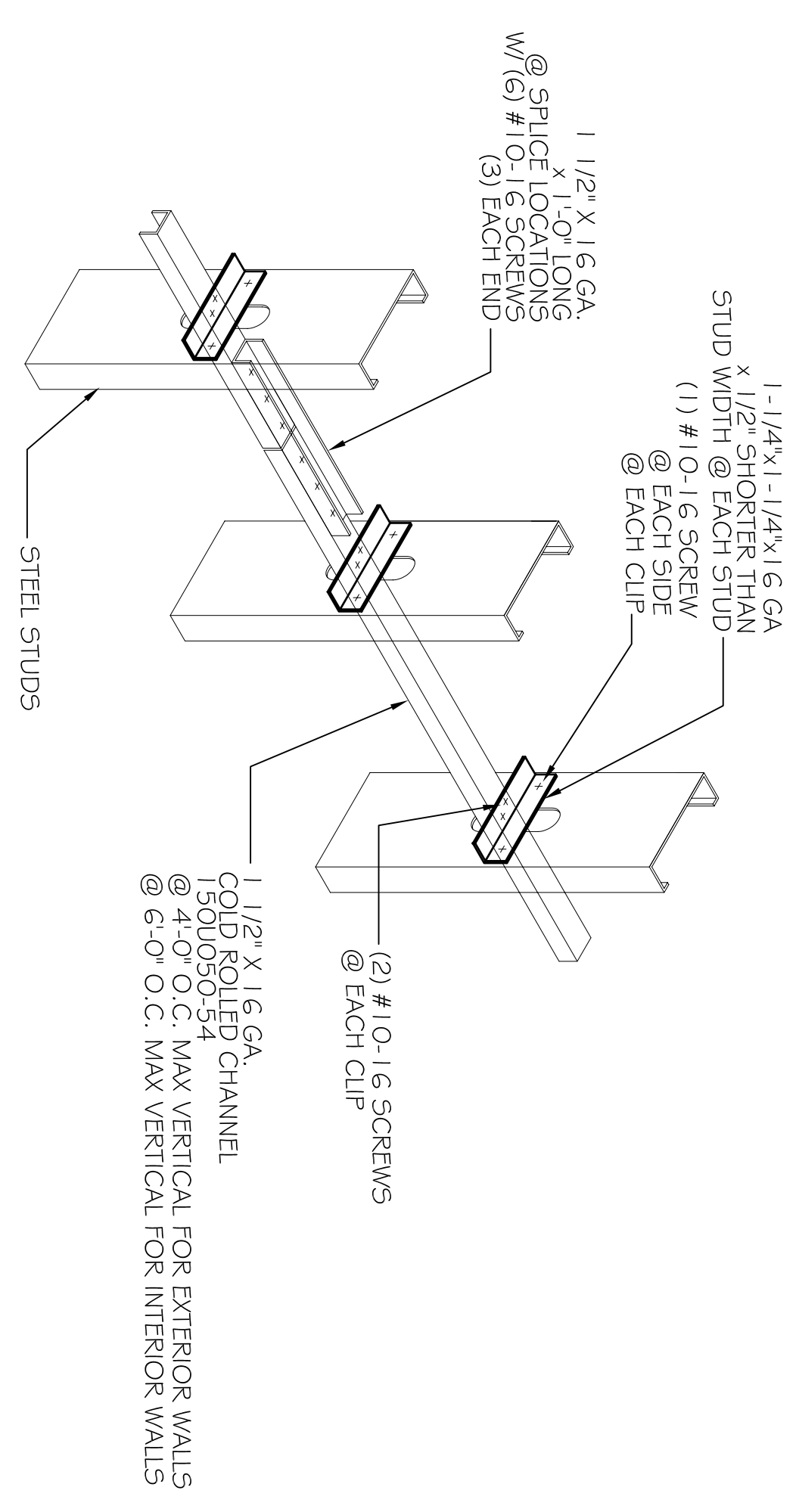
SLOTTED TOP TRACK CONNECTION DETAIL
SCALE: N.T.S.



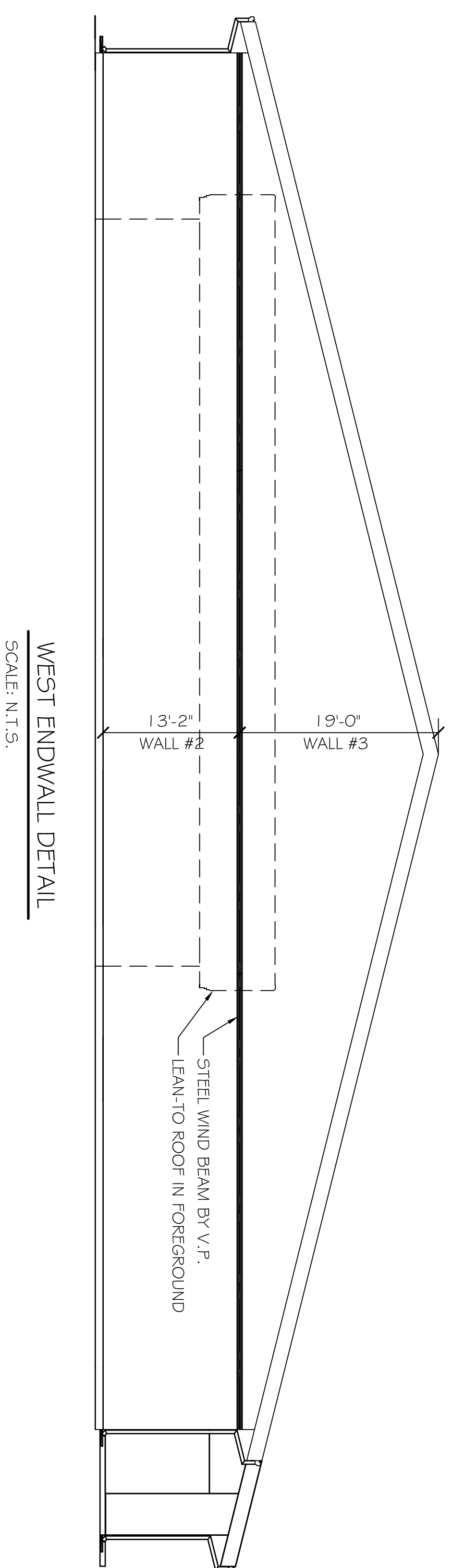
INTERIOR WALL LATERAL SUPPORT DETAIL
SCALE: N.T.S.



TRACK CONNECTION DETAIL
SCALE: N.T.S.



HORZ. BRACING DETAIL
SCALE: N.T.S.



WEST ENDWALL DETAIL
SCALE: N.T.S.

