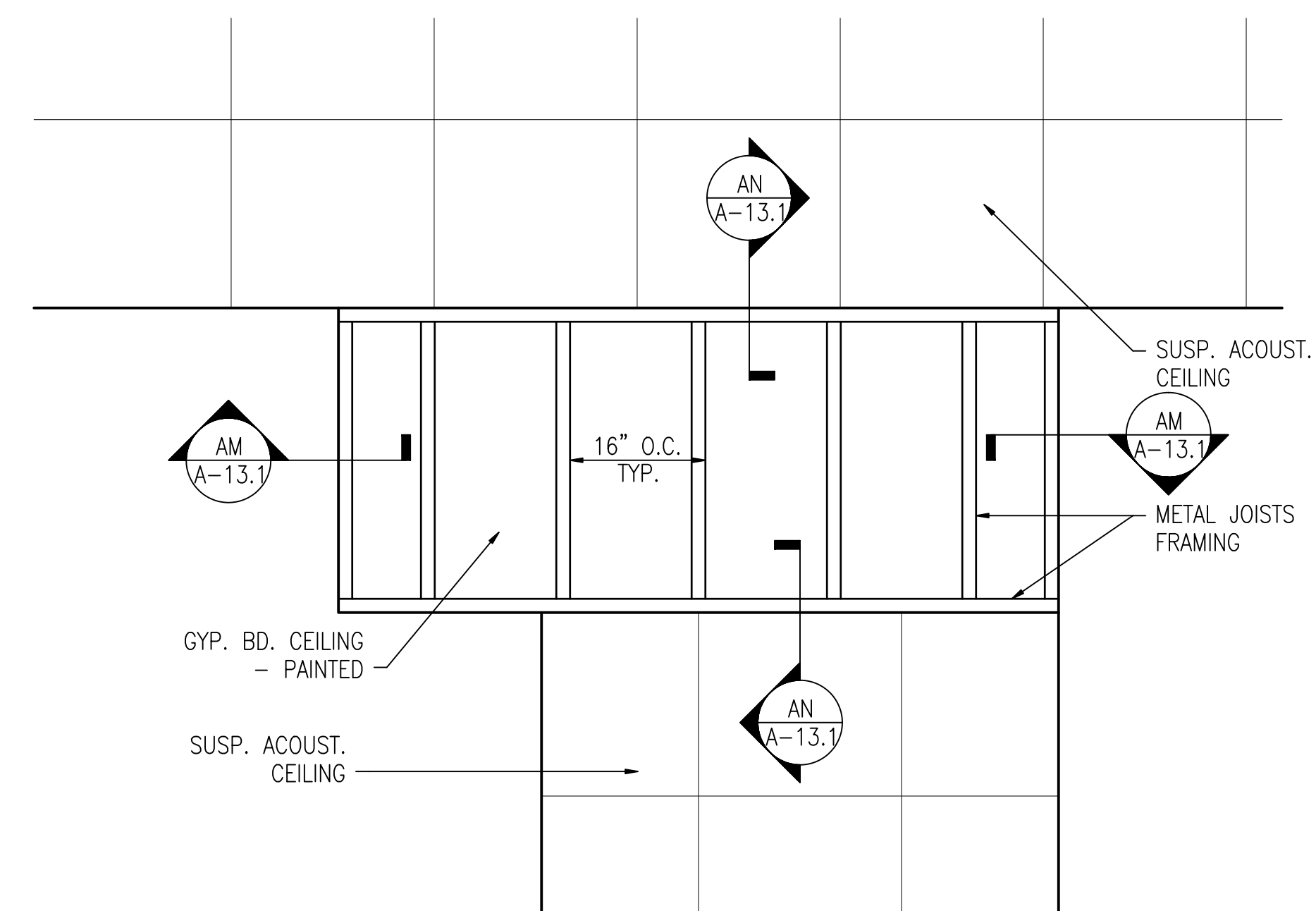
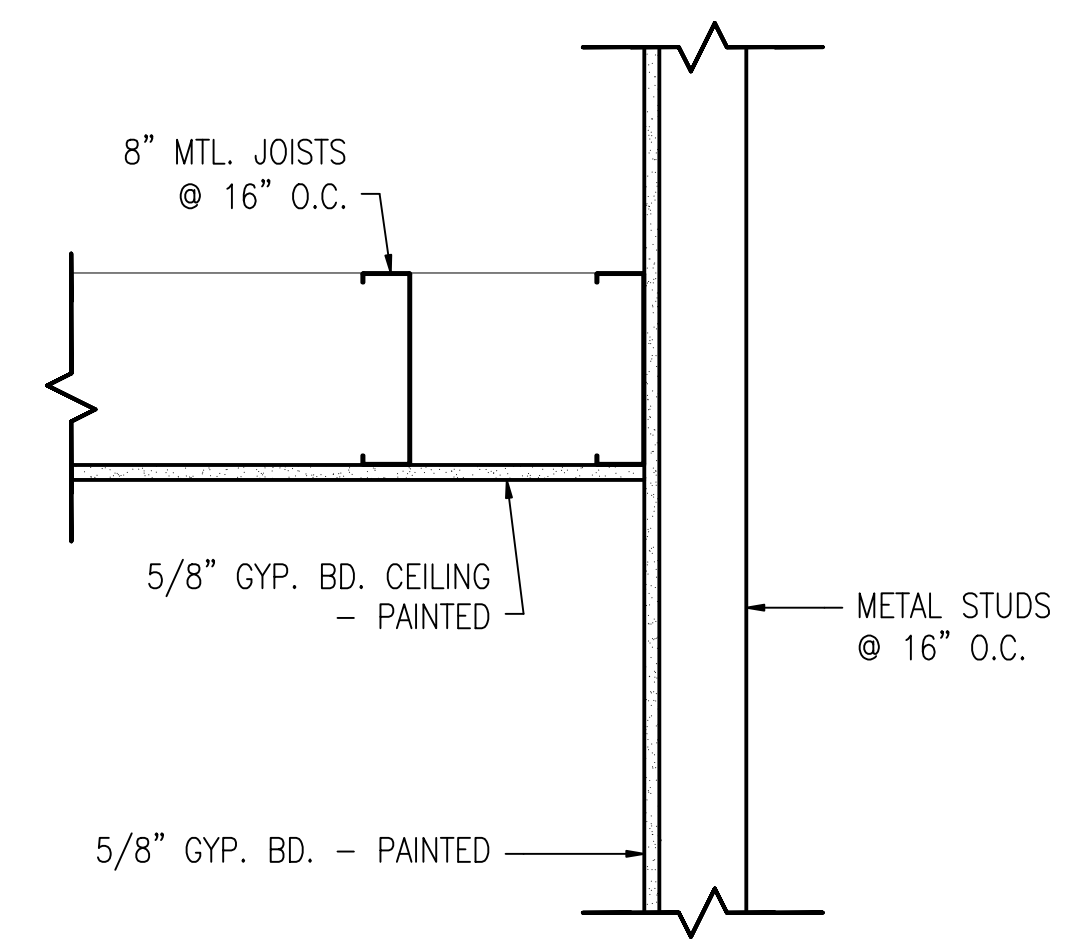


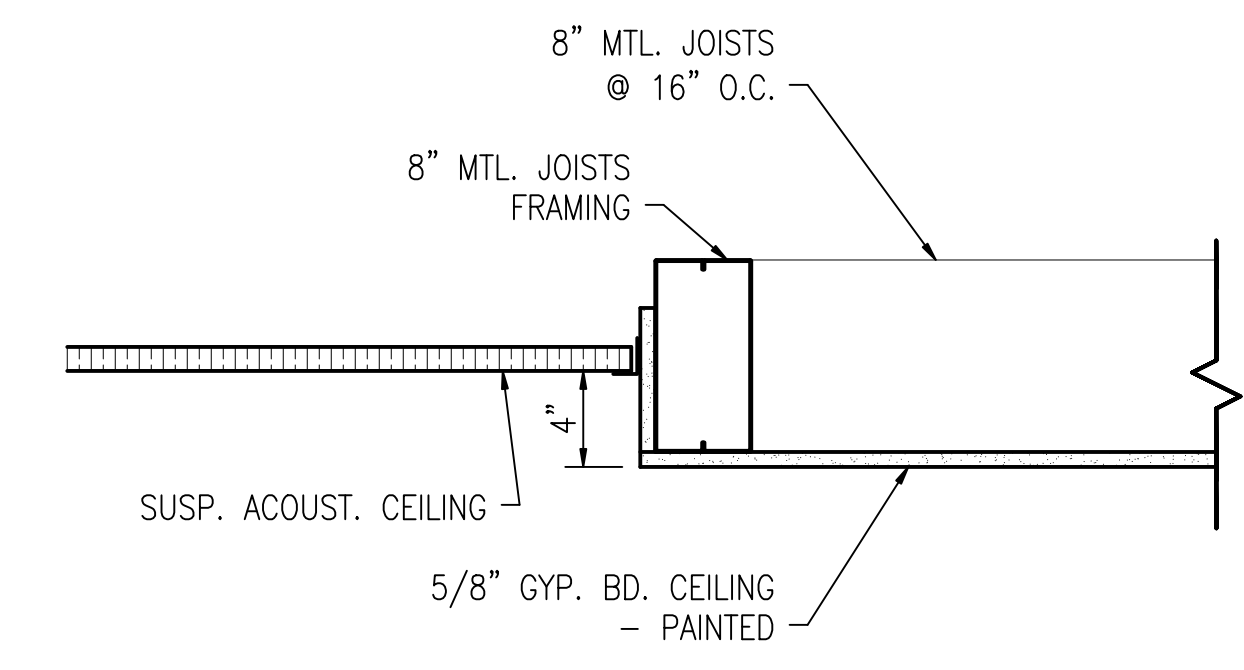
**SECTION**  
SCALE: 1" = 1'-0"  
A-02 **AG**



**PLAN DETAIL @ GYP. BD. CEILING FURRING**  
SCALE: 3/4" = 1'-0"  
A-12 **2**



**SECTION**  
SCALE: 1 1/2" = 1'-0"  
A-11.2 **AM**



**SECTION**  
SCALE: 1 1/2" = 1'-0"  
A-11.2 **AN**

ISSUED BY:  
Waldemar S. Nelson & Co.  
**FINAL DESIGN**  
29 / OCT / 2009

**WALDEMAR S. NELSON AND COMPANY**  
ENGINEERS AND ARCHITECTS  
1200 ST. CHARLES AVE. NEW ORLEANS, LA.

**BROADMOOR**  
BUILDING by DESIGN  
BROADMOOR, L.L.C.  
5749 North Armand Road  
Metairie, Louisiana 70002  
www.broadmoordesign.com

REV.	DESCRIPTION	DATE	APPROVED
0	FINAL DESIGN	10/29/09	P.S.

N/S JRB New Orleans  
Belle Chasse, Louisiana  
**NAVARSEFAC CALIBRATION BLDG.**  
WALL SECTIONS  
DATE: AUGUST 22, 2008  
EFD FOR COMMANDER, NAVFAC

**NAVARSEFAC**  
CALIBRATION BUILDING

RECORD DRAWING DATE	05/27/09
CODE I.D. NO.	-
DRAWING SIZE	<b>D</b>
SPEC. NO. 06-	-
CONSTRN. CONTR. NO.	-
NAVFAC DRAWING NO.	150.30906
SHEET 18 OF	<b>26</b>
A-11.2	