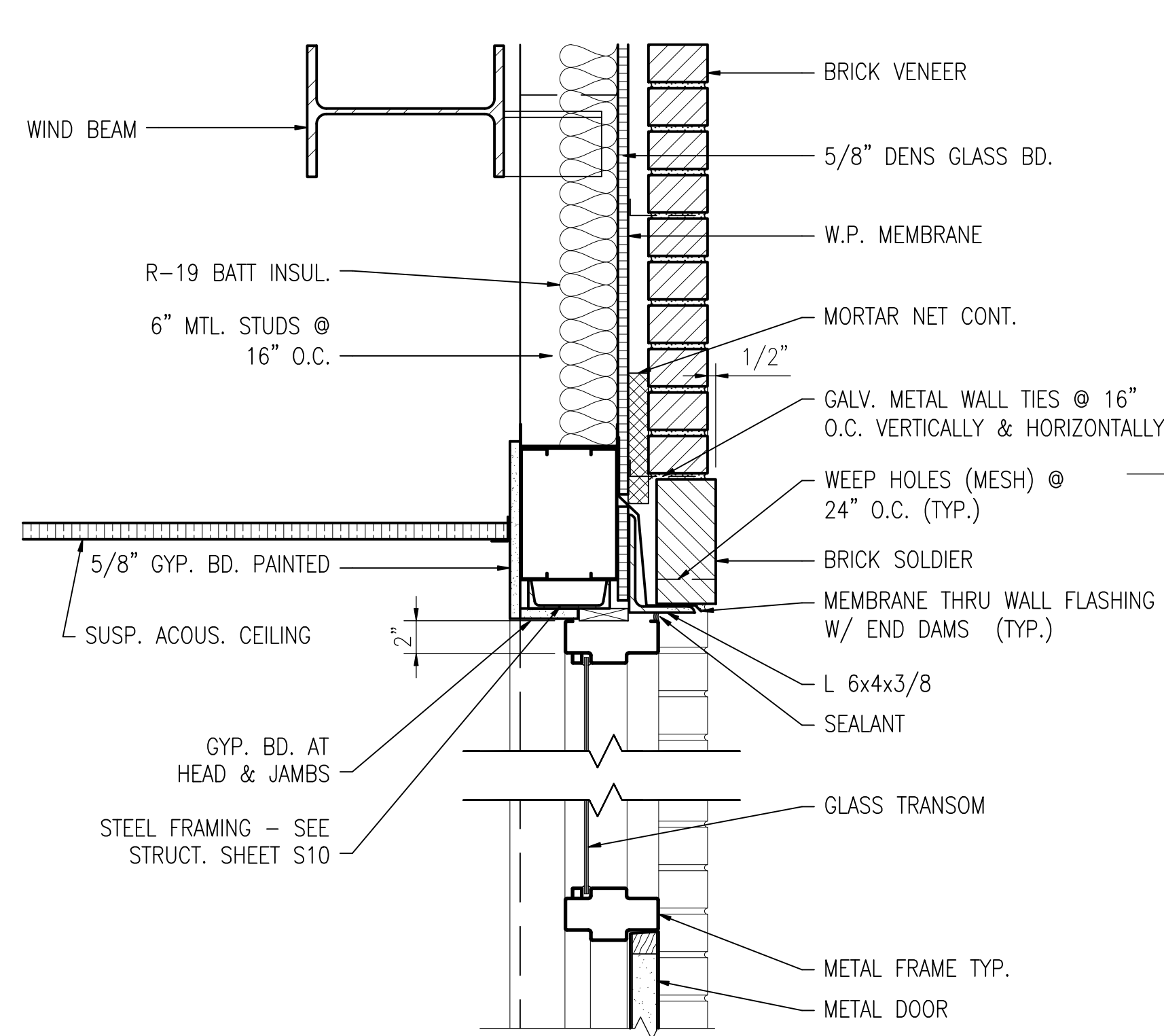
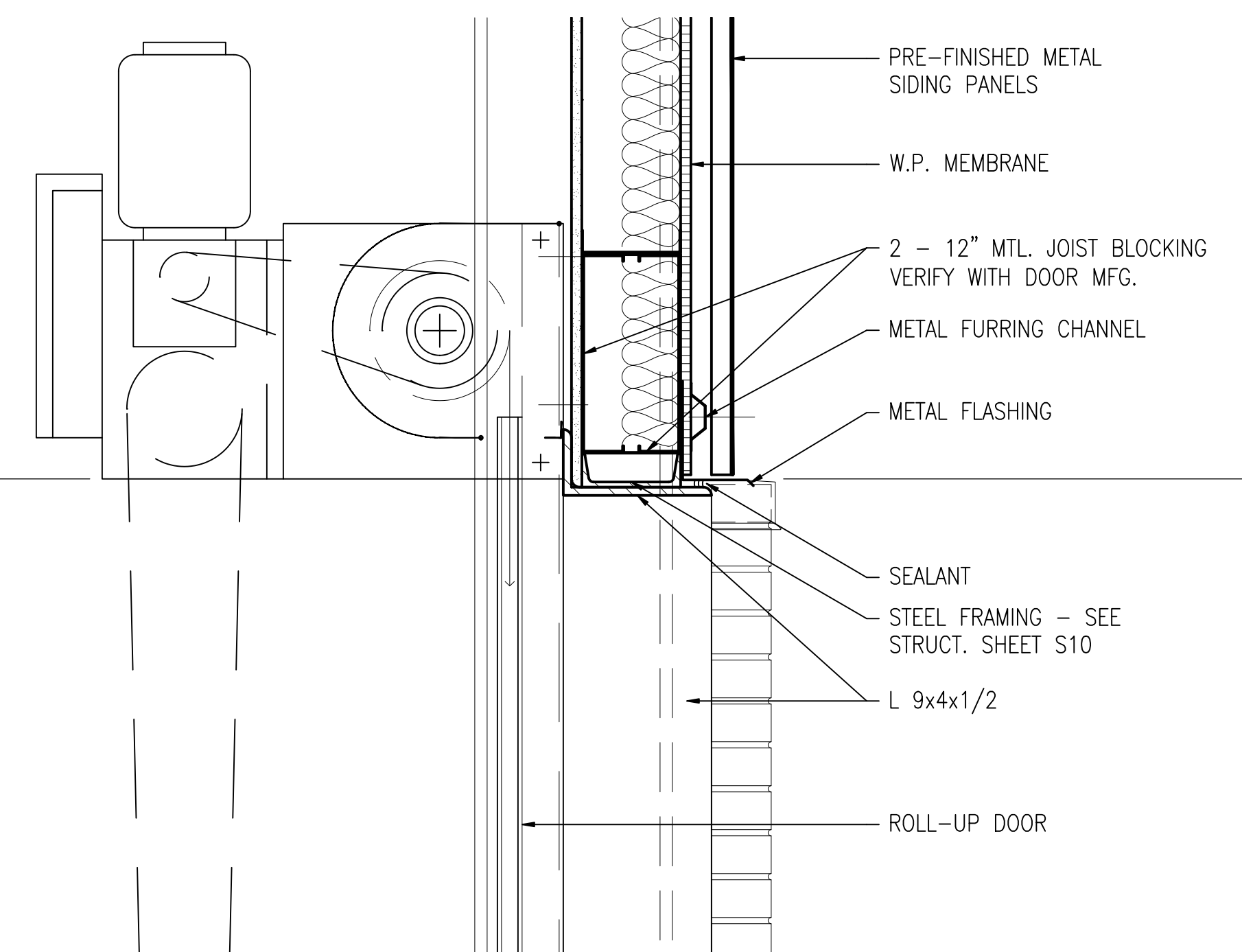


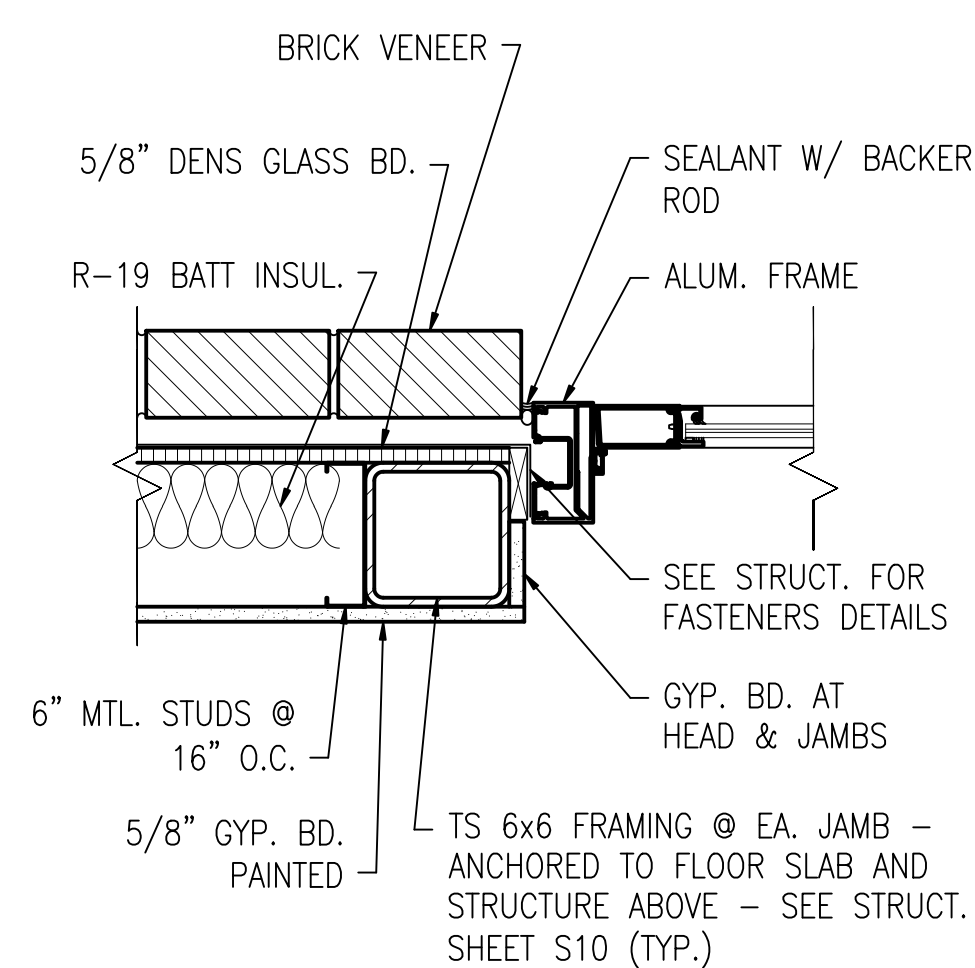
DOOR DETAIL - HEAD (D1)
SCALE: 1 1/2" = 1'-0" A-14



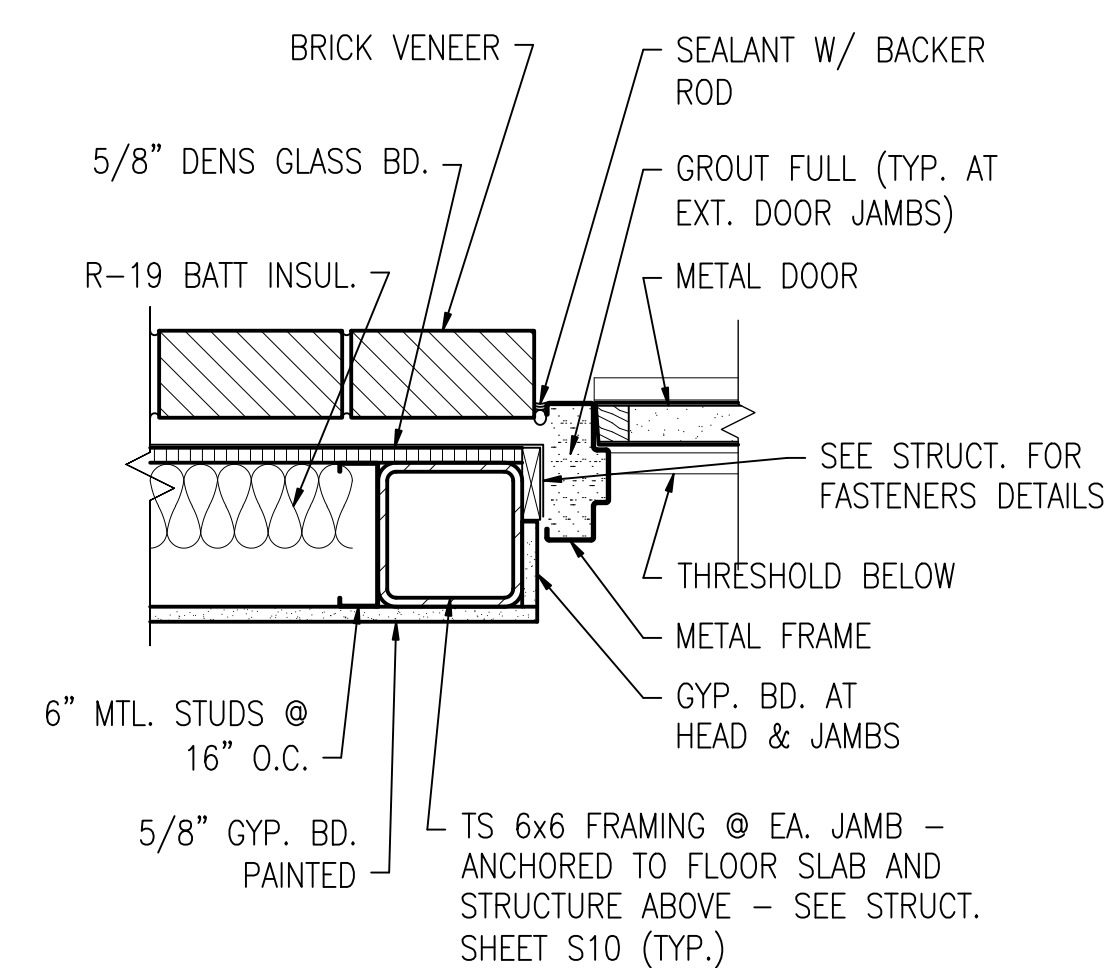
DOOR DETAIL - HEAD (D4)
SCALE: 1 1/2" = 1'-0" A-14



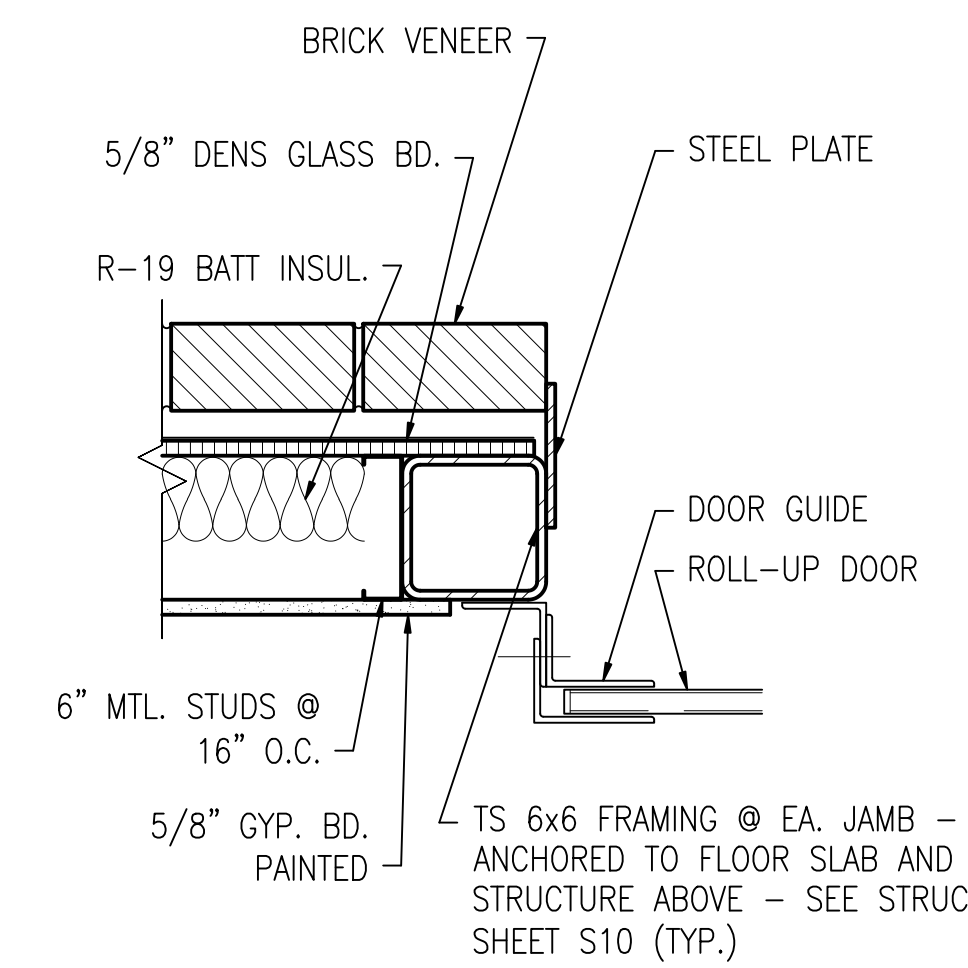
DOOR DETAIL - HEAD (D7)
SCALE: 1 1/2" = 1'-0" A-14



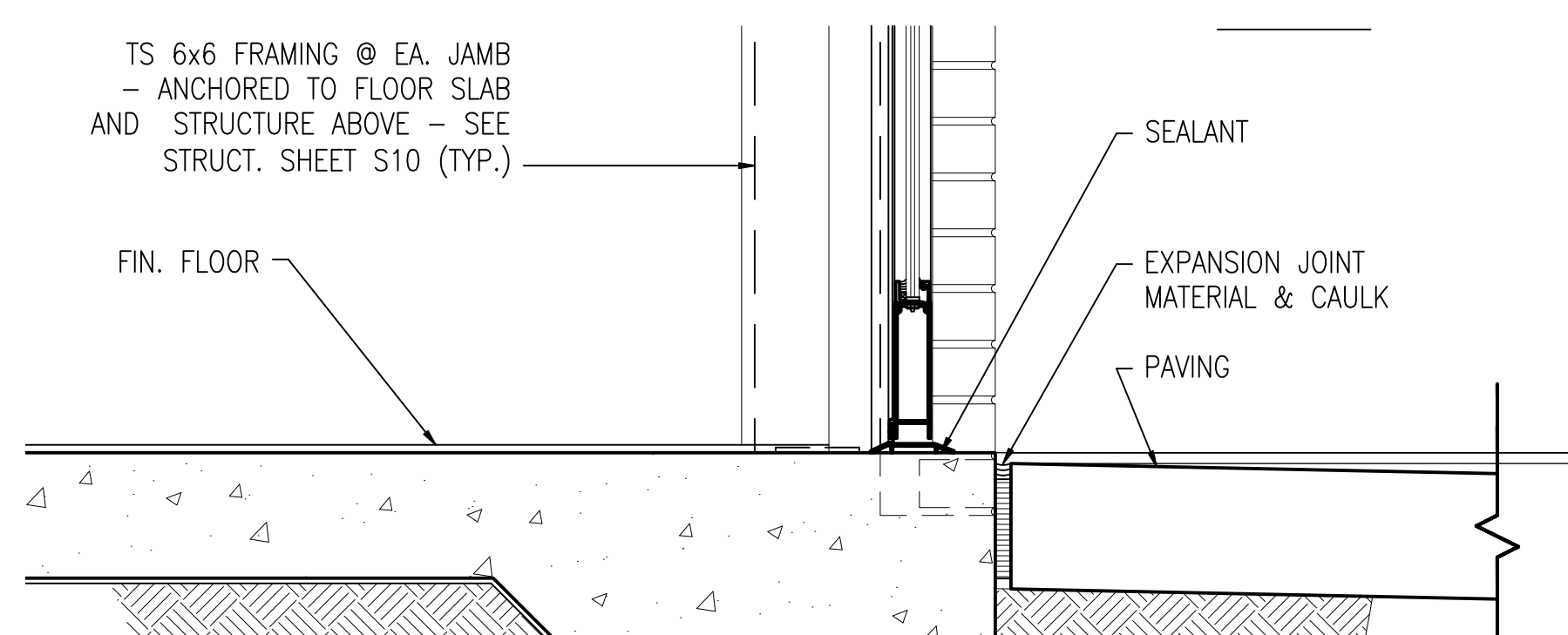
DOOR DETAIL - JAMB (D2)
SCALE: 1 1/2" = 1'-0" A-14



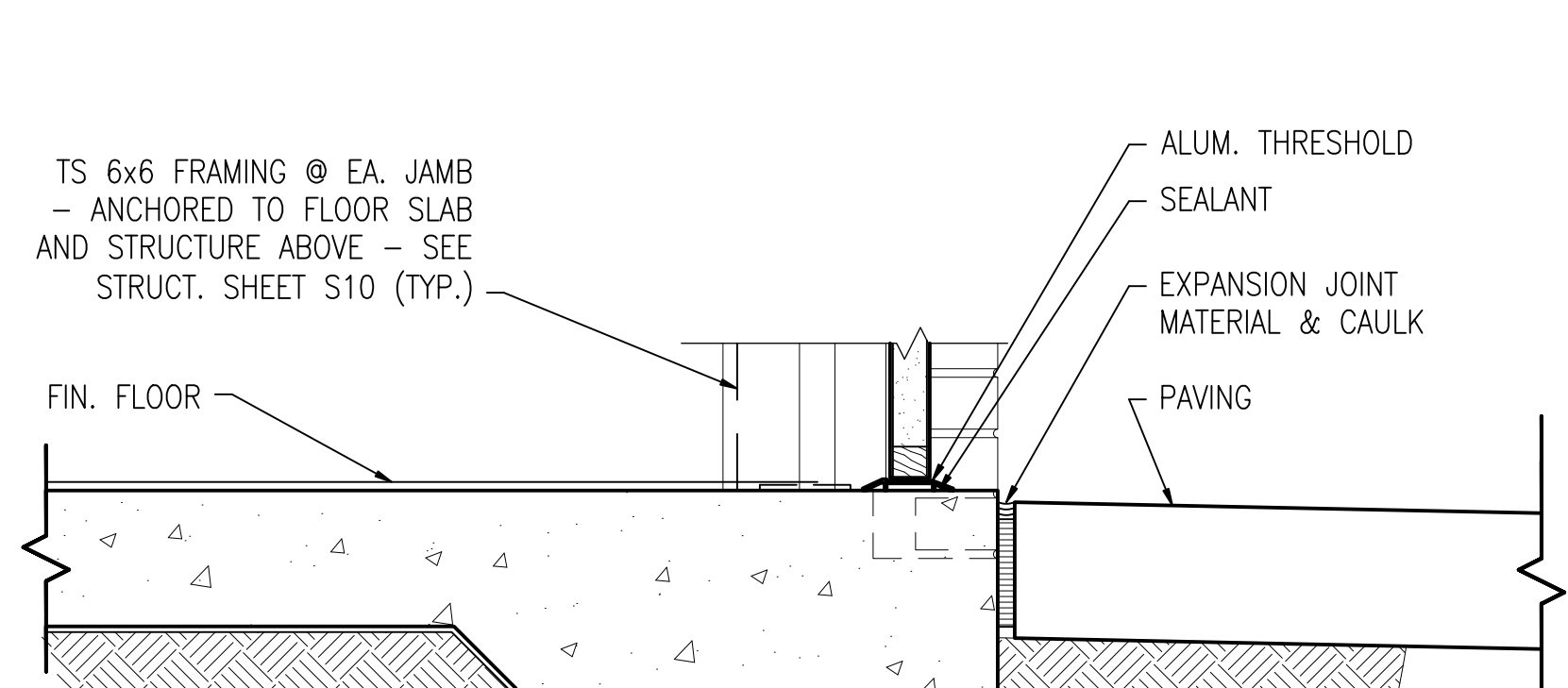
DOOR DETAIL - JAMB (D5)
SCALE: 1 1/2" = 1'-0" A-14



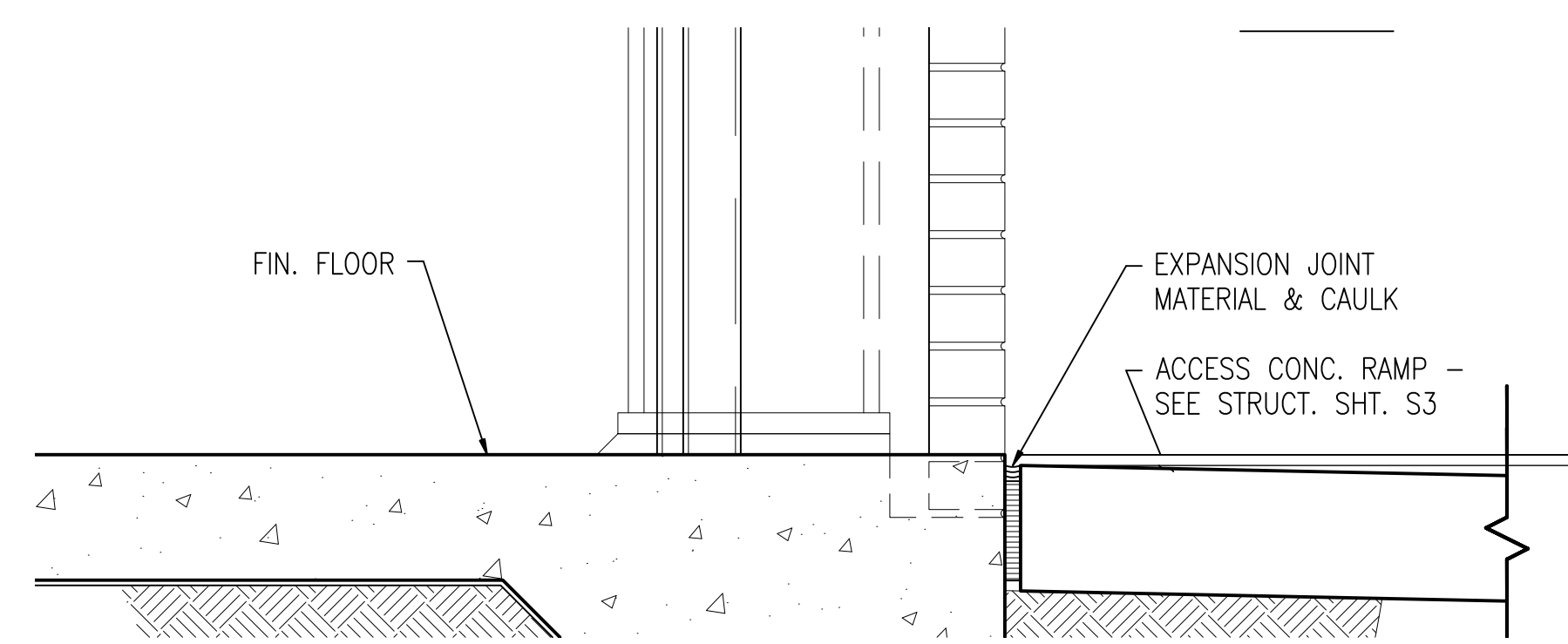
DOOR DETAIL - JAMB (D8)
SCALE: 1 1/2" = 1'-0" A-14



DOOR DETAIL - THRESHOLD (D3)
SCALE: 1 1/2" = 1'-0" A-14



DOOR DETAIL - THRESHOLD (D6)
SCALE: 1 1/2" = 1'-0" A-14



DOOR DETAIL - THRESHOLD (D9)
SCALE: 1 1/2" = 1'-0" A-14

BROADMOOR
BUILDING by DESIGN
BROADMOOR, L.L.C.
2740 North Annot Road
Metairie, Louisiana 70002
www.broadmoor.com

REV.	DESCRIPTION	DATE	BY	APP.
0	FINAL DESIGN	07/29/09		P.S.

MS JRB New Orleans
Belle Chasse, Louisiana
NAVIRSEFAC CALIBRATION BLDG.
DOOR DETAILS
DATE: AUGUST 23, 2008
ETD FOR COMMENCEE, NAVFAC

NAVFAC
Naval Facilities Engineering Command
Southeast Division, Jacksonville, FL

RECORD DRAWING DATE	05/27/09
CODE I.D. NO.	-
DRAWING SIZE	D
SPEC. NO. 06	-
CONSTR. CONTR. NO.	-
NAVFAC DRAWING NO.	15030912
SHEET	24 OF 26

ISSUED BY:
Waldemar S. Nelson & Co.
FINAL DESIGN
29 / OCT / 2009

Nelson WALDEMAR S. NELSON AND COMPANY
INCORPORATED
ENGINEERS AND ARCHITECTS
1200 ST. CHARLES AVE. NEW ORLEANS, LA.

A-14.1