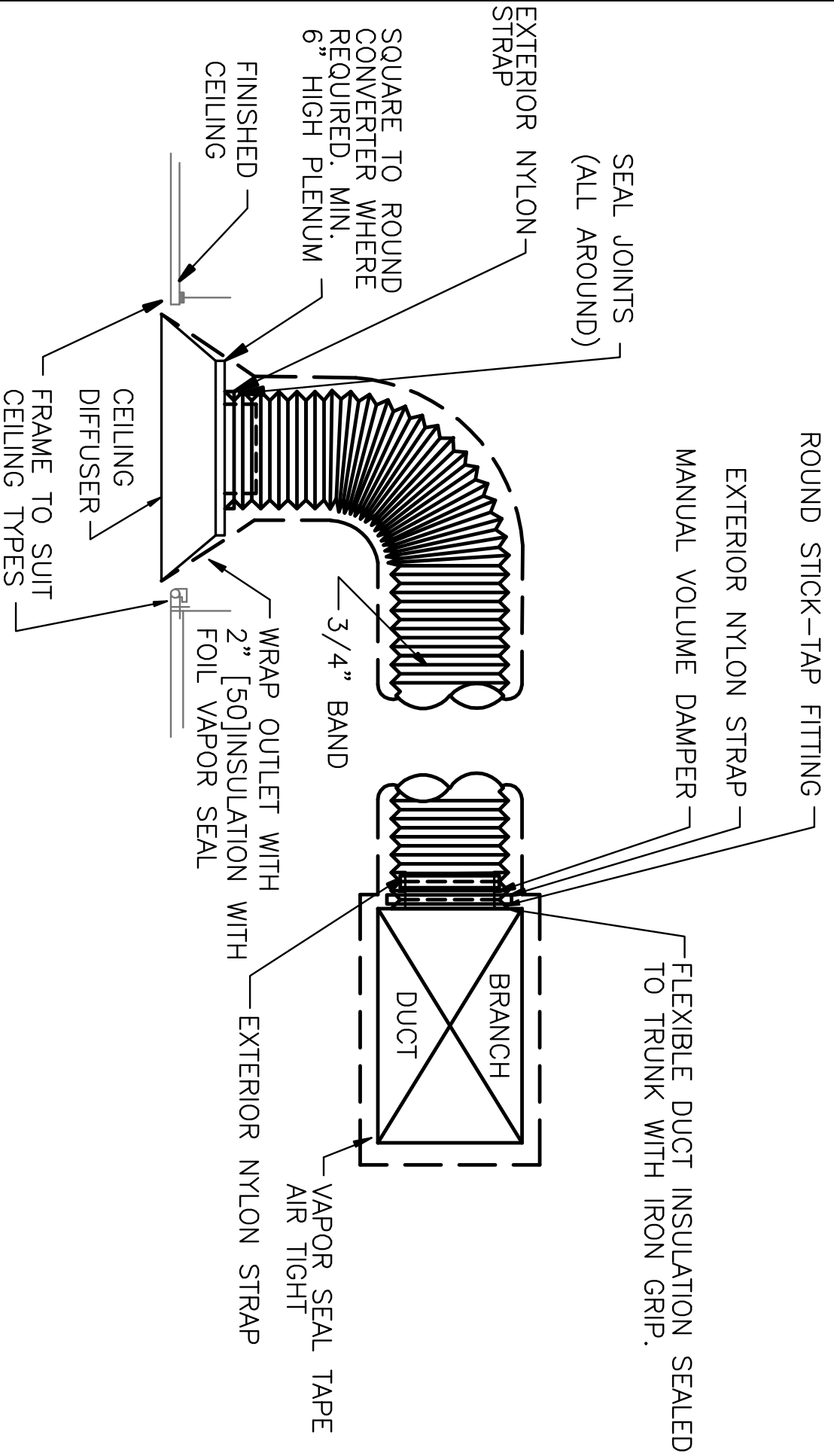


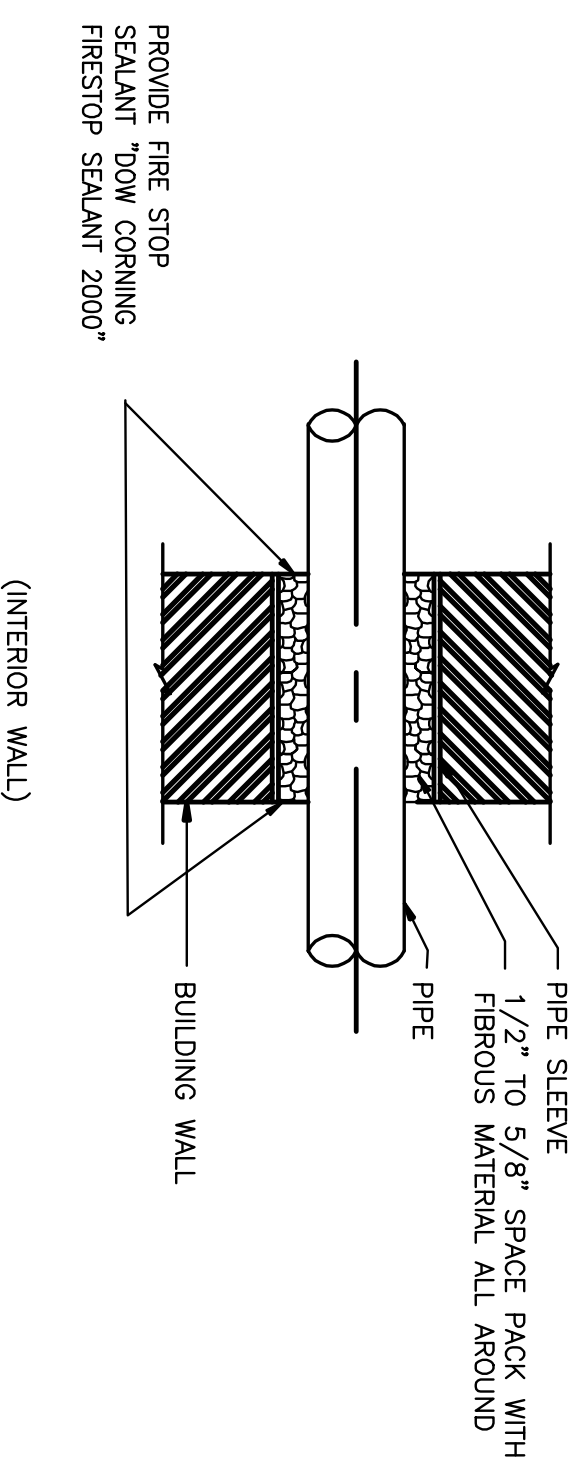
CEILING DIFFUSER DETAIL

SCALE: N.T.S.



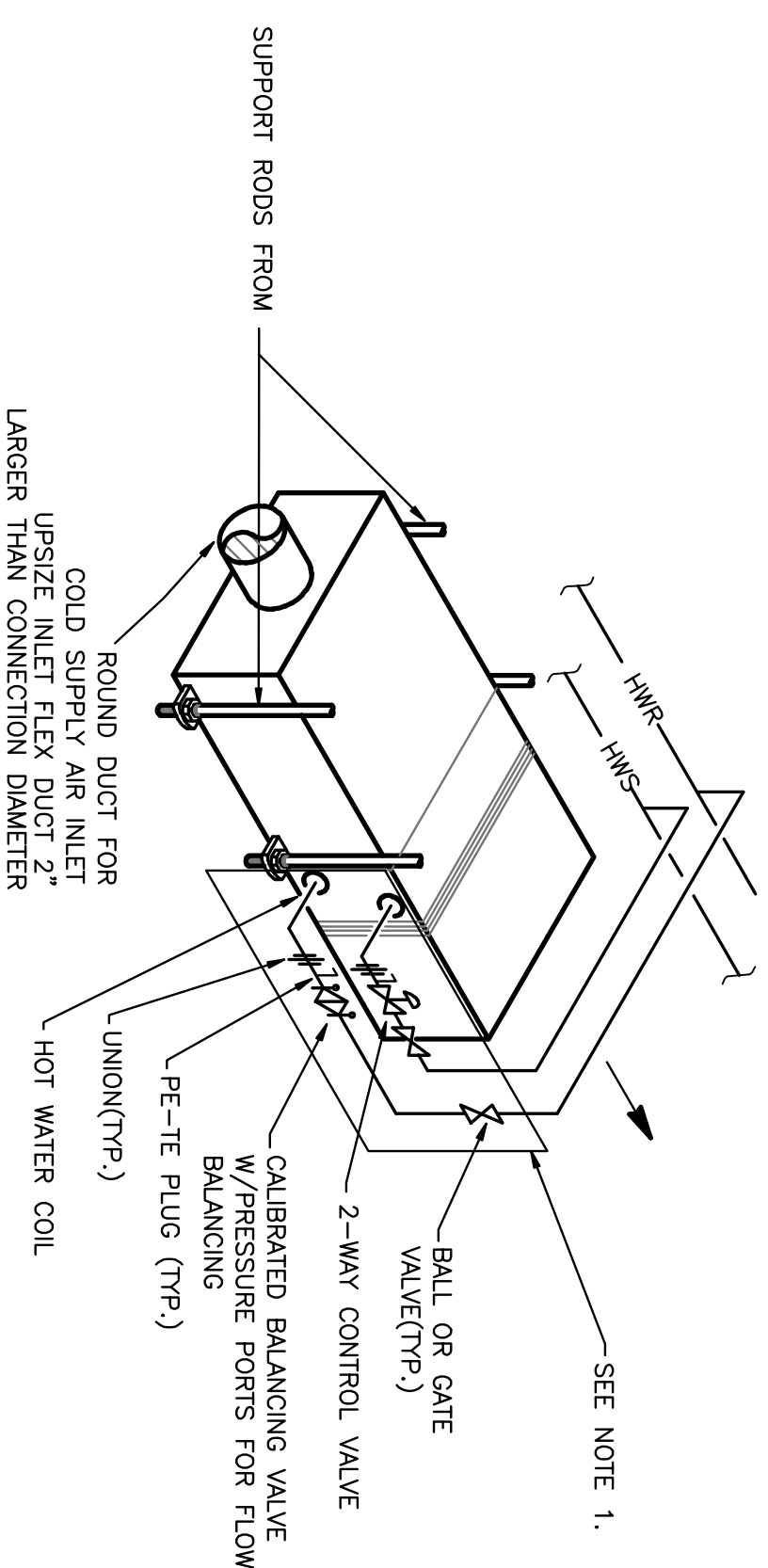
DIFFUSER, REGISTER DUCT CONNECTION DETAIL

SCALE: N.T.S.



TYPICAL WALL PENETRATION DETAIL

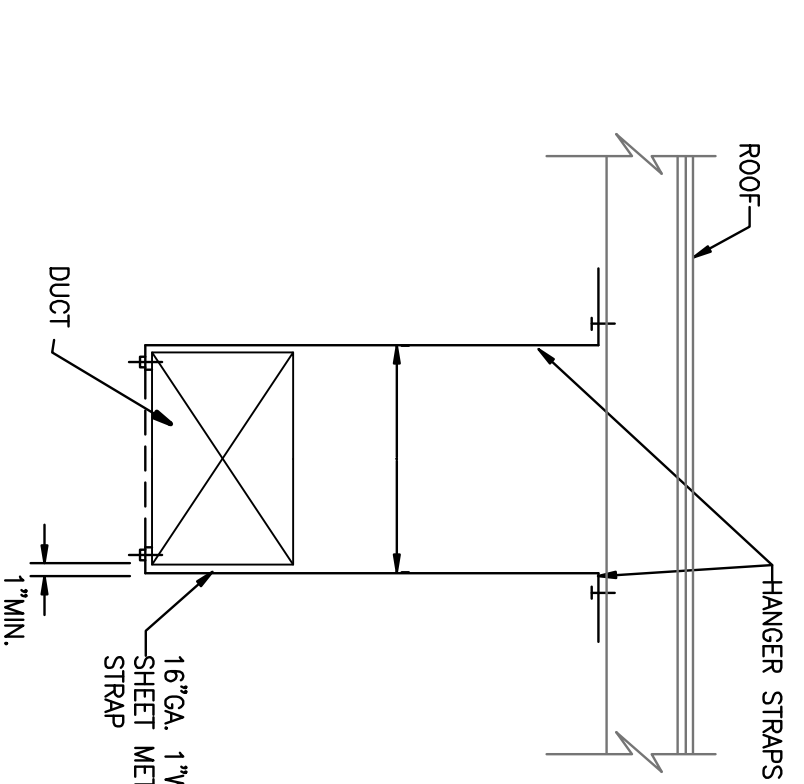
SCALE: N.T.S.



TYPICAL VAV TERMINAL UNIT

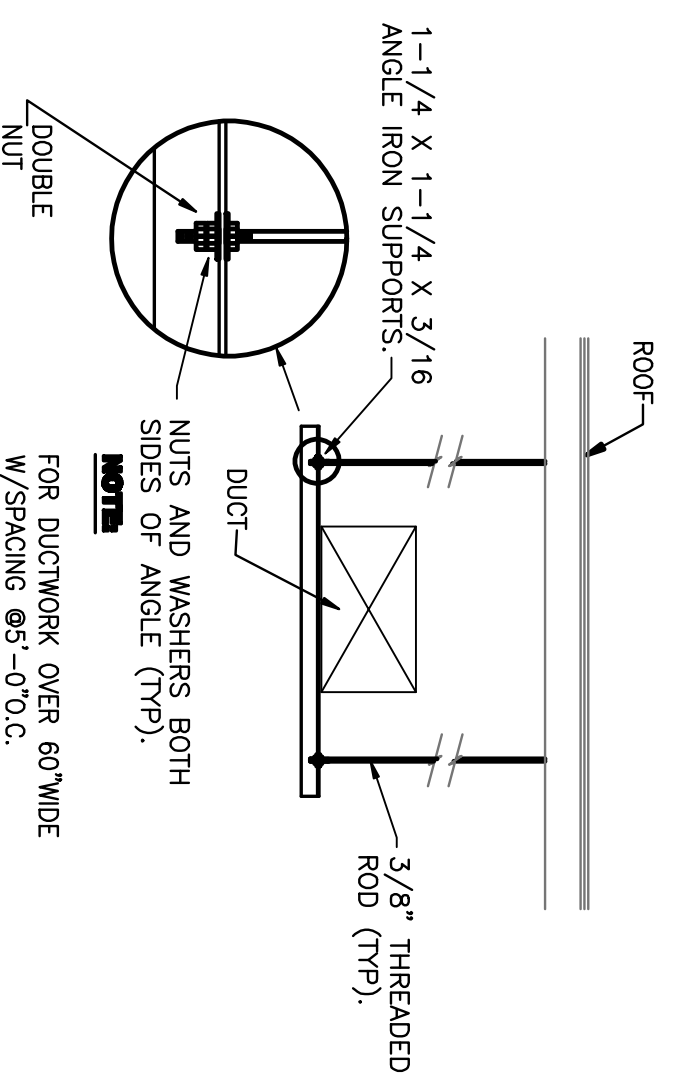
SCALE: N.T.S.

- NOTES:
 1. THE RE-HEAT COIL FOR THE FORCE TORQUE LAB.
 2. THE RE-HEAT COIL DIMENSIONS AS SHOWN IN THE ELECTRONICS LAB & VAN-18 HAVE 3 WAY VALVES.



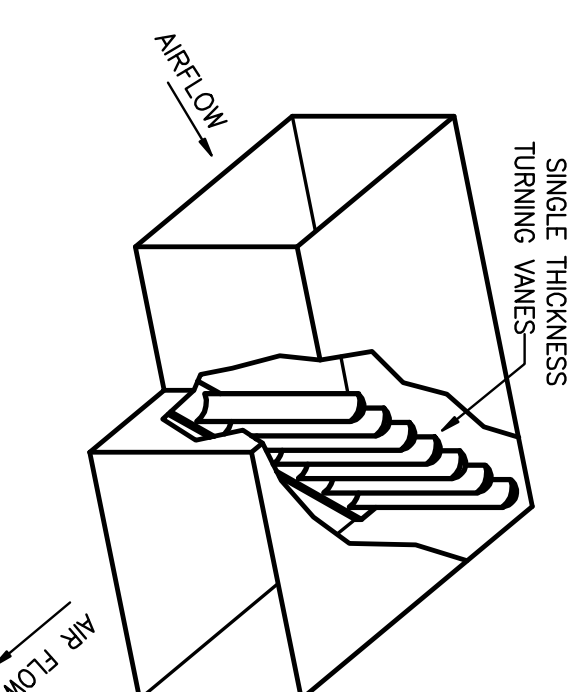
DUCTWORK SUPPORT DETAIL

SCALE: N.T.S.



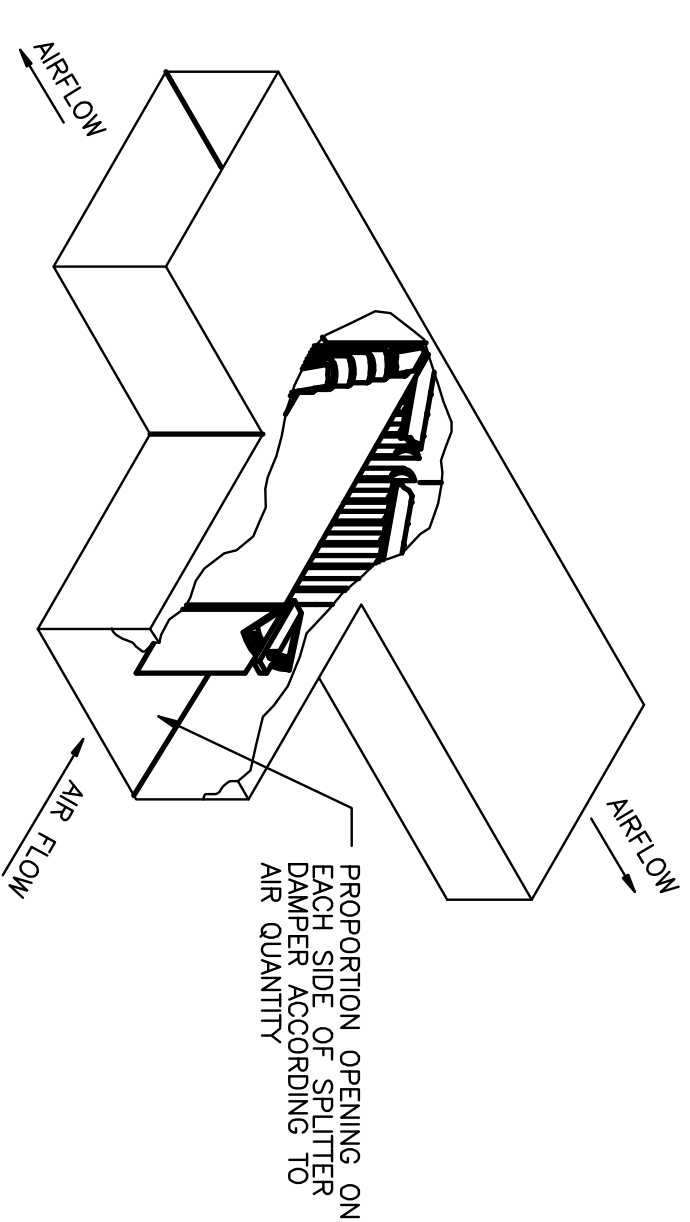
DUCTWORK SUPPORT DETAIL

SCALE: N.T.S.



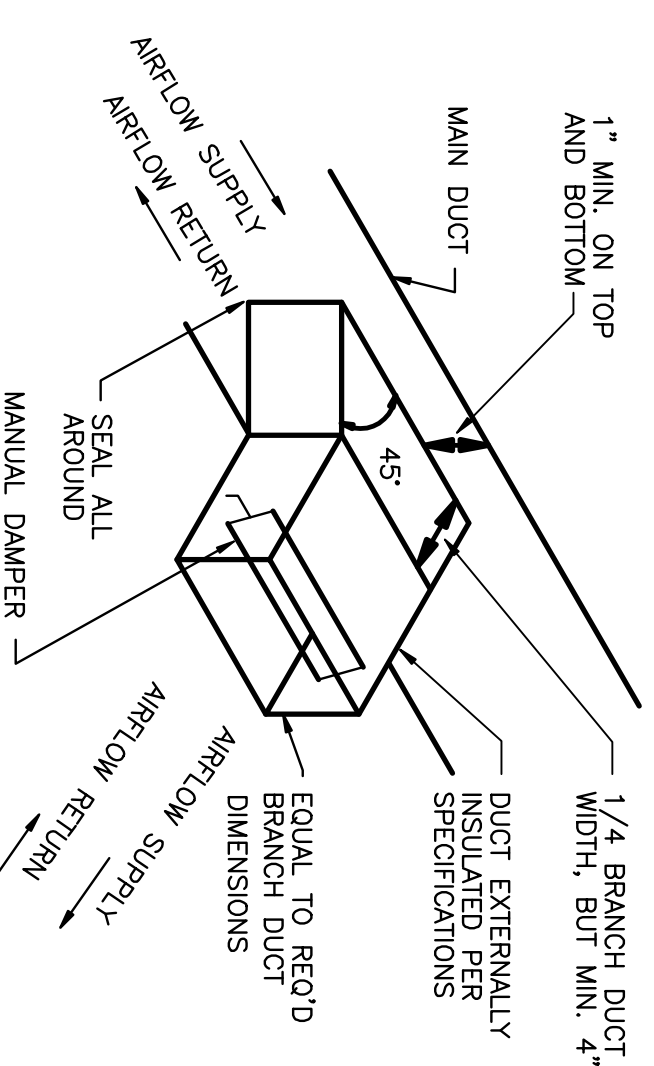
TYPICAL ELBOW DETAIL

SCALE: N.T.S.



TYPICAL SPLITTER DAMPER DETAIL

SCALE: N.T.S.



TYPICAL BRANCH TAKE-OFF FITTING TO DIFFUSERS AND GRILLES

SCALE: N.T.S.

HUSEMAN & Associates
 ARCHITECTS • ENGINEERS • PLANNING • INTERIORS
 3929 N-110 SERVICES
 SUITE 2015, METairie, LA 70002 FAX (504) 486-3122
 504 486-3119
 504 486-3122
 Designed By: JK
 Checked By: GB
 Drawn By: PR

WALDEN S. NELSON AND COMPANY
 ENGINEERS AND ARCHITECTS
 1200 ST. CHARLES AVE. NEW ORLEANS, LA

RECORD DRAWING DATE
 DATE: 10/24/09
GOVERNANCE
 DRAWING SIZE: D
 SPEC. NO. 08--
 CONSTR. CONTR. NO.
NAVFAC DRAWING NO.
 130004
 SHEET 14 OF 15
M-08

STATE OF LOUISIANA
 PROFESSIONAL ENGINEER
 JAMES M. BOULE
 REG. NO. 19480
 EXPIRES 12/31/10

NAVFAC
 Naval Facilities Engineering Command
 Southeast Division, Jacksonville, FL

NAS JRB New Orleans Belle Chasse, Louisiana
NAVAIRSEFAC CALIBRATION BLDG.
 HVAC DETAILS - SHEET 1 OF 2
 APPROVED DATE: AUGUST 22, 2008 EPD FOR COMMANDER, NAVFAC

DRAWING REVISIONS				
REV.	DESCRIPTION	PREP BY	DATE	APPROV.
0	FINAL DESIGN	RP	10/29/09	CB

BROADMOOR
 BUILDING by DESIGN
 BROADMOOR, L.L.C.
 2740 North Amout Road
 Metairie, Louisiana 70002
 www.broadmoorllc.com