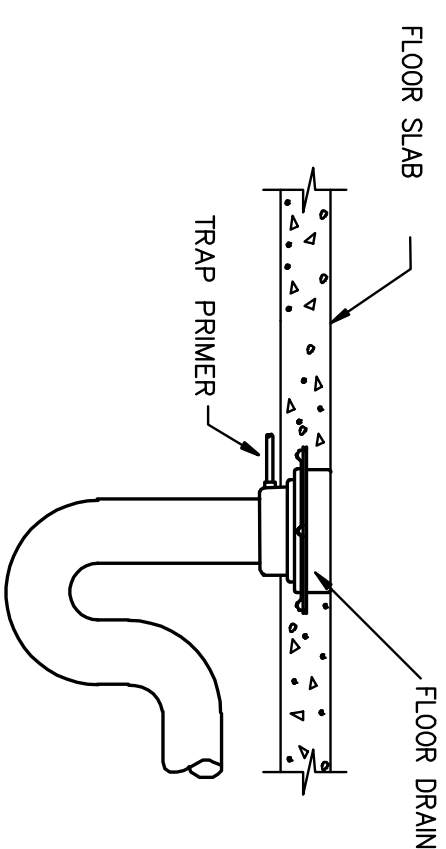


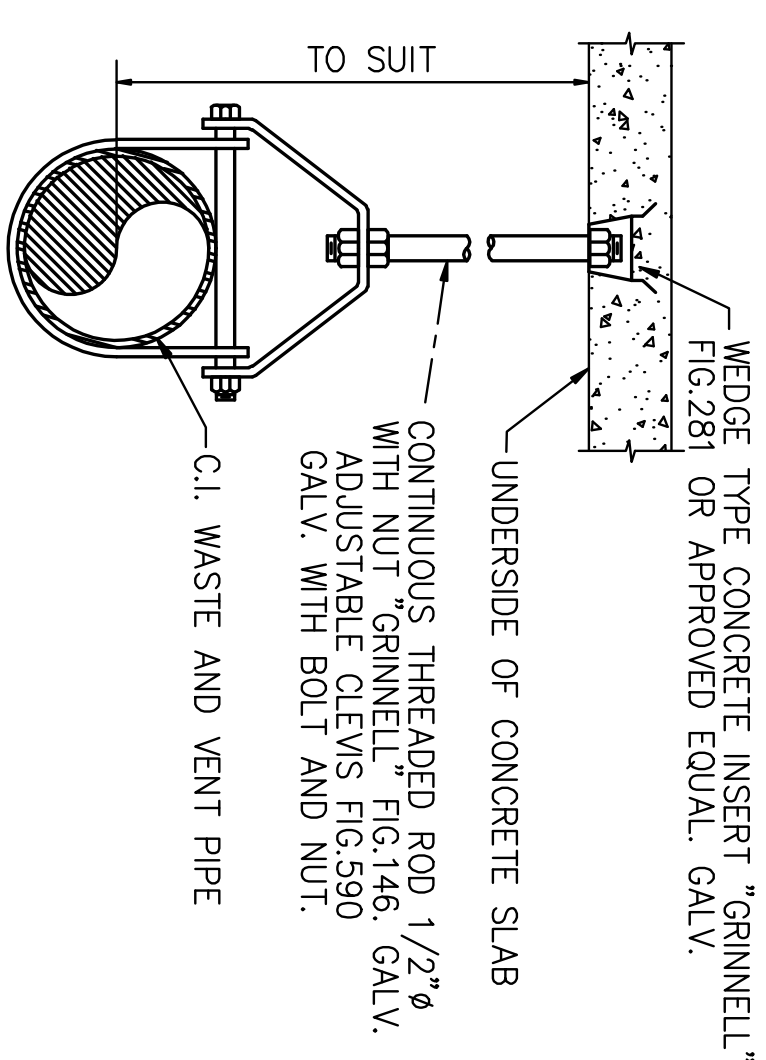
### 1. CLEANOUT COVER DETAIL

SCALE: N.T.S.



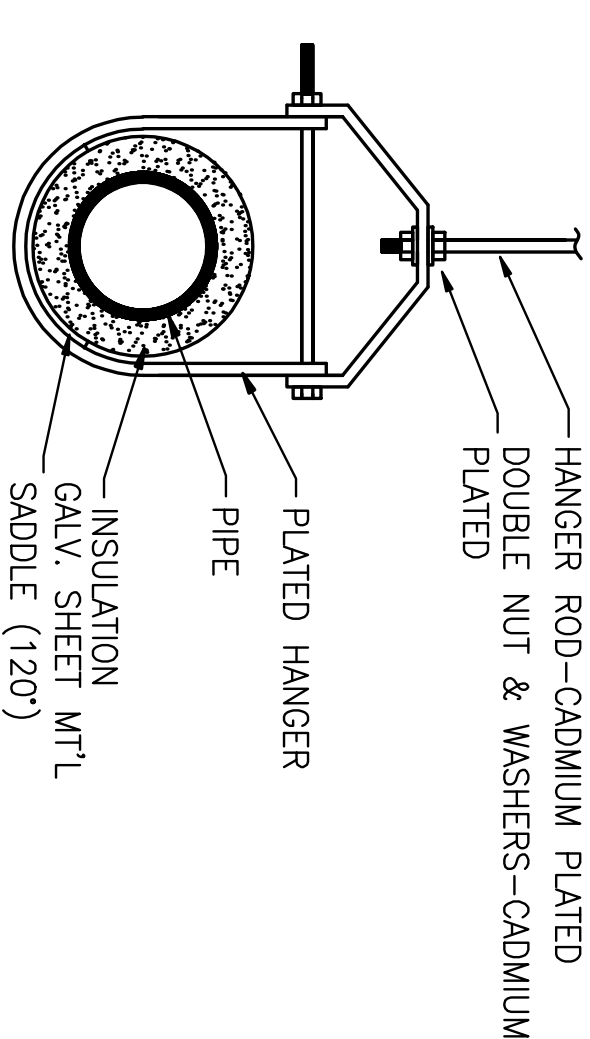
### 2. TYPICAL FLOOR DRAIN

N.T.S.



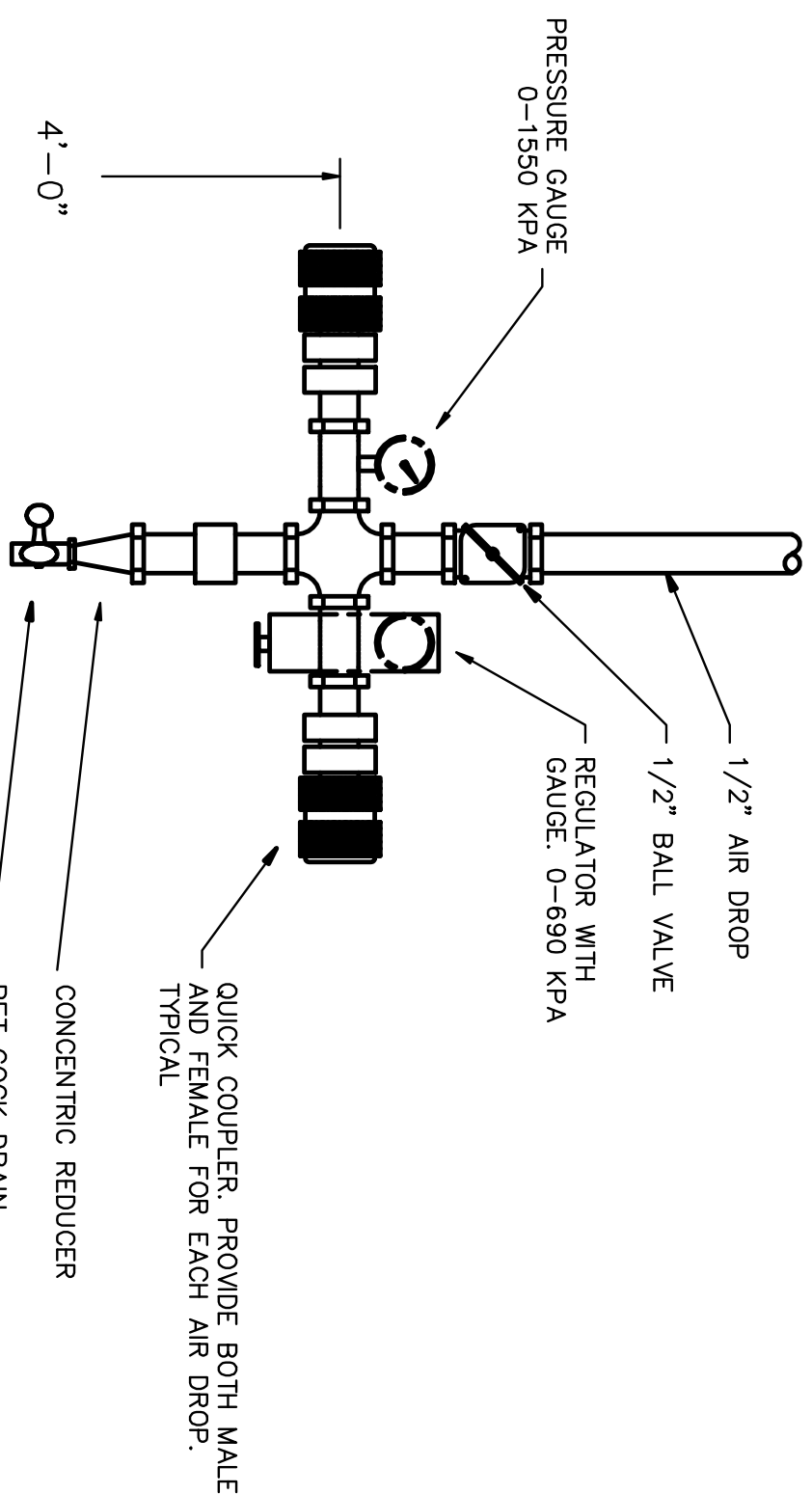
### 3. CLEVIS HANGER DETAIL ABOVE GRADE WASTE & VENT PIPING

N.T.S.



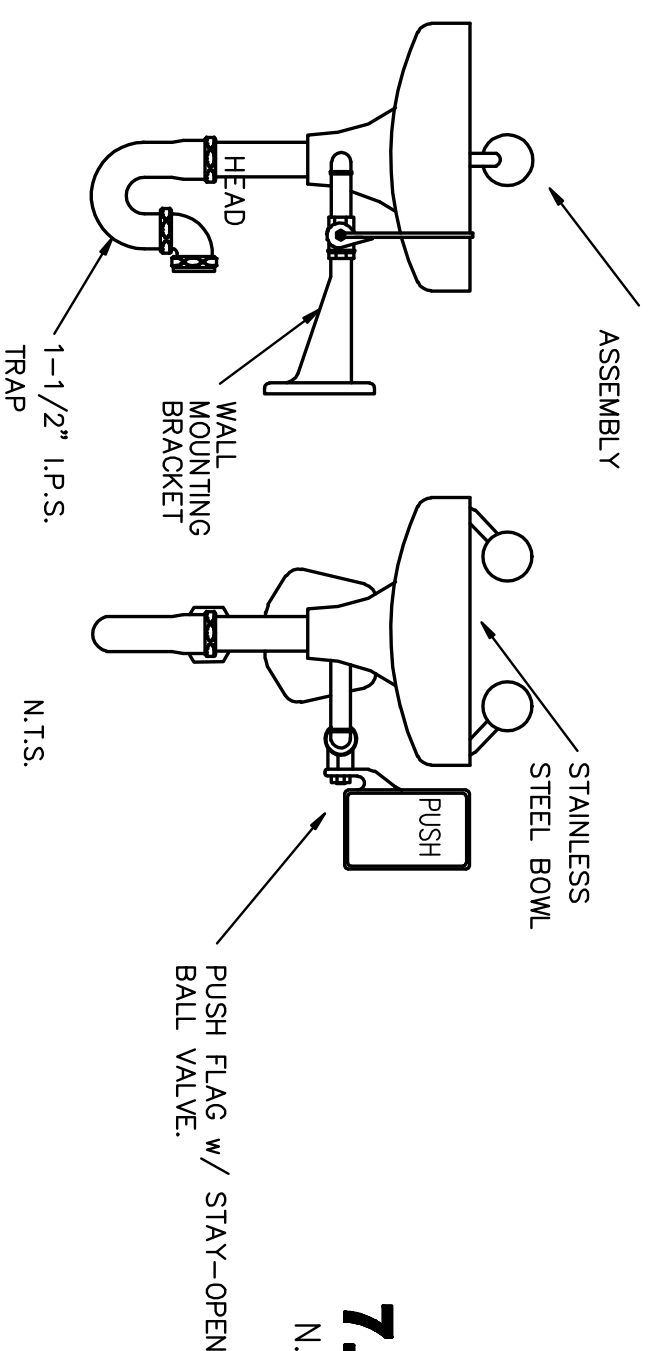
### 4. CLEVIS HANGER DETAIL

N.T.S.



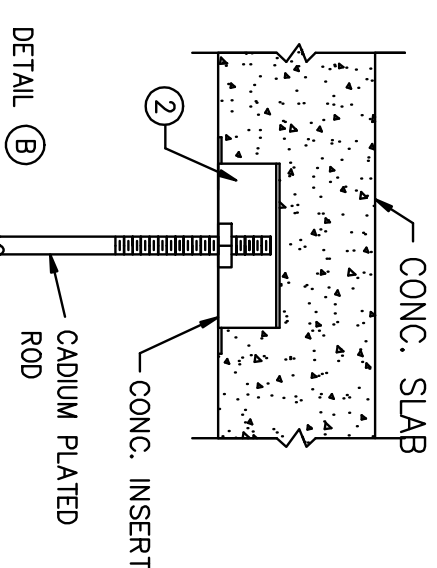
### 5. TYPICAL AIR DROP OUTLET DETAIL

N.T.S.



### 6. EMERGENCY EYEWASH DETAIL

N.T.S.



### 7. TYPICAL SINGLE HANGER

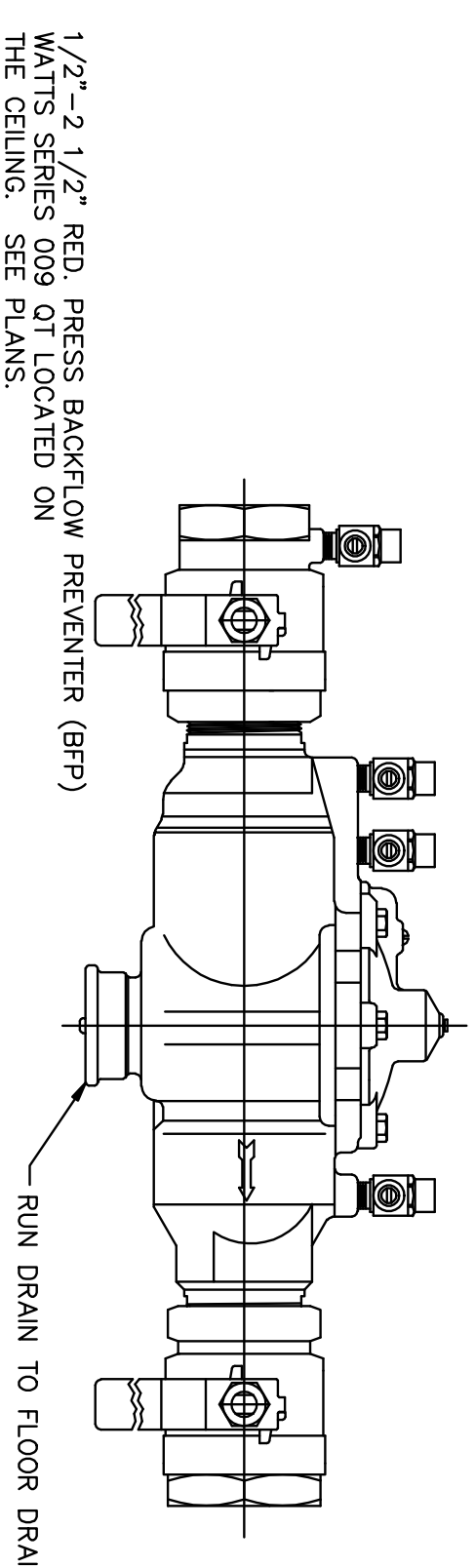
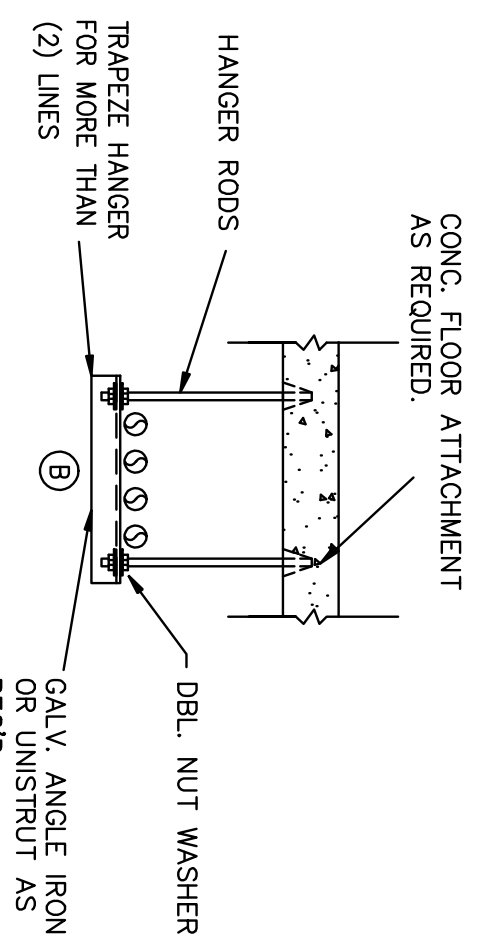
N.T.S.

- TYPES:
- (A) STEEL CONSTRUCTION
  - (B) STRUCT. CONC. CONST.
  - (C) STEEL W/METAL DECK

- (1) BAR JOIST
- (2) BAR JOIST
- (3) METAL DECK & CONC.

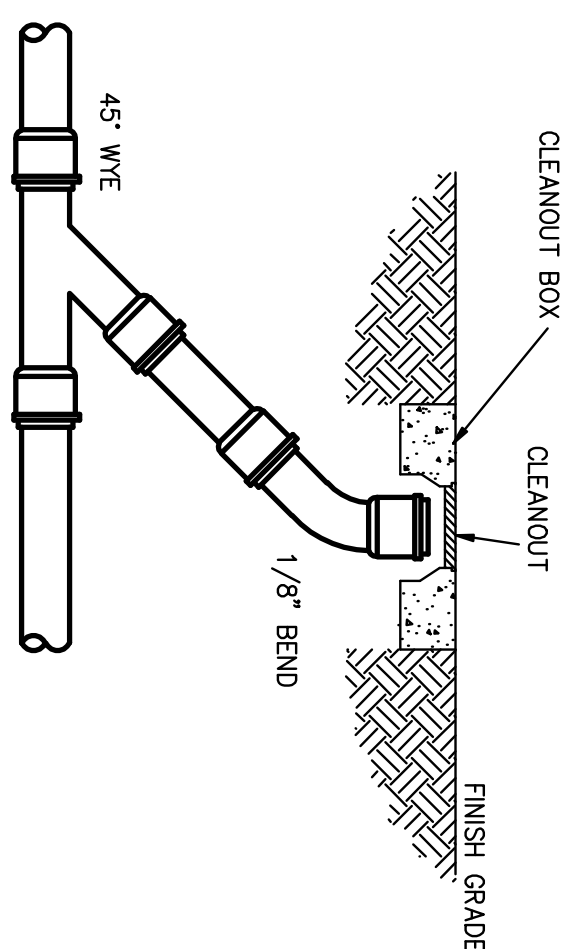
### 8. TYPICAL TRAPEZE HANGER

N.T.S.



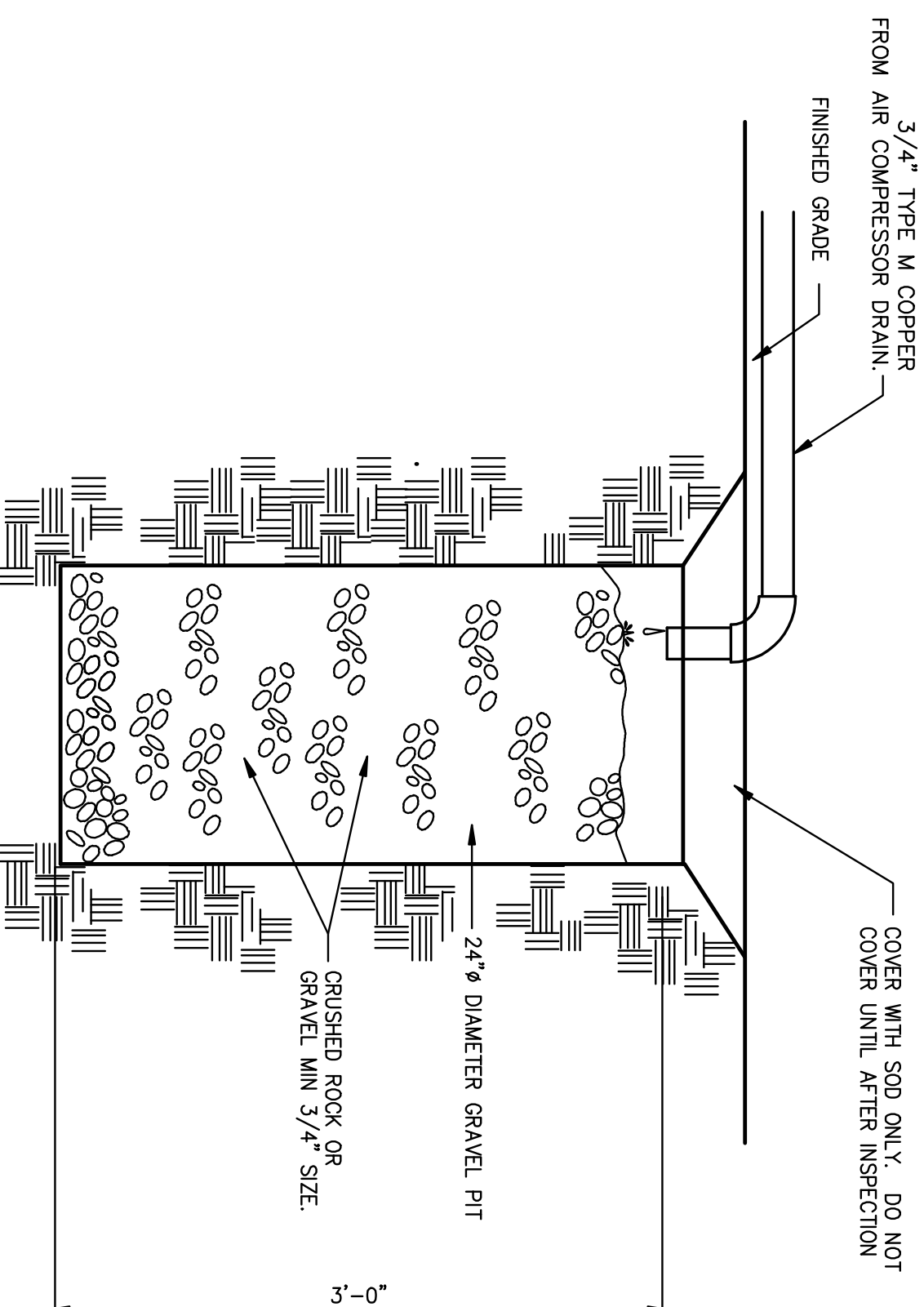
### 11. REDUCED PRESSURE BACKFLOW PREVENTER

N.T.S.



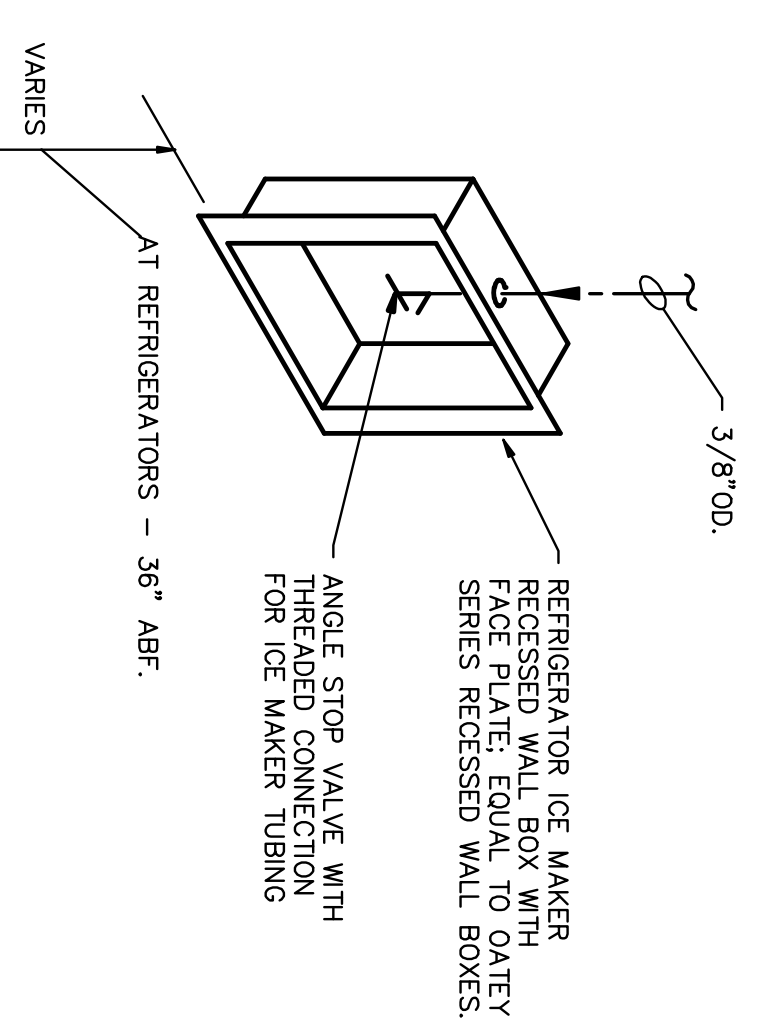
### 9. EXTERIOR CLEAN OUT DETAIL

SCALE: N.T.S.



### 10. FRENCH DRAIN DETAIL

SCALE: N.T.S.



### 12. RECESSED ICE MAKER BOX DETAIL

N.T.S.



NAS JRB New Orleans Belle Chase, Louisiana  
**NAVAIRSEFAC CALIBRATION BLDG.**  
 PLUMBING DETAILS - SHEET 1 OF 2  
 APPROVED DATE: AUGUST 22, 2008 EPD FOR COMMANDER, NAVFAC

DRAWING REVISIONS				
REV.	DESCRIPTION	PREP BY	DATE	APPRD.
0	FINAL DESIGN	RM	10/29/09	CB

**BROADMOOR**  
 BUILDING by DESIGN  
 BROADMOOR, L.L.C.  
 2740 North Amick Road  
 Metairie, Louisiana 70002  
 www.broadmoorllc.com

**HUSEMAN & Associates**  
 MECHANICAL • ELECTRICAL • PLUMBING • FIRE PROTECTION  
 3925 N.H. SERVICE RD. (504) 456-3119  
 SUITE 2019, METairie, LA 70002 FAX (504) 456-3122  
 Job No. 0902011 Designed By RM  
 Drawn By RM Checked By CB

**Walshaw S. Nelson and Company**  
 ENGINEERS AND ARCHITECTS  
 1200 ST. CHARLES AVE. NEW ORLEANS, LA

RECORD DRAWING DATE  
 CODE ID NO. 0008  
 DRAWING SIZE: D  
 SPEC. NO. 08-  
 CONSTR. CONTR. NO.  
 NAVFAC DRAWING NO. 15020929  
 SHEET 10 OF 11  
 P-06.1