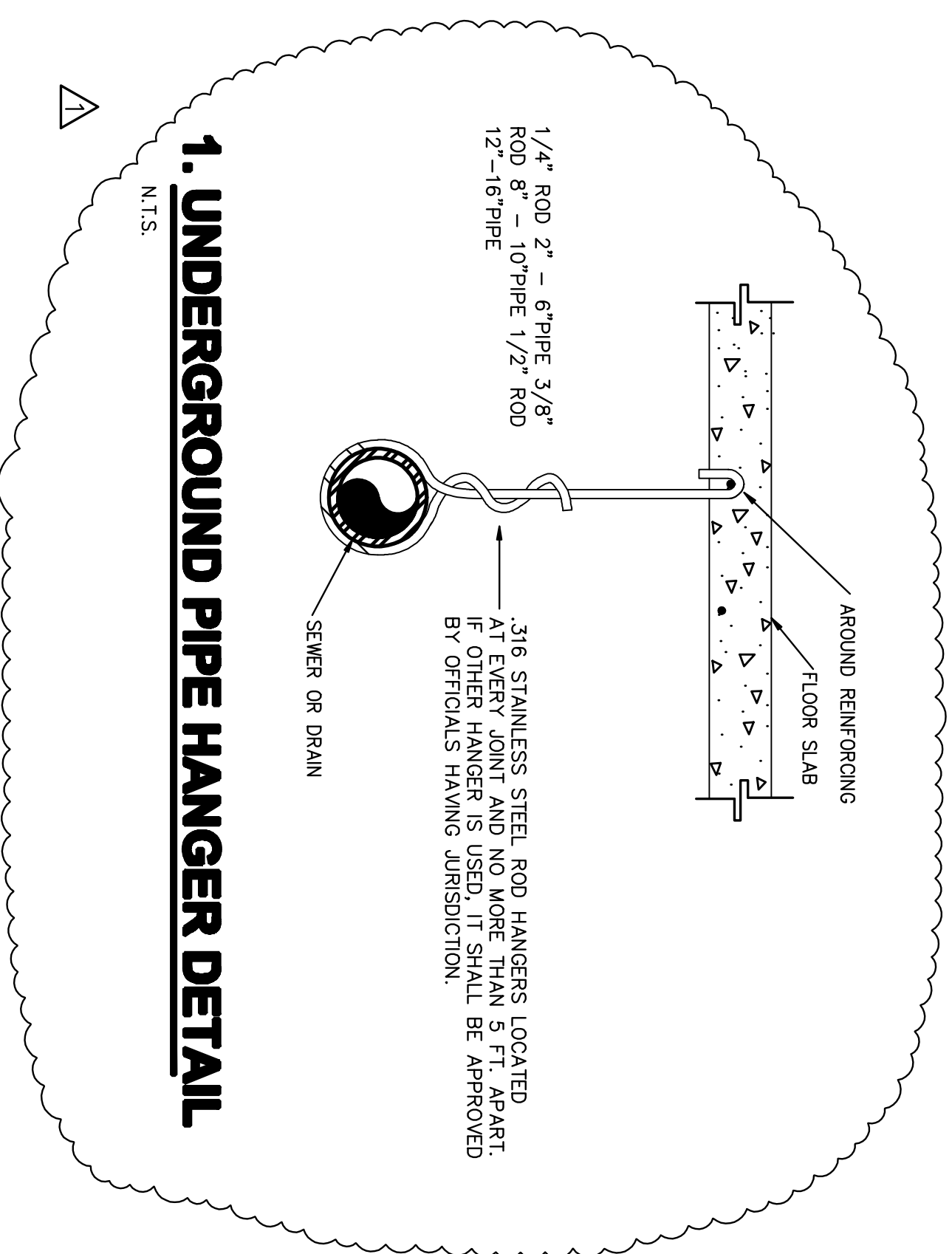
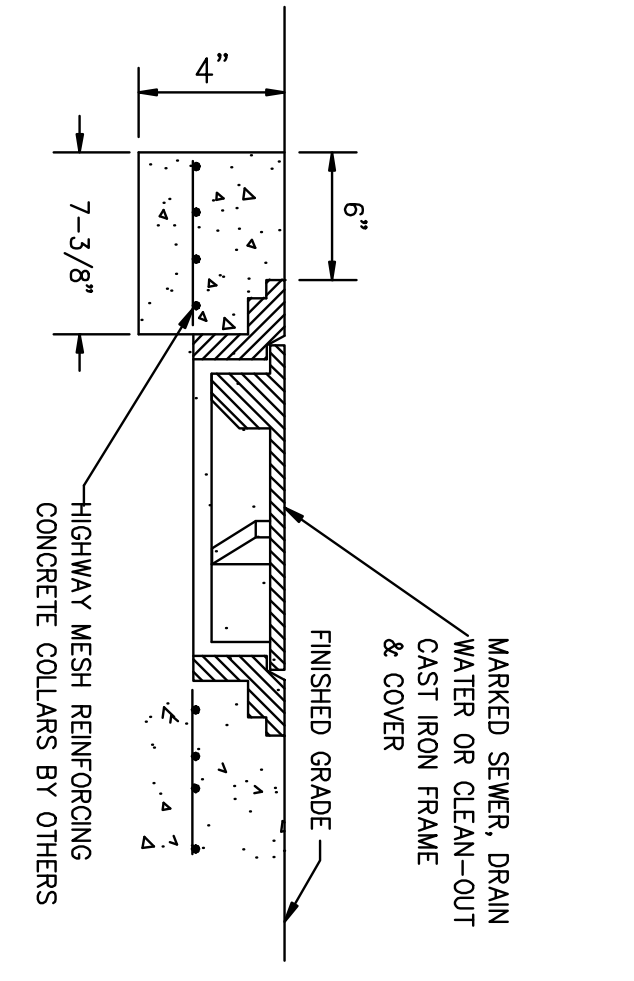


PLUMBING NOTES

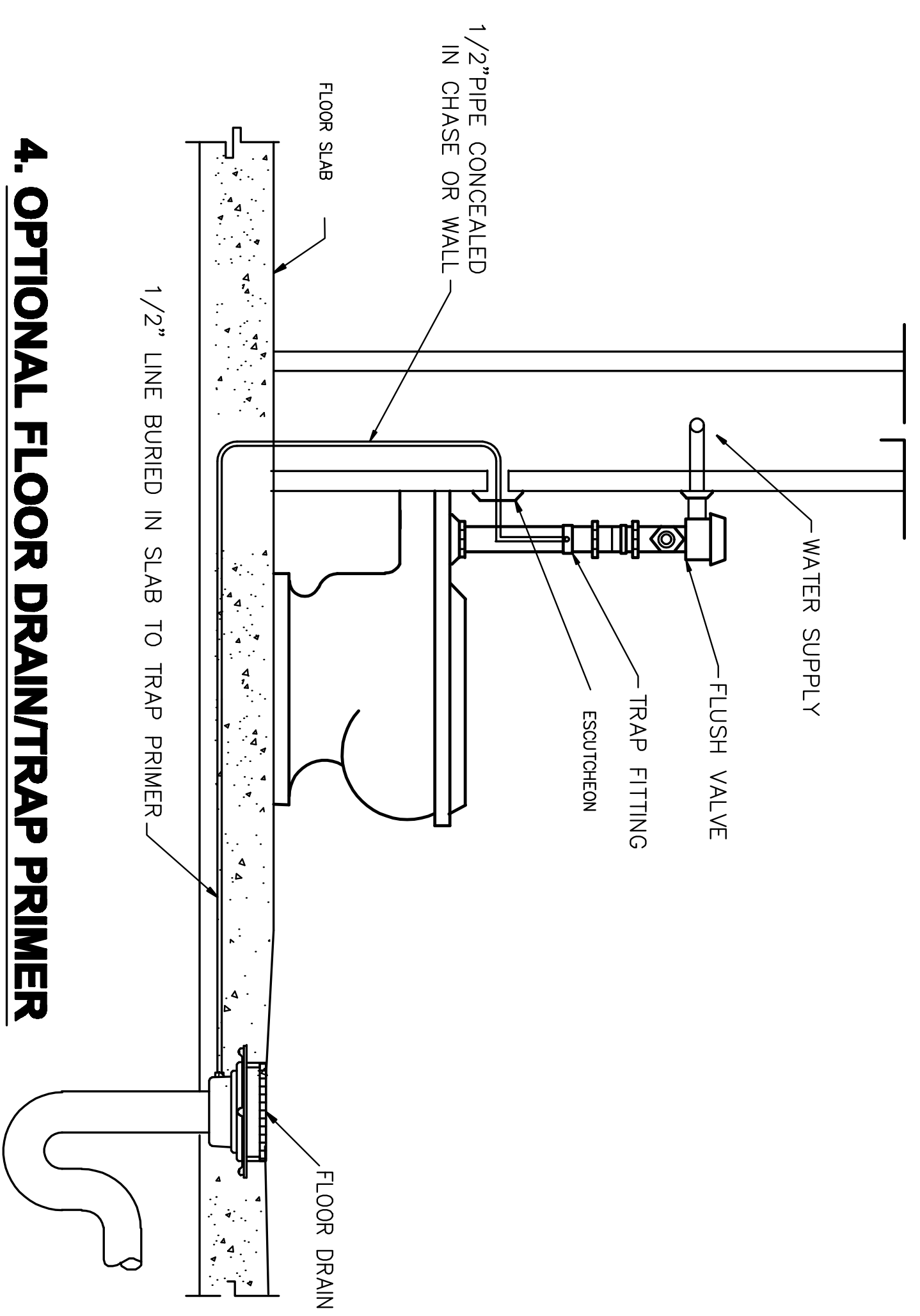
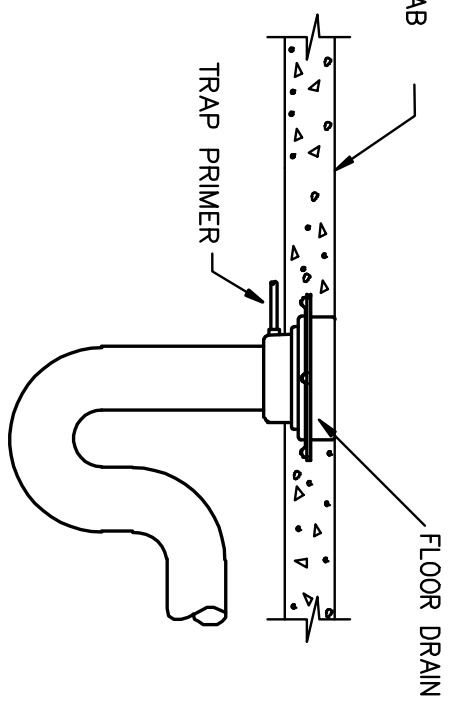
- COORDINATE ALL PIPING ROUTING WITH ALL OTHER TRADES PRIOR TO INSTALLATION. ROUTE ALL PIPING TO AVOID BUILDING STRUCTURE. IF PLUMBING INSTALLATION IS REQUIRED THROUGH STRUCTURE, NOTIFY ARCHITECT AND STRUCTURAL ENGINEER PRIOR TO INSTALLATION TO INSURE THAT STRUCTURAL INTEGRITY IS MAINTAINED.
- THE CONTRACTOR IS EXPECTED TO ORDER ALL MATERIALS IN SUFFICIENT TIME TO AVOID DELAYING THE COMPLETION OF THE PROJECT. DELAY IN DELIVERIES WILL NOT BE CONSIDERED A JUSTIFIABLE REASON FOR SUBMISSION OF SUBSTITUTE MATERIALS.
- PIPE ROUTING SHOWN IS SCHEMATIC AND IS INTENDED TO INDICATE GENERAL ROUTING. PLUMBING CONTRACTOR SHALL PROVIDE ANY ADDITIONAL CLEARANCES AND FITTINGS REQUIRED FOR PROPER INSTALLATION AND TO MAINTAIN CLEARANCES AS ENCOUNTERED IN FIELD. THIS SHALL RESULT IN NO ADDITIONAL COST TO THE OWNER.
- ALL PLUMBING INSTALLATION AND MATERIALS SHALL BE IN STRICT ACCORDANCE WITH ALL LOCAL, STATE, AND FEDERAL CODES AND APPLICABLE STANDARDS, REGULATIONS, AND AUTHORITIES HAVING JURISDICTION OVER THIS PROJECT.
- SITE CONNECTIONS SHALL BE PROVIDED ON CIVIL SITE UTILITIES DRAWINGS. SITE CONTRACTOR SHALL MAKE ALL FINAL PLUMBING SERVICE CONNECTIONS TO SPECIFICATION.
- DRAINAGE PIPING SHALL SLOPE NO LESS THAN 1/8" FALL PER FOOT. SEE SPECIFICATION.
- SUBMIT SHOP DRAWINGS (INCLUDING PIPE ROUTING AND EQUIPMENT LOCATION) TO ARCHITECT/ENGINEER FOR REVIEW PRIOR TO THE INSTALLATION OR PURCHASING OF ANY PIPING AND/OR EQUIPMENT. REFER TO SPECIFICATIONS ON THIS REQUIREMENT.
- UNDERGROUND PIPING SHALL BE CAST IRON SERVICE WEIGHT BELL AND SPIGOT.



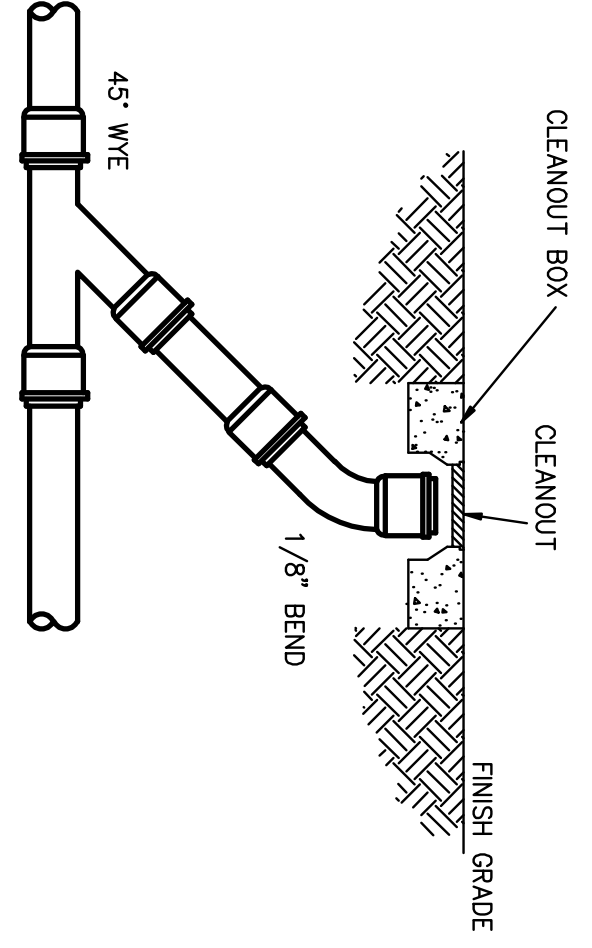
2. CLEANOUT COVER DETAIL
N.T.S.



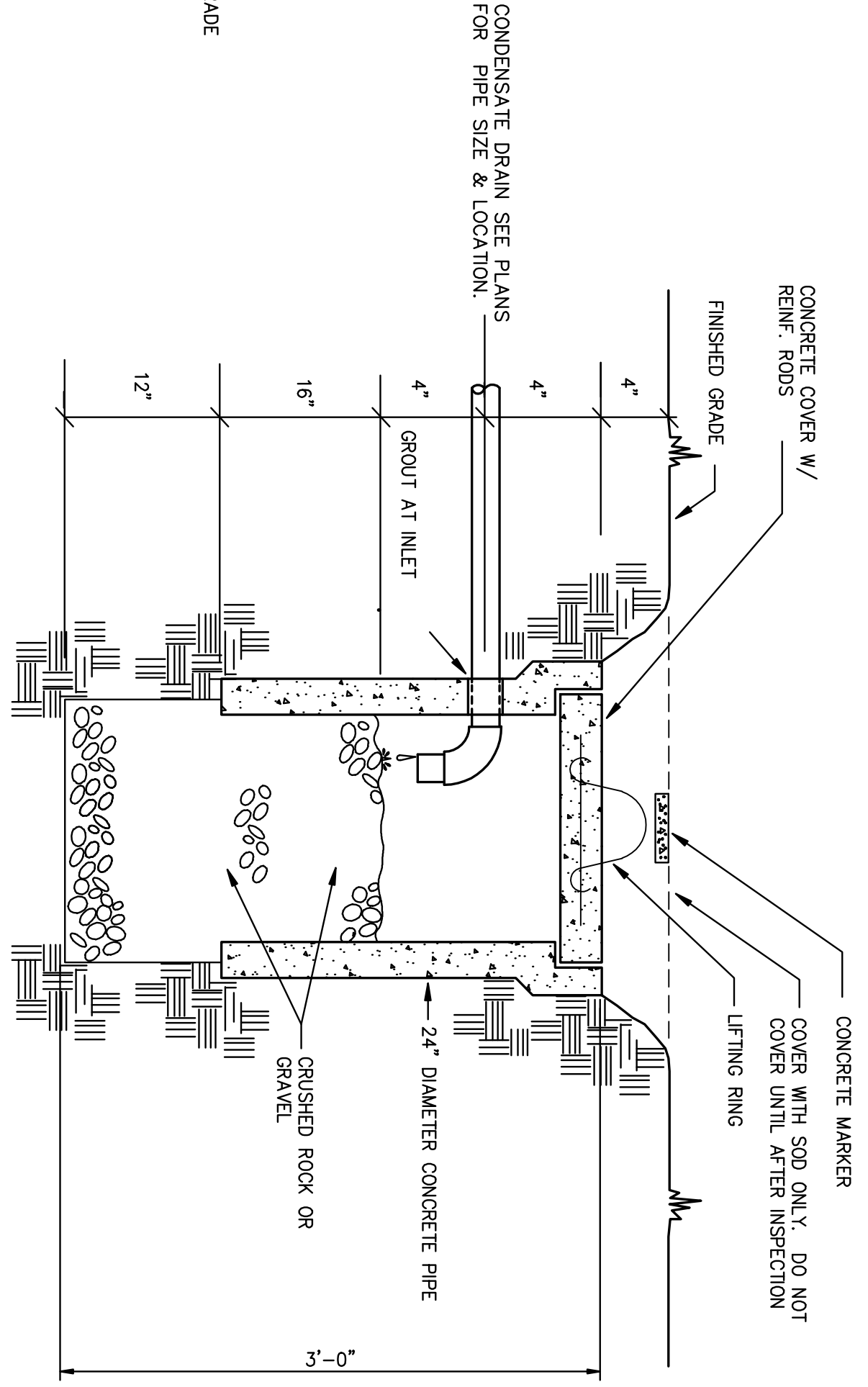
3. TYPICAL FLOOR DRAIN
N.T.S.



5. EXTERIOR CLEAN OUT DETAIL
SCALE: N.T.S.



6. FRENCH DRAIN DETAIL
SCALE: N.T.S.



BROADMOOR
BUILDING by DESIGN
BROADMOOR, L.L.C.
2740 North Amout Road
Metairie, Louisiana 70002
www.broadmoorllc.com

DRAWING REVISIONS				
REV.	DESCRIPTION	PREP BY	DATE	APPROV.
0	FINAL DESIGN	RM	08/25/09	CB
1	REV. PIPE HANGER DETAIL	RM	10/29/09	CB

NAS JRB New Orleans Belle Chasse, Louisiana
NAVAIRSEFAC CALIBRATION BLDG.
UNDERGROUND PLUMBING DETAILS
APPROVED DATE: AUGUST 22, 2008 EFD FOR COMMANDER, NAVFAC

NAVFAC
Naval Facilities Engineering Command
Southeast Division, Jacksonville, FL

STATE OF LOUISIANA
MECHANICAL ENGINEER
MICHAEL R. BOYLE, JR.
REG. NO. 18480
EXPIRES 12/31/2011
APPROVAL

HUSEMAN
& Associates
MECHANICAL • ELECTRICAL • PLUMBING • FIRE PROTECTION
3925 N-I-10 SERVICE RD (504) 455-3119
SUITE 201B, METairie, LA 70002 FAX (504) 456-3122
Drawn By: RM
Designed By: RM
Checked By: CB

WILDEMAR S. NELSON AND COMPANY
ENGINEERS AND ARCHITECTS
1200 ST. CHARLES AVE. NEW ORLEANS, LA

RECORD DRAWING DATE 10/29/2009
CODE ID. NO. -
DRAWING SIZE: D
SPEC. NO. 06--
CONSTR. CONTR. NO. -
NAVFAC DRAWING NO. 15030593
SHEET 9 OF 11
P-06