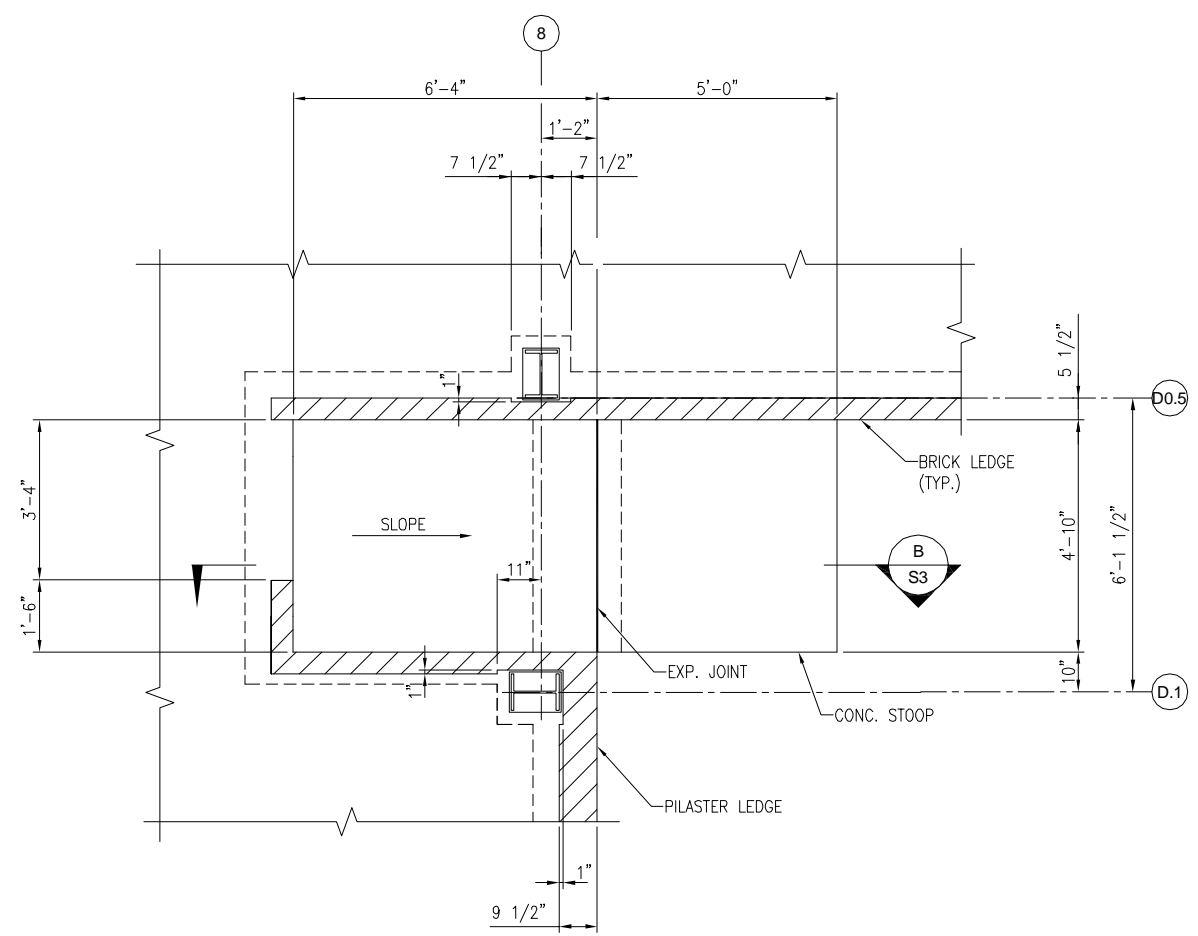
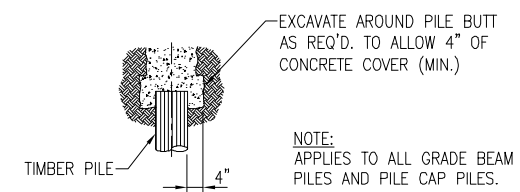


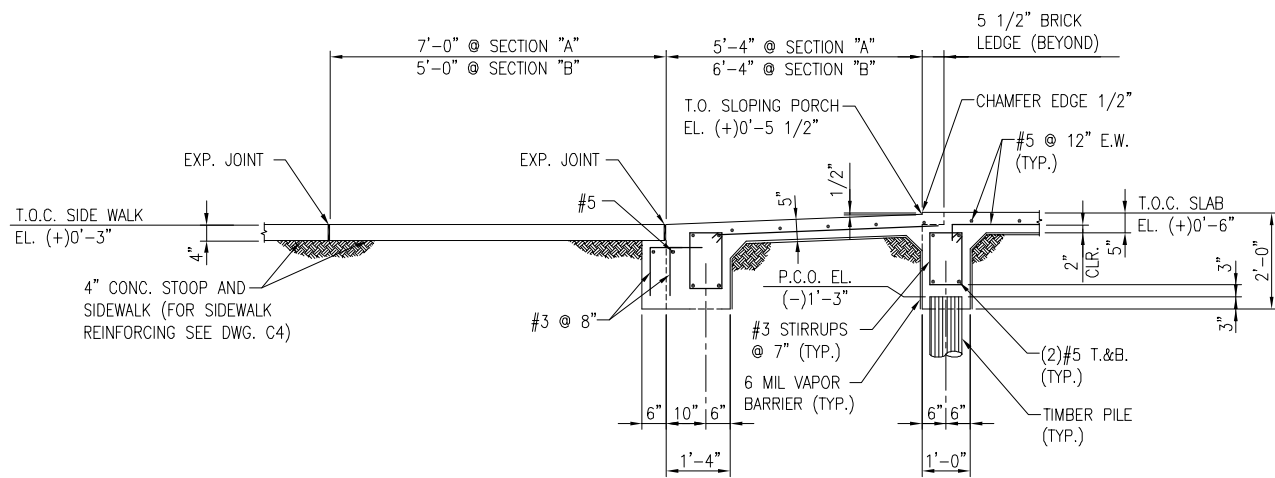
DETAIL 1
1/2" = 1'-0" S1



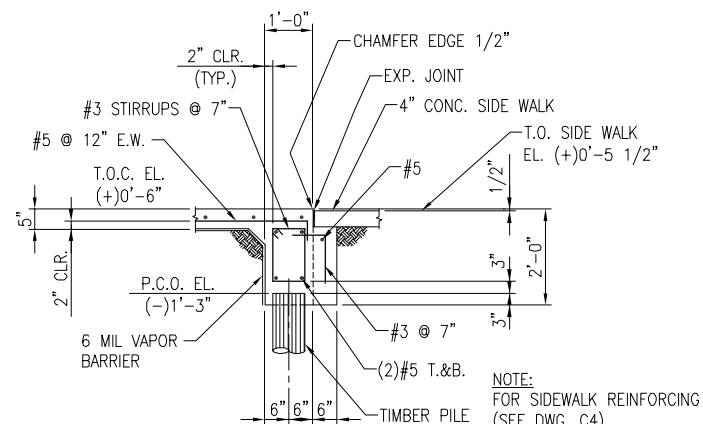
DETAIL 2
1/2" = 1'-0" S1



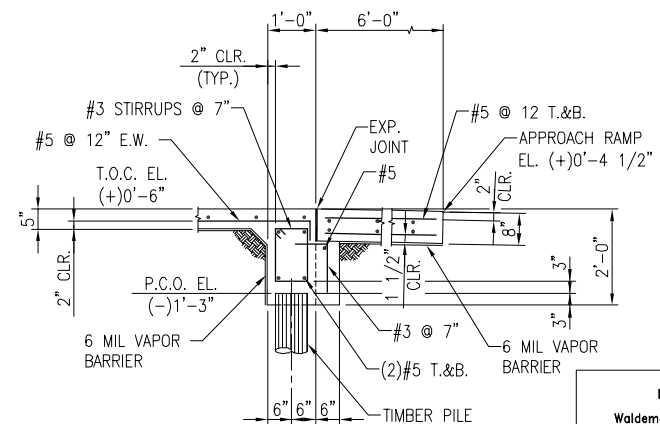
TYP. PILE BUTT DETAIL
1/2" = 1'-0"



SECTION A
1/2" = 1'-0" S3 (SHOWN)
SECTION B
1/2" = 1'-0" S3 (OPP. HAND)



SECTION C
1/2" = 1'-0" S1



SECTION D
1/2" = 1'-0" S1

ISSUED BY:
Waldemar S. Nelson & Co.
FINAL DESIGN
29 /OCT /2009

WALDEMAR S. NELSON AND COMPANY
ENGINEERS AND ARCHITECTS
1200 ST. CHARLES AVE. NEW ORLEANS, LA.

BROADMOOR
BUILDING by DESIGN
BROADMOOR, L.L.C.
2740 North Arnoult Road
Metairie, Louisiana 70002
www.broadmoorllc.com

REV.	DESCRIPTION	DATE	APPROVED
0	FINAL DESIGN - 10/29/09	10/29/09	RW

NAS JRB New Orleans Belle Chasse, Louisiana
NAVAIRSEFAC CALIBRATION BLDG.
SECTIONS AND DETAILS
SHEET 1 OF 4
DATE: -
ED FOR COMMANDER, NAVFAC

NAVFAC
Naval Facilities Engineering Command
Southern Division, Charleston, SC

STATE OF LOUISIANA
TOMAS J. NALLY
License No. 23489
PROFESSIONAL ENGINEER
IN
CIVIL ENGINEERING

RECORD DRAWING DATE	3/23/09
CODE ID. NO.	-
DRAWING SIZE:	D
SPEC. NO. 06--	-
CONSTR. CONTR. NO.	N62467-
NAVFAC DRAWING NO.	15030878
SHEET	5 OF 12