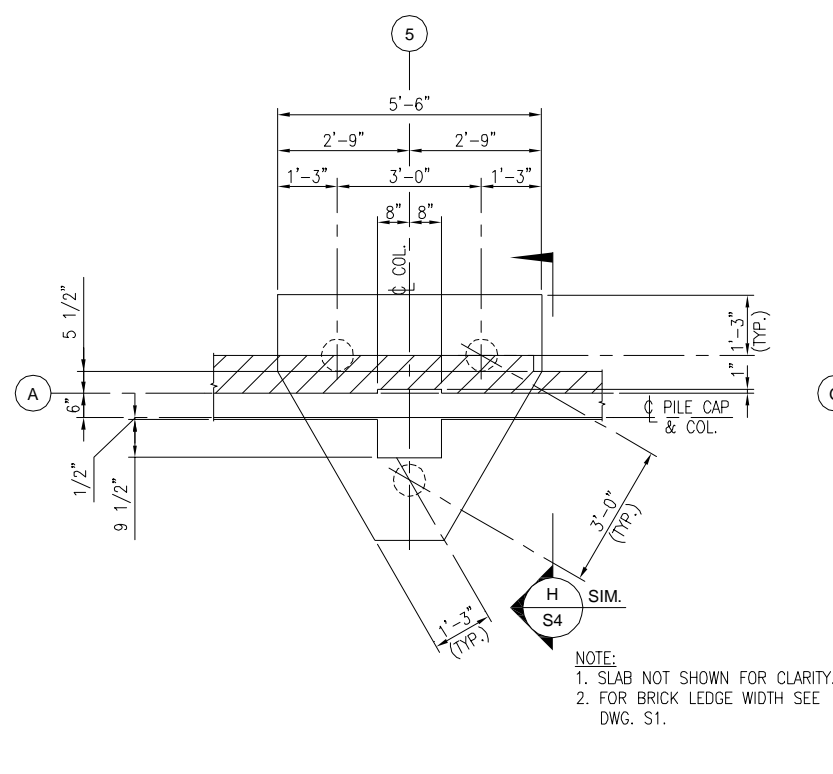
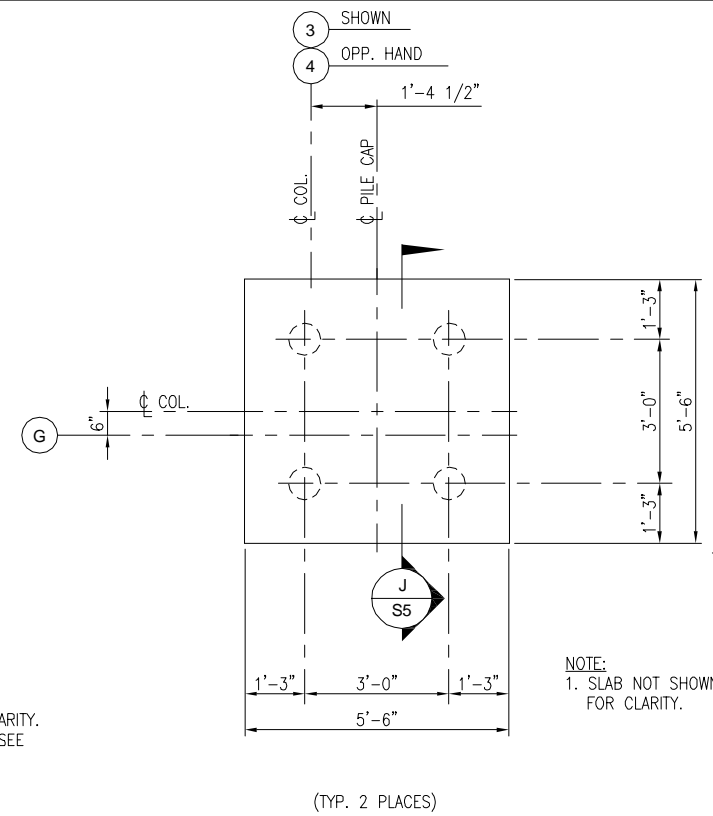


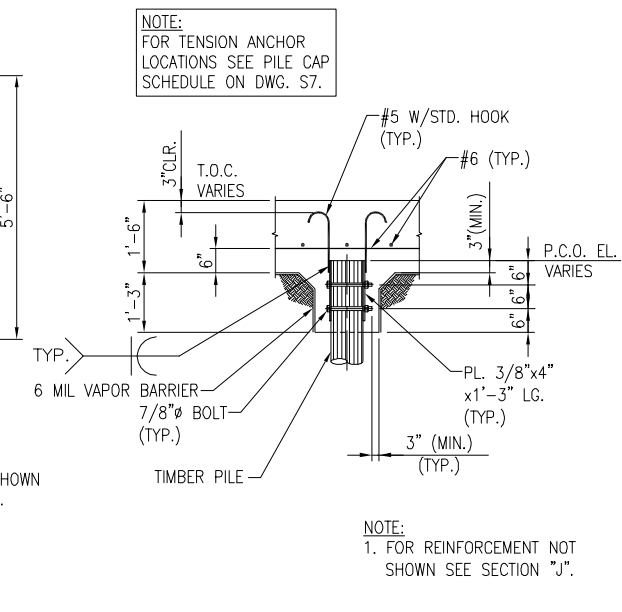
DETAIL 5
1/2" = 1'-0"



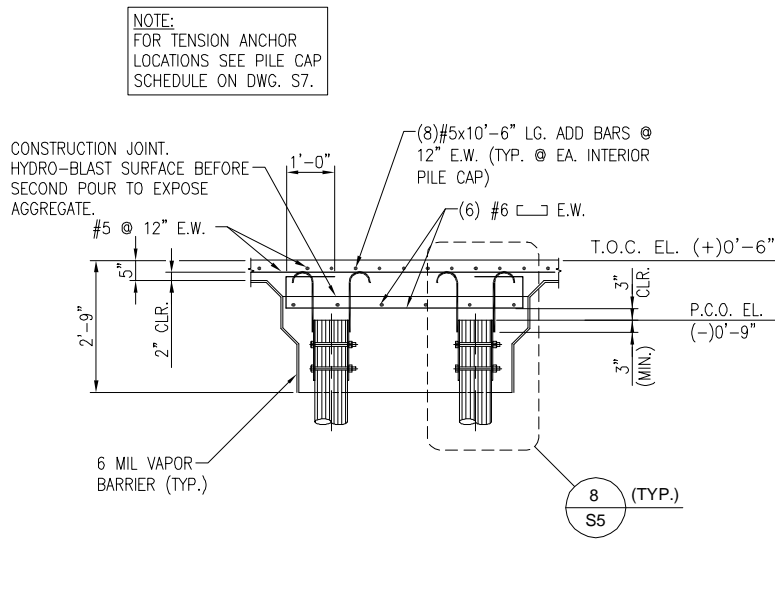
DETAIL 6
1/2" = 1'-0"



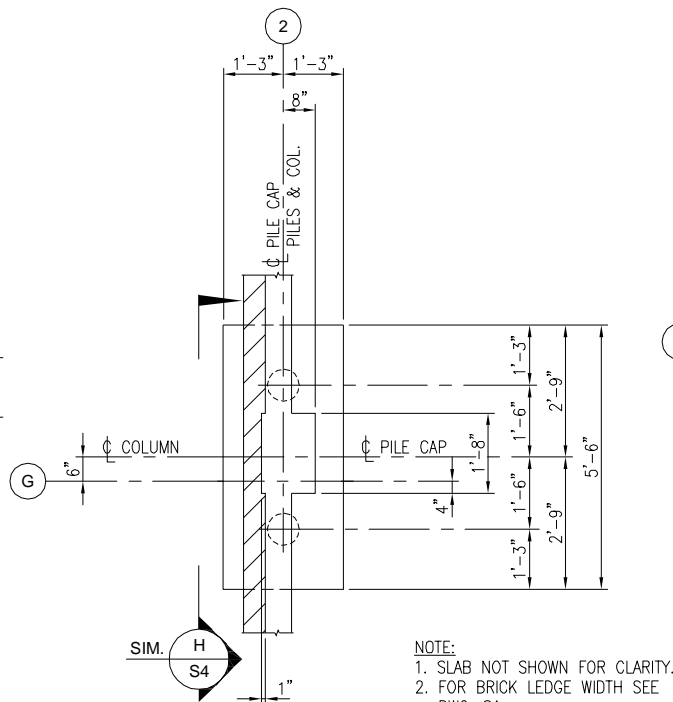
DETAIL 7
1/2" = 1'-0"



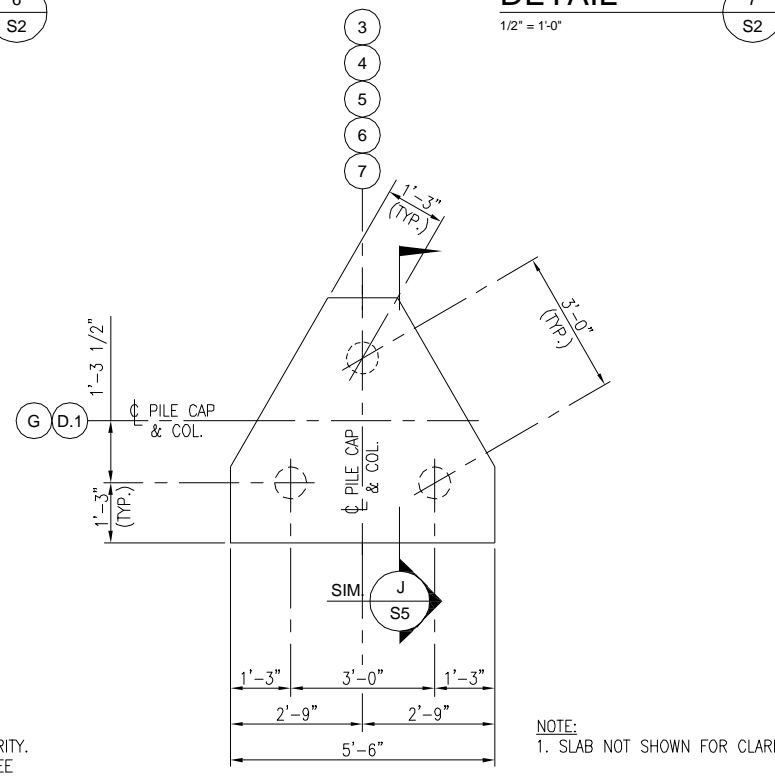
DETAIL 8
1/2" = 1'-0"



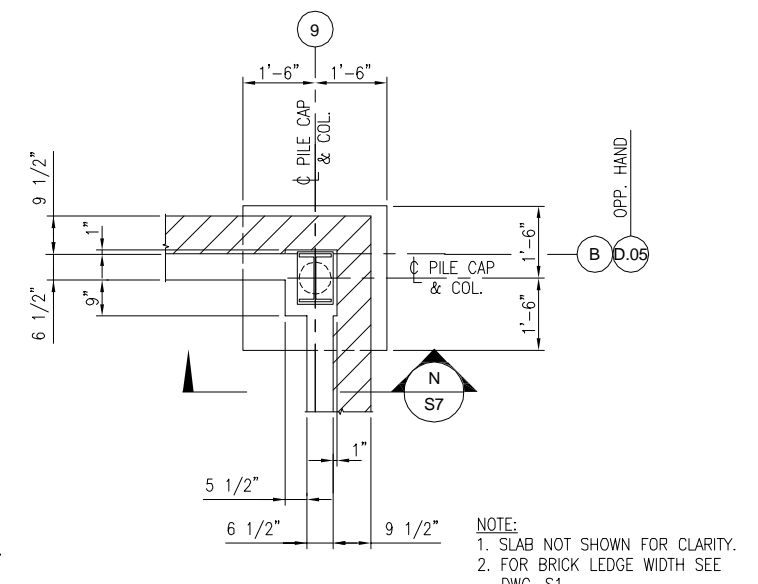
SECTION J
1/2" = 1'-0"



DETAIL 9
1/2" = 1'-0"



DETAIL 10
1/2" = 1'-0"



DETAIL 11
1/2" = 1'-0"

ISSUED BY:
Waldemar S. Nelson & Co.
FINAL DESIGN
29 / OCT / 2009

WALDEMAR S. NELSON AND COMPANY
ENGINEERS AND ARCHITECTS
1200 ST. CHARLES AVE NEW ORLEANS, LA.

BROADMOOR
BUILDING by DESIGN
BROADMOOR, L.L.C.
2740 North Arnaud Road
Metairie, Louisiana 70002
www.broadmoorllc.com

REV.	DESCRIPTION	DATE	APPROVED
0	FINAL DESIGN - 10/29/09	10/29/09	RW

NAVIRSEFAC CALIBRATION BLDG.
SECTIONS AND DETAILS
SHEET 3 OF 4

NAVFAC
Naval Facilities Engineering Command
Southern Division, Charleston, SC

RECORD DRAWING DATE	CODE LD. NO.	DRAWING SIZE	SPEC. NO. 06	CONSTR. CONTR. NO.	NAVFAC DRAWING NO.	SHEET	OF
3/31/09	-	D	-	-	15030880	7	12