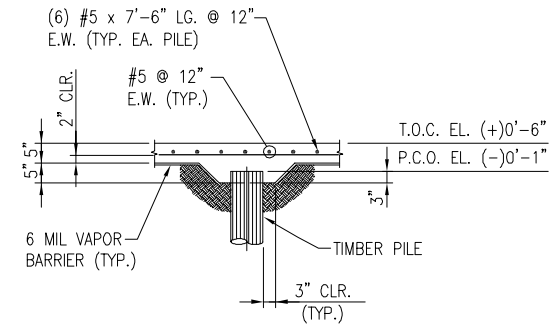
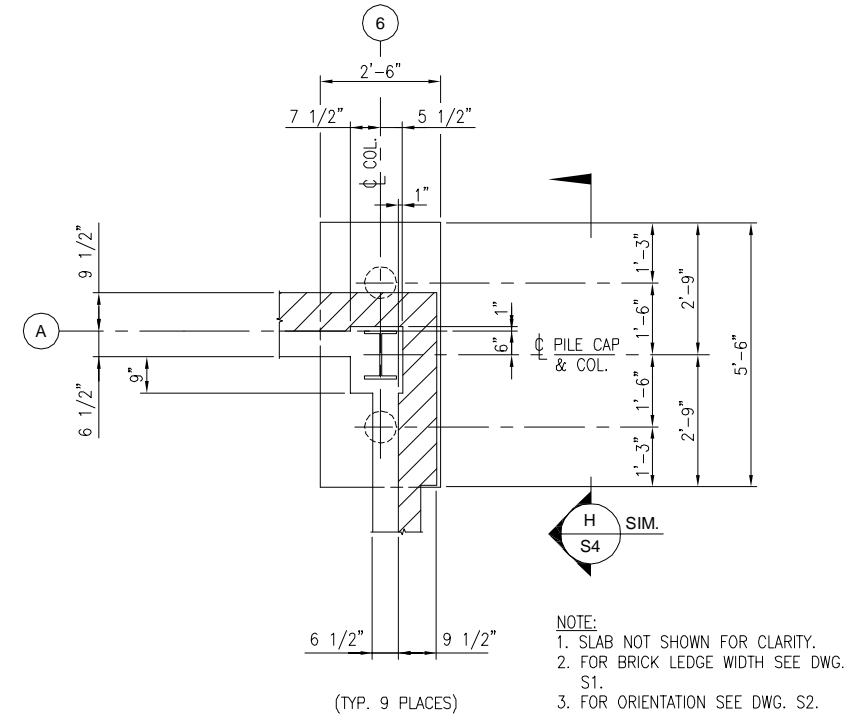


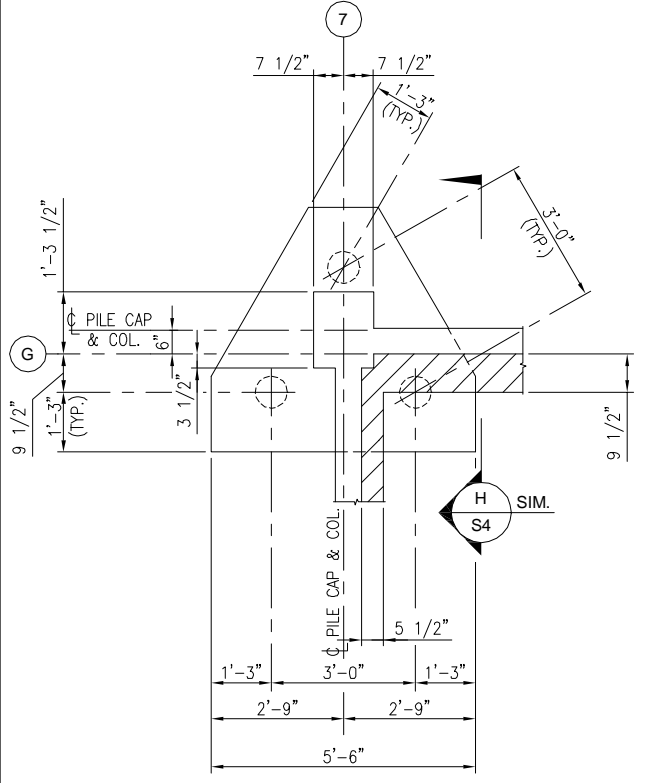
SECTION K
1/2" = 1'-0"



SECTION L
1/2" = 1'-0"

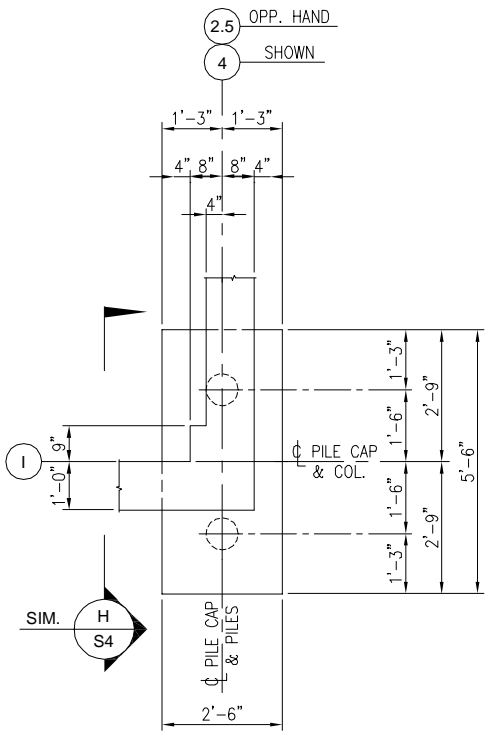


DETAIL 12
1/2" = 1'-0"



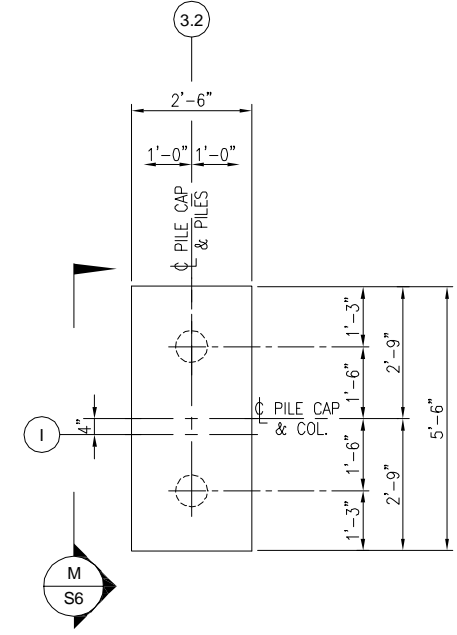
DETAIL 13
1/2" = 1'-0"

NOTE:
1. SLAB NOT SHOWN FOR CLARITY.
2. FOR BRICK LEDGE WIDTH SEE DWG. S1.



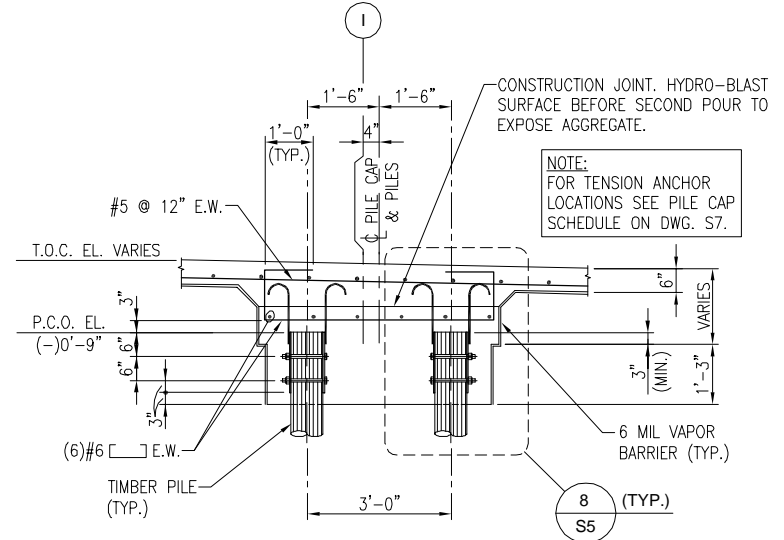
DETAIL 14
1/2" = 1'-0"

NOTE:
1. SLAB NOT SHOWN FOR CLARITY.

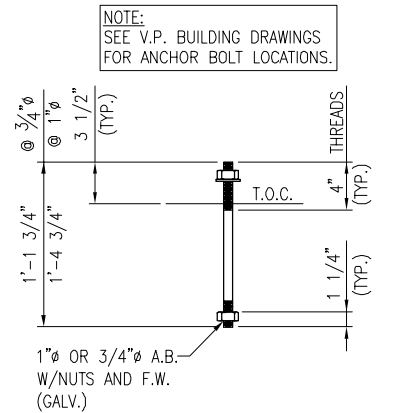


DETAIL 15
1/2" = 1'-0"

NOTE:
1. SLAB NOT SHOWN FOR CLARITY.



SECTION M
1/2" = 1'-0"



TYP. 3/4" ANCHOR BOLT
TYP. 1" ANCHOR BOLT
1 1/2" = 1'-0"

NOTE:
SEE V.P. BUILDING DRAWINGS FOR ANCHOR BOLT LOCATIONS.

NOTE:
FOR TENSION ANCHOR LOCATIONS SEE PILE CAP SCHEDULE ON DWG. S7.

CONSTRUCTION JOINT. HYDRO-BLAST SURFACE BEFORE SECOND POUR TO EXPOSE AGGREGATE.

REV.	DESCRIPTION	DATE	APPROVED
0	FINAL DESIGN	10/29/09	RW

ISSUED BY:
Waldemar S. Nelson & Co.
FINAL DESIGN
29 /OCT /2009

RECORD DRAWING DATE	3/31/09
CODE LD. NO.	-
DRAWING SIZE:	D
SPEC. NO. 06--	-
CONSTR. CONTR. NO.	N62467-
NAVFAC DRAWING NO.	15030881
SHEET	8 OF 12