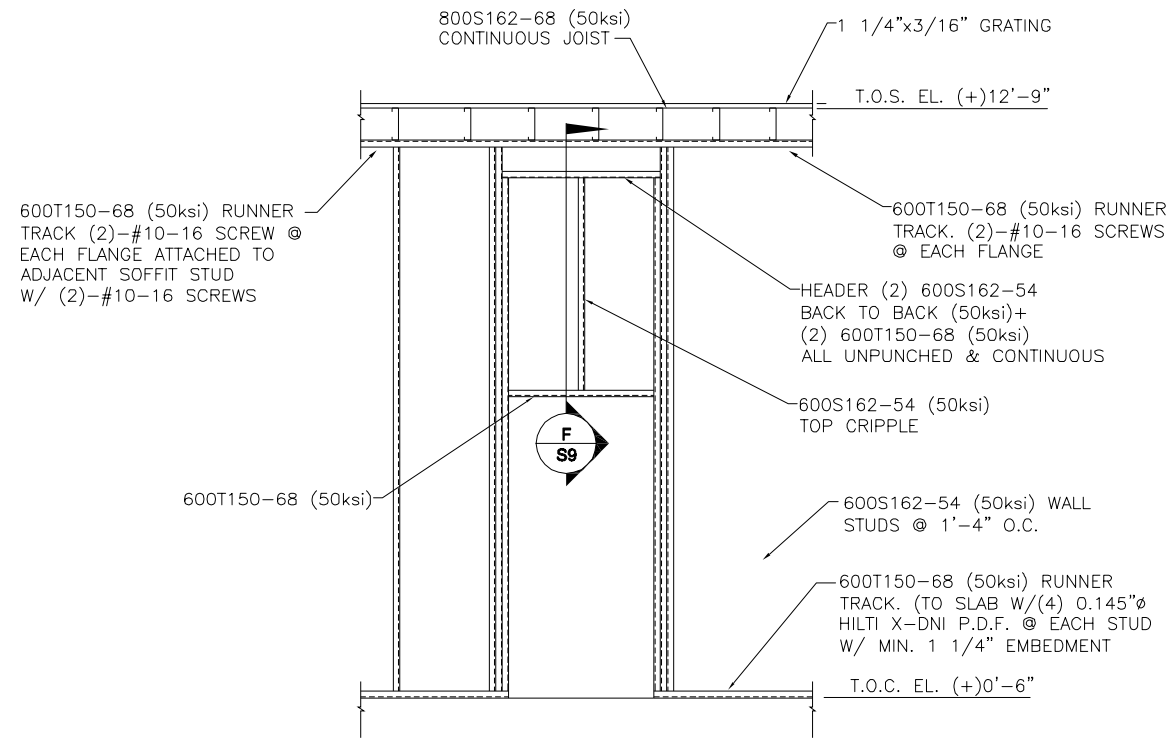


NOTE:
SEE DOOR SCHEDULE ON DWG.
A-014 FOR OPENING DIMENSIONS.

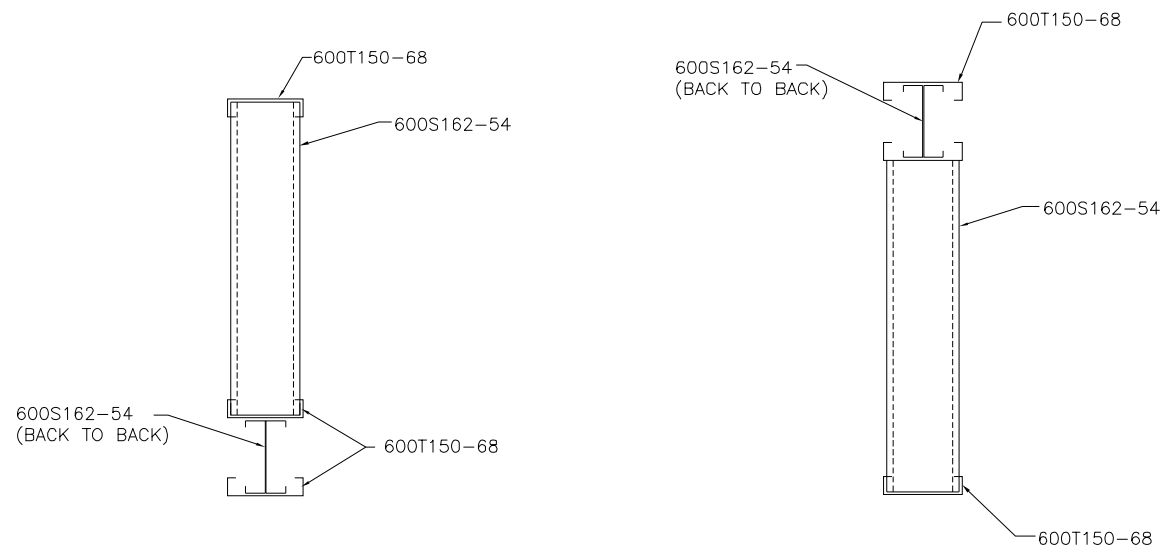
SECTION **D**
1/2" = 1'-0" **S8**



NOTE:
SEE DOOR SCHEDULE ON DWG.
A-014 FOR OPENING DIMENSIONS.

SECTION **E**
1/2" = 1'-0" **S8**

NOTE:
ALL COLD FORMED STEEL
SECTIONS, HANDRAIL SECTIONS
AND GRATING SHALL BE HOT
DIPPED GALVANIZED.



SECTION **G**
N.T.S. **S9**

SECTION **F**
N.T.S. **S9**

ISSUED BY:
Waldemar S. Nelson & Co.
FINAL DESIGN
29 /OCT /2009

WALDEMAR S. NELSON AND COMPANY
REGISTERED
ENGINEERS AND ARCHITECTS
1200 ST. CHARLES AVE NEW ORLEANS, LA.

BROADMOOR
BUILDING by DESIGN
BROADMOOR, L.L.C.
2740 North Arnoult Road
Metairie, Louisiana 70002
www.broadmoorllc.com

REV.	DESCRIPTION	DATE	APPROVED
0	FINAL DESIGN - 10/29/09	10/29/09	BW

NAS JRB New Orleans Belle Chasse, Louisiana
NAVAIRSEFAC CALIBRATION BLDG.
STRUCTURAL FRAMING DETAILS
ED FOR COMMANDER, NAVFAC

NAVFAC
Naval Facilities Engineering Command
Southern Division, Charleston, SC

STATE OF LOUISIANA
TOMAS J. MALLY
LICENSE No. 23459
PROFESSIONAL ENGINEER
IN
CIVIL ENGINEERING

RECORD DRAWING DATE	3/18/09
CODE I.D. NO.	-
DRAWING SIZE:	D
SPEC. NO.06-	-
CONSTRN. CONTR. NO.	N62467-
NAVFAC DRAWING NO.	15030884
SHEET	11 OF 12