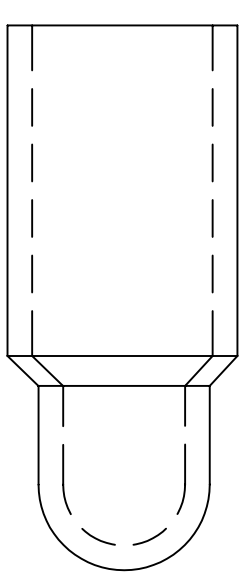
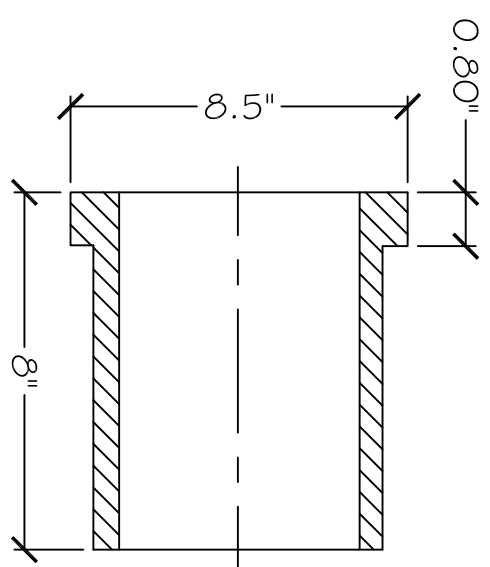


MATERIAL LIST

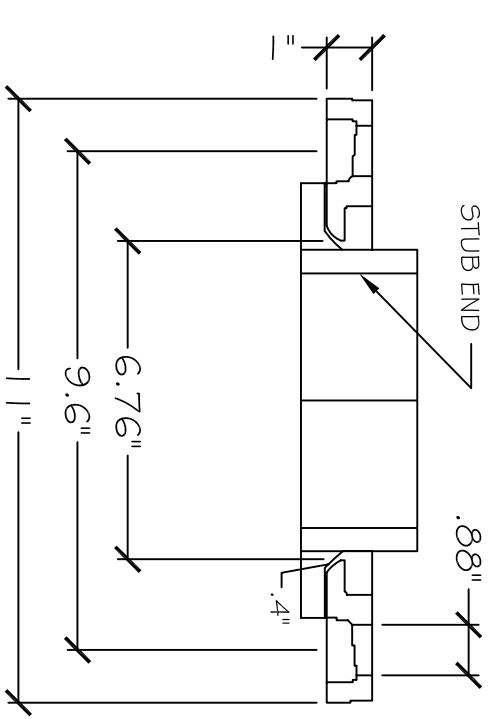
#	ITEM
1	6" SDR-11 CAP
2	6" SDR-11 FLANGE W/CI RING
3	6" SDR-11 90° ELL
4	6" SDR-11 TEE
5	6" X 2" HDPE SADDLE
6	2" POLYCAM TRANSITION HDPE TO STAINLESS
7	2" STAINLESS COLLAR
8	2" STAINLESS BALL VALVE W/ MALE PIPE THREADS
9	2" STAINLESS CAMLOCK DISCONNECT (FEMALE) W/HDPE CONNECTION
10	2" STAINLESS CAMLOCK DISCONNECT (MALE) W/FEMALE PIPE THREADS
11	6" STAINLESS BALL OR GATE VALVE WITH FLANGE
12	6" CAMLOCK STAINLESS (MALE) W/FEMALE PIPE THREADS
13	2" SDR-11 90° ELL
14	2" SDR-11 FLANGE W/PLUG
15	10" SDR-11 CAP
16	REDUCER 2" X 1 1/4" STAINLESS
17	6" POLYETHYLENE GASKET
18	6" BLIND FLANGE



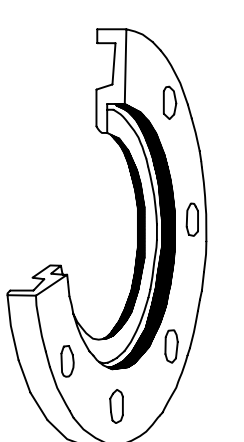
6" CAP
N.T.S. 1 A|A|A|



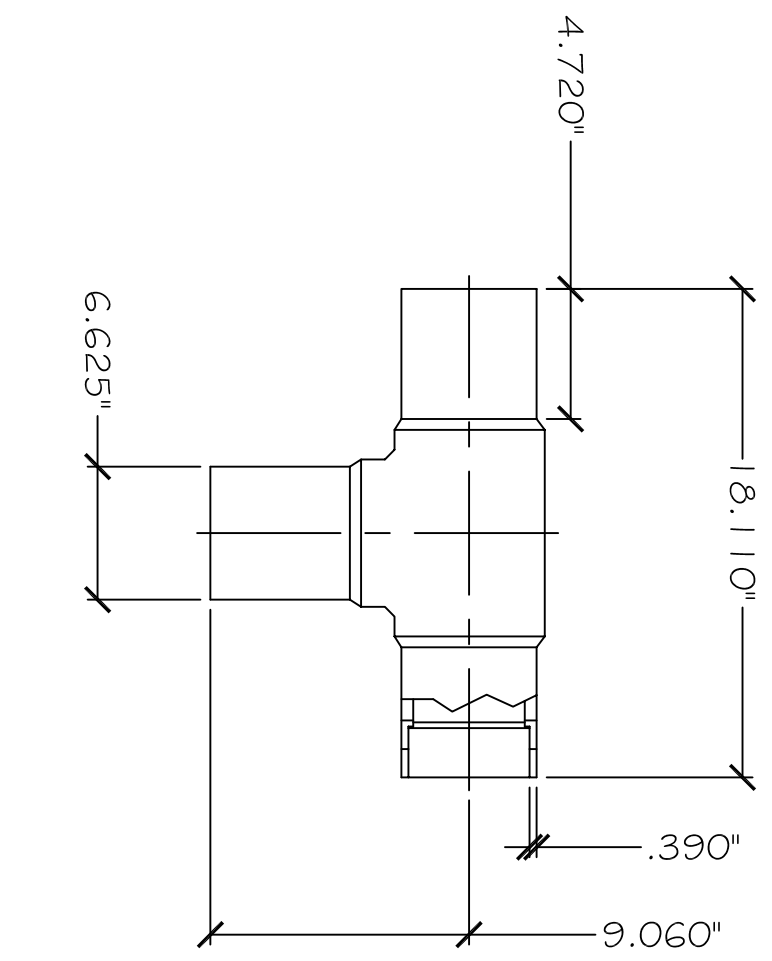
6" SDR-11 FLANGE
N.T.S. 2A A|A|A|



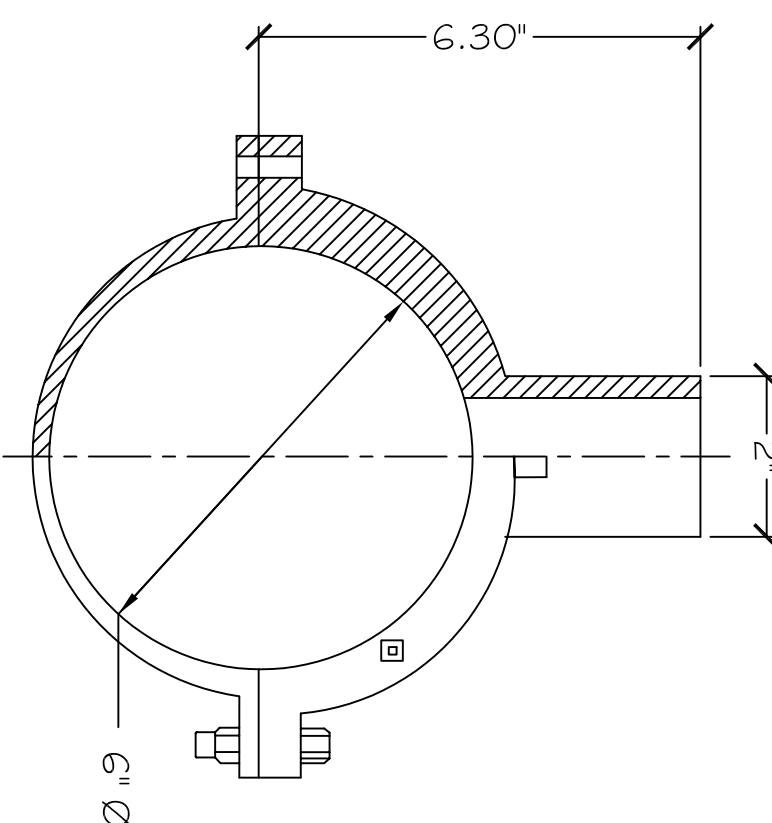
6" SDR-11 CI RING
N.T.S. 2B A|A|A|



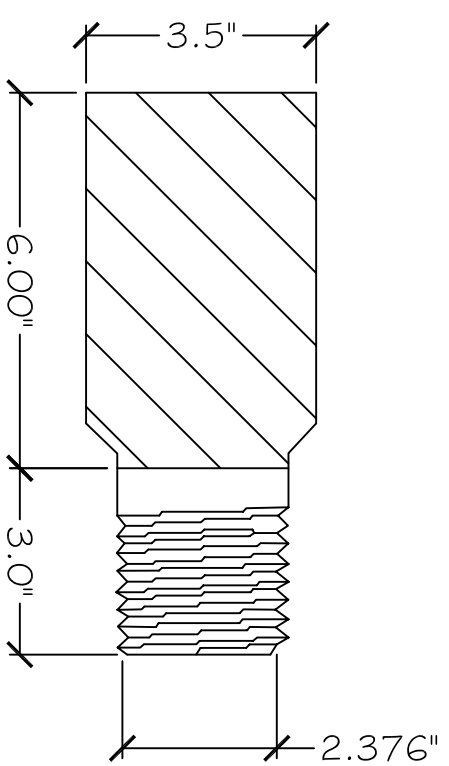
6" SDR-11 90° ELL
N.T.S. 3 A|A|A|



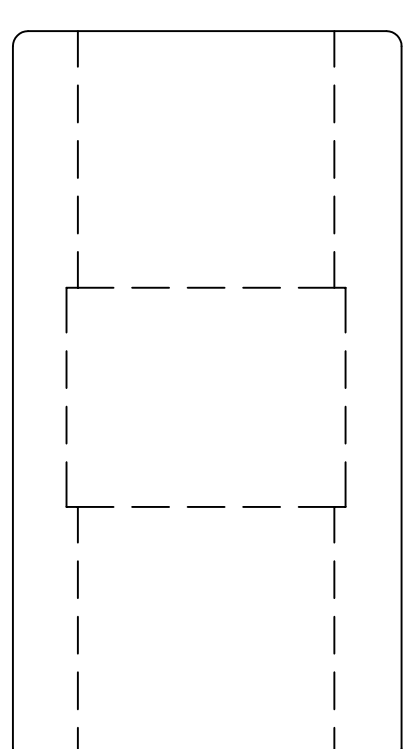
6" SDR-11 TEE
N.T.S. 4 A|A|A|



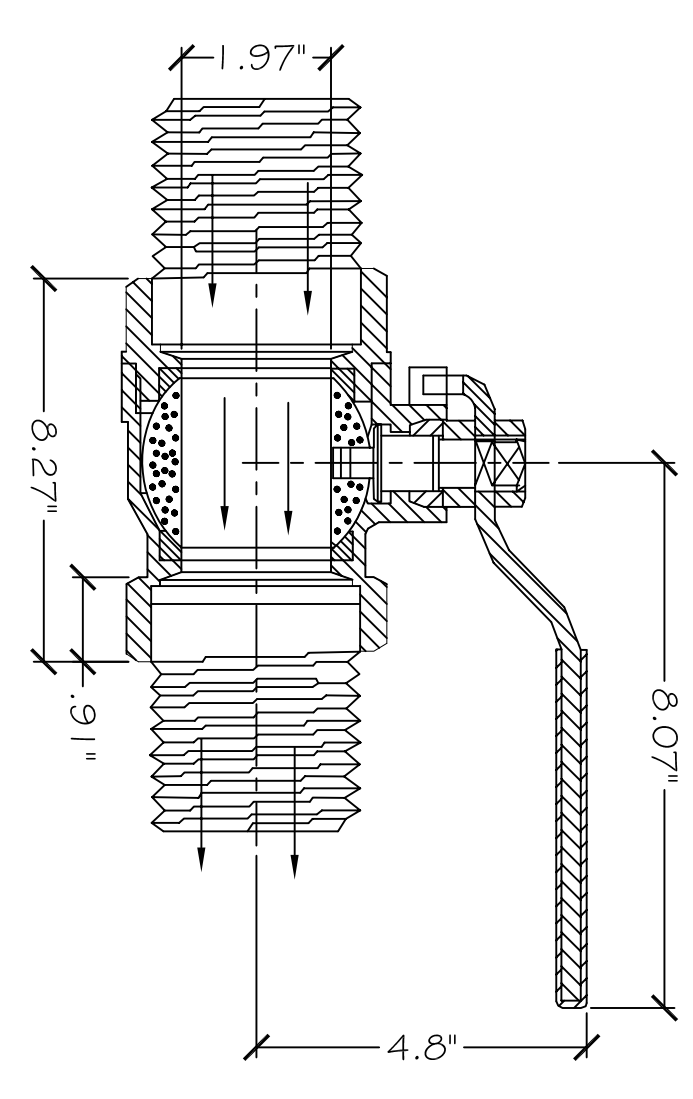
6" X 2" HDPE SADDLE
N.T.S. 5 A|A|A|



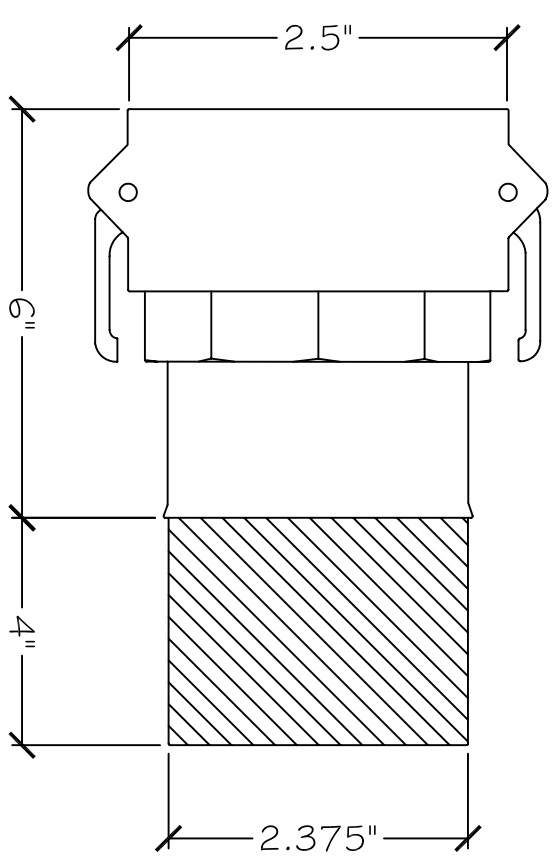
2" POLYCAM TRANSITION
HDPE TO STAINLESS
N.T.S. 6 A|A|A|



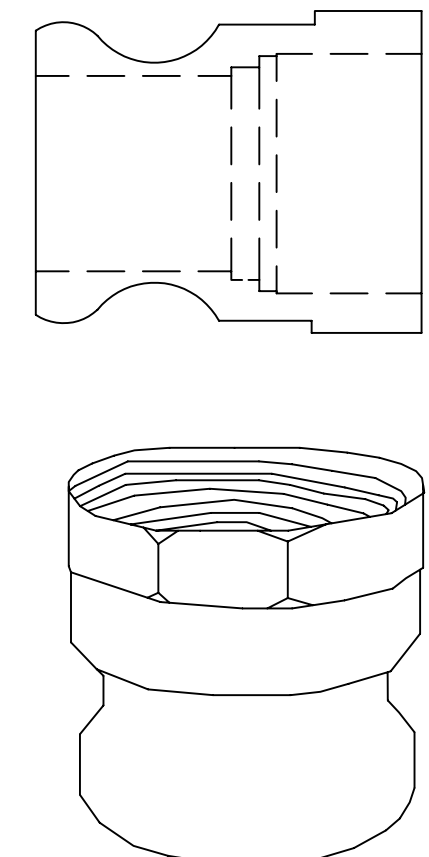
2" STAINLESS COLLAR
N.T.S. 7 A|A|A|



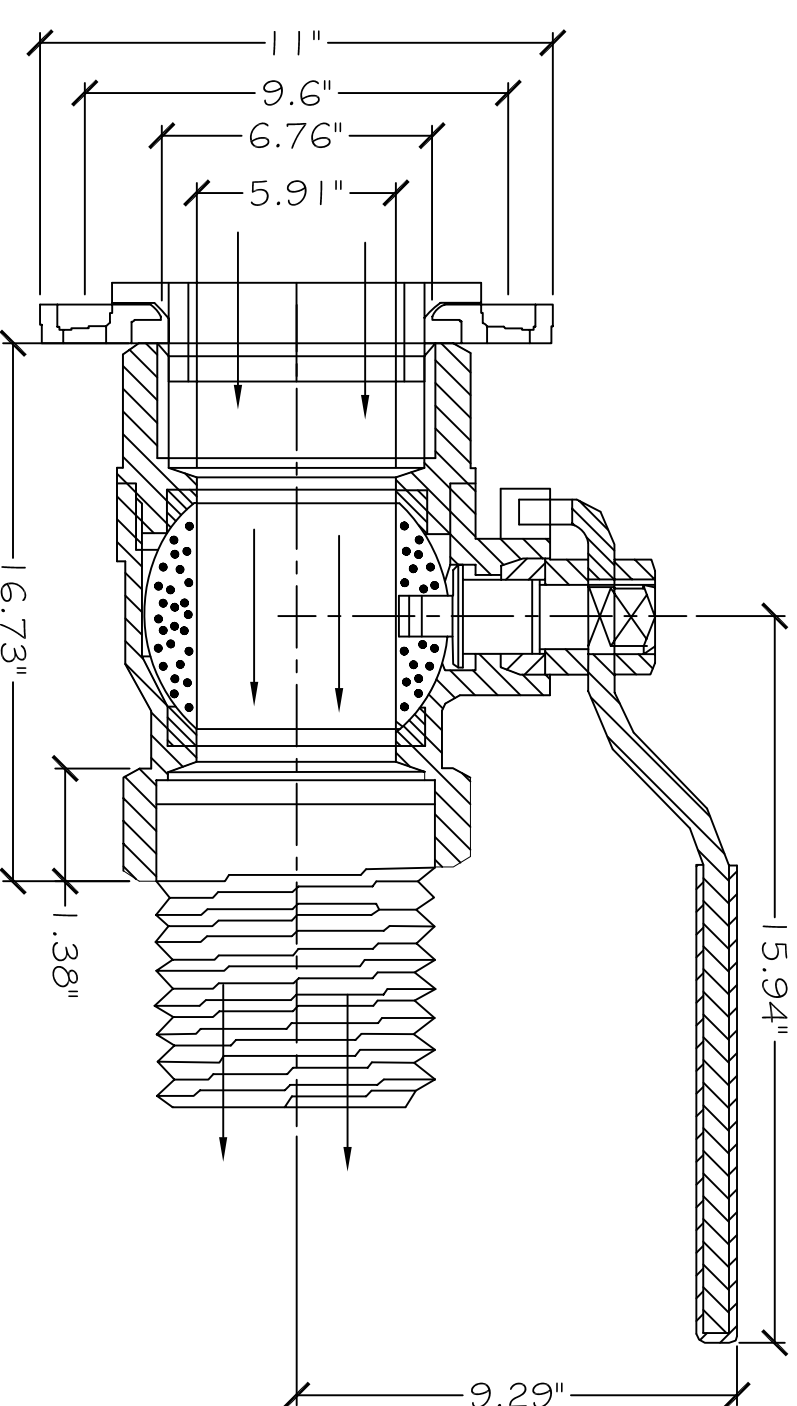
2" STAINLESS BALL VALVE
W/ MALE PIPE THREADS
N.T.S. 8 A|A|A|



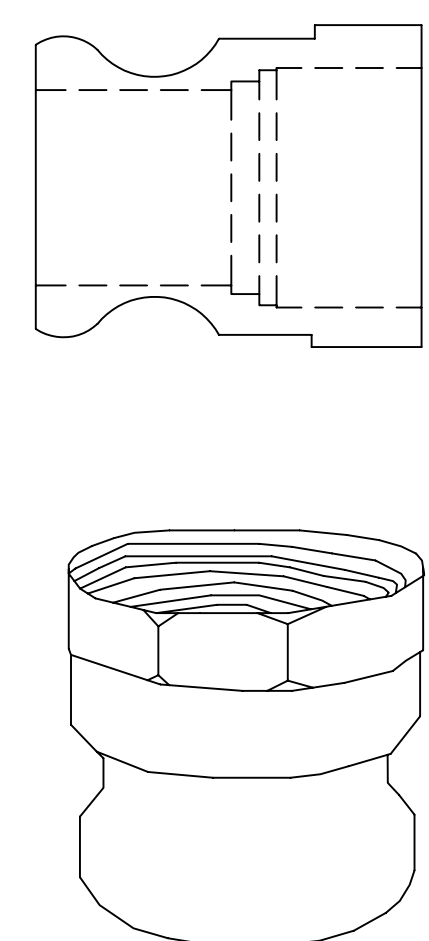
2" STAINLESS CAMLOCK DISCONNECT
(FEMALE) W/HDPE CONNECTION
N.T.S. 9 A|A|A|



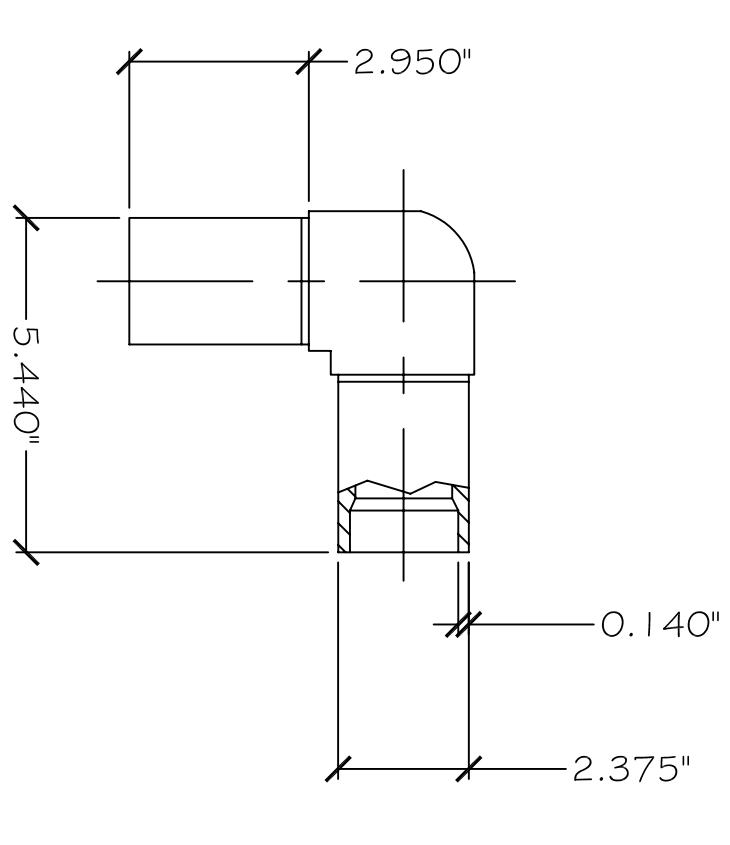
2" STAINLESS CAMLOCK DISCONNECT
W/FEMALE PIPE THREADS
N.T.S. 10 A|A|A|



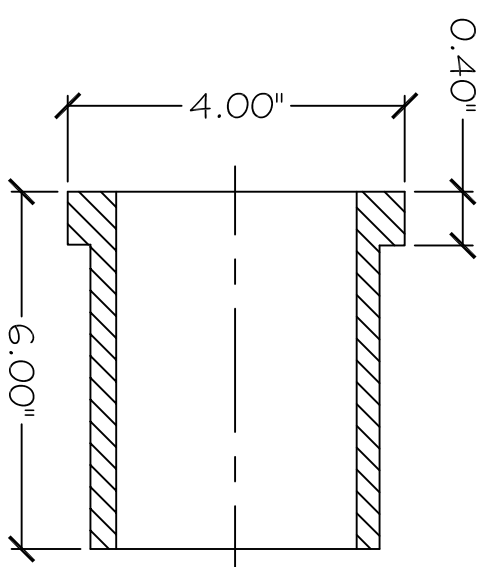
6" STAINLESS BALL VALVE
WITH FLANGE
N.T.S. 11 A|A|A|



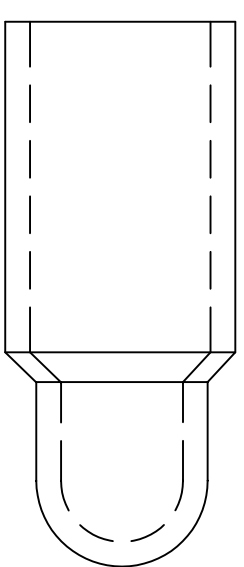
6" STAINLESS CAMLOCK (FEMALE)
W/FEMALE PIPE THREADS
N.T.S. 12 A|A|A|



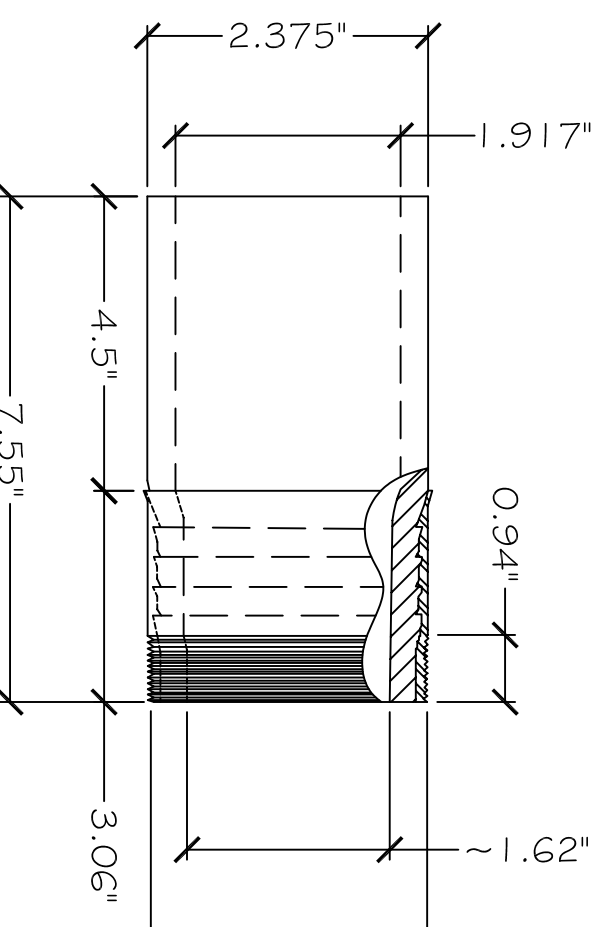
2" SDR-11 90° ELL
N.T.S. 13 A|A|A|



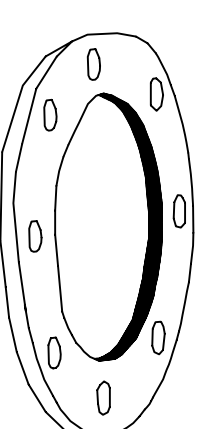
2" SDR-11 FLANGE
N.T.S. 14 A|A|A|



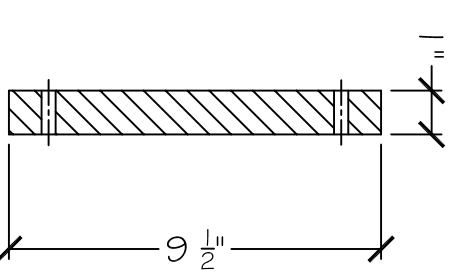
10" CAP
N.T.S. 15 A|A|A|



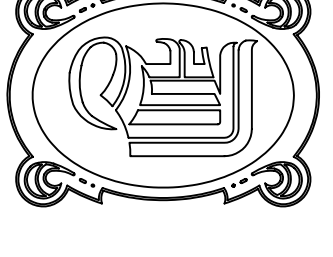
REDUCER 2" X 1 1/4" STAINLESS
N.T.S. 16 A|A|A|



6" POLYETHYLENE GASKET
N.T.S. 17 A|A|A|



6" BLIND FLANGE
N.T.S. 18 A|A|A|



DAMMON
ENGINEERING, INC.

EMMETT
DAMMON

ARCHITECT
ROBERT
WILTSE

1095 FLORIDA AVENUE
SLIDEL, LA. 70458
985-649-5832

WEBSITE:
WWW.DAMMONENGINEERING.COM

EMAIL:
DAMMONENG@BELLSOUTH.NET

ARCHITECTURE
ENGINEERING
STUDIES
PLANNING
INVESTIGATION
EXPERT WITNESS

TANGIPAHOA
PARISH
LANDFILL

TANGIPAHOA
CELL 12 - PHASE II (WEST)
LEACHATE & FORCE MAIN
PIPING SYSTEM

DETAIL #2

REV:
SCALE: AS NOTED
JOB#: 2067
DATE: 7-12-2010
SHEET

M-3

OF