

DAMMON
ENGINEERING, INC.

CHIEF ENGINEER
EMMETT
DAMMON, P.E.

CHIEF ARCHITECT
ROBERT
WILTSE

554 OLD SPANISH TRAIL
SLIDELL, LA. 70458
OFFICE: 985-649-5832
FAX: 985-641-5950

WEBSITE:
WWW.DAMMONENGINEERING.COM

EMAIL:
DAMMONENG@BELLSSOUTH.NET

ARCHITECTURE
ENGINEERING
STUDIES
PLANNING
INVESTIGATION
EXPERT WITNESS

TANGIPAHOA
PARISH
LANDFILL

TANGIPAHOA
CELL 12
- PHASE II (EAST)
LEACHATE & FORCE
MAIN PIPING SYSTEM

DETAIL #1

Emmett
4-25-2012

REV:

SCALE: AS NOTED

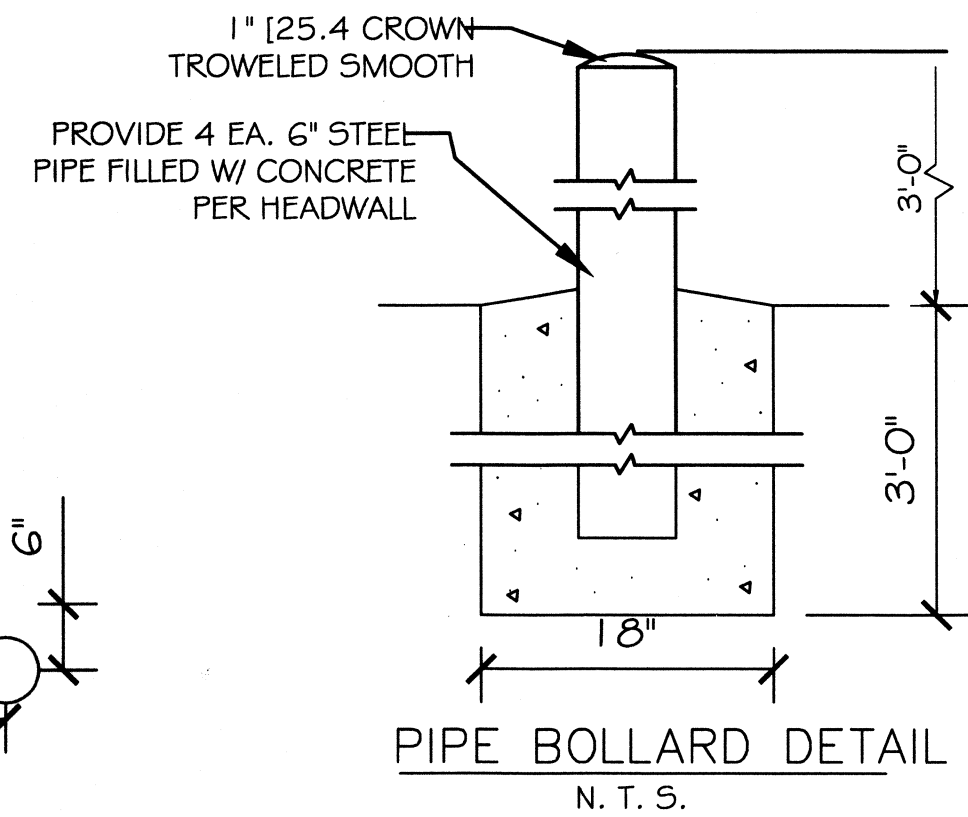
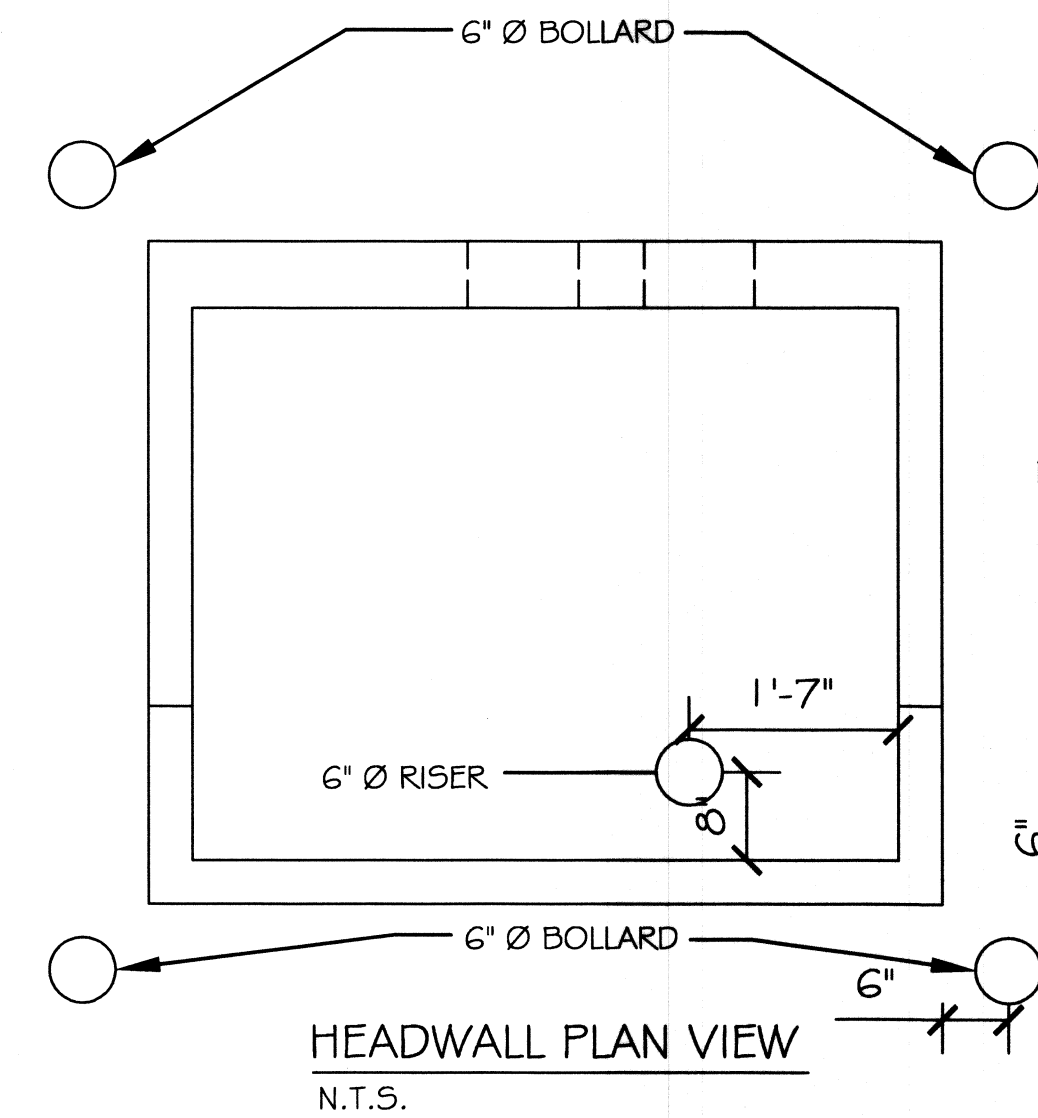
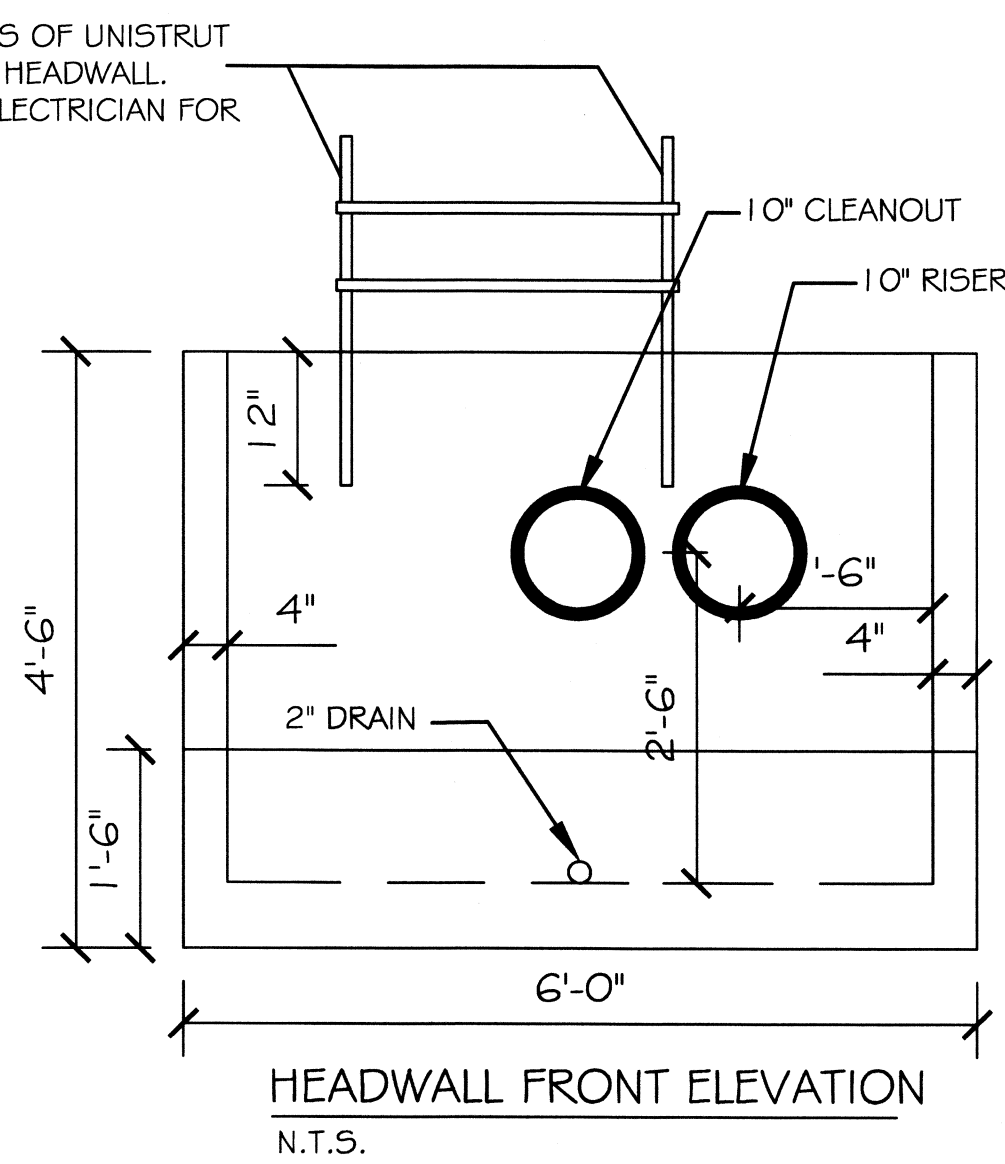
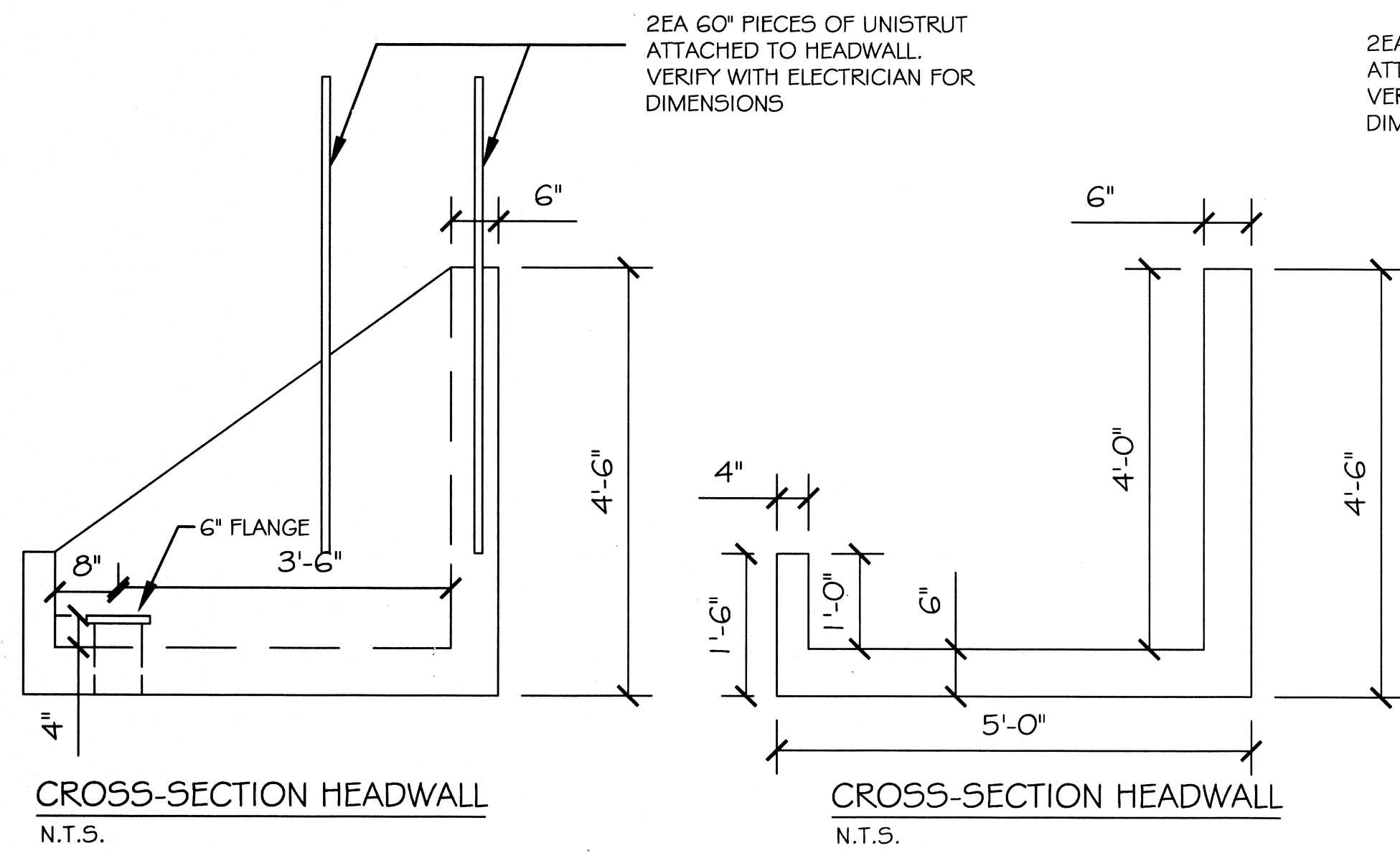
JOB#: 2138

DATE: 4/25/2012

SHEET

M-2

OF



HEADWALL NOTE: USE 4,000 psi CONCRETE, #5 BARS CONTINUOUS 12" O.C., ALL EDGES SHALL HAVE A CHAMFERED EDGE. WRAP ALL 10" PIPES WITH EXPANSION MATERIAL BEFORE SETTING IN CONCRETE HEADWALL.

HEADWALL DETAIL
N.T.S.

#	ITEM
1	6" SDR-11 CAP
2	6" SDR-11 FLANGE W/CI RING
3	6" SDR-11 90° ELL
4	6" SDR-11 TEE
5	6" X 2" HDPE SADDLE
6	2" POLYCAM TRANSITION HDPE TO STAINLESS
7	2" SWING CHECK VALVE, 316 STAINLESS STEEL, MDL 4VMU5
8	2" STAINLESS BALL VALVE W/ MALE PIPE THREADS
9	2" STAINLESS CAMLOCK DISCONNECT (FEMALE) W/HDPE CONNECTION
10	2" STAINLESS CAMLOCK DISCONNECT (MALE) W/FEMALE PIPE THREADS
11	6" STAINLESS BALL OR GATE VALVE WITH FLANGE
12	6" CAMLOCK STAINLESS (MALE) W/FEMALE PIPE THREADS
13	10" SDR-11 CAP
14	REDUCER 2" X 1 1/4" STAINLESS
15	6" POLYETHYLENE GASKET
16	6" BLIND FLANGE
17	6" TO 4" SDR-11 MOLDED BUTT REDUCER
18	4" STAINLESS BALL OR GATE VALVE WITH FLANGE
19	4" POLYETHYLENE GASKET
20	4" SDR-11 FLANGE W/CI RING

