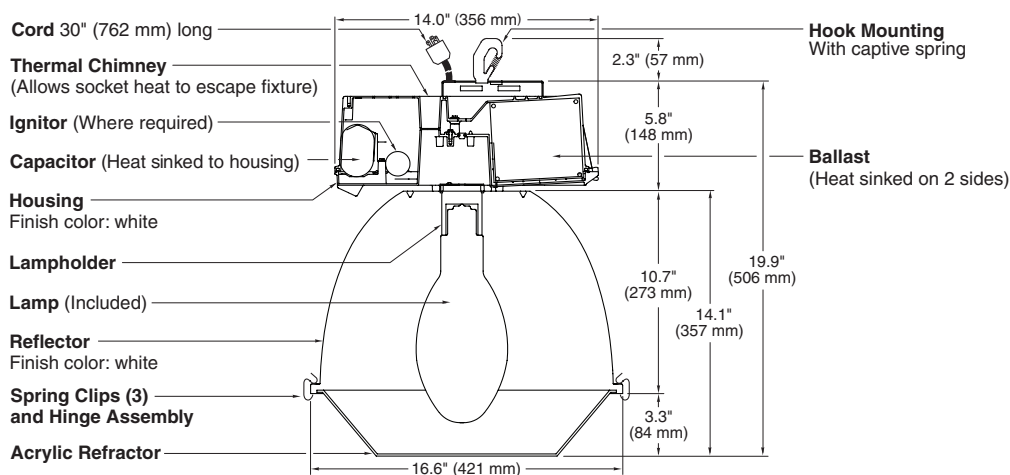


COMPACT LOW BAY — EZ BAY PLUS®

IC2
SERIES



SPEC #	WATTAGE	CATALOG #
PULSE START METAL HALIDE		
	150W PSMH	IC2615-(a)(b)
	200W PSMH	IC2620-(a)(b)
	250W PSMH	IC2625-(a)(b) ●
⚡	320W PSMH	IC2632-(a)(b) ●
	350W PSMH	IC2635-(a)(b)
	400W PSMH	IC2640-(a)(b) ●
HIGH PRESSURE SODIUM		
	150W HPS	IC2515-(a)(b)
	250W HPS	IC2525-(a)(b)
	400W HPS	IC2540-(a)(b)

(a) VOLTAGE SUFFIX KEY	
1	120V
2	277V
27	277V Reactor (150 – 400W PSMH Only)
3	208V
4	240V
5	480V
6	347V (Canada Only)

For voltage availability outside the US and Canada, see Bulletin TD-9 or contact your Ruud Lighting authorized International Distributor.

(b) OPTIONS (factory-installed)	
C	Stainless-steel Hardware
-(a)F	Fusing
K	2-Level Integrated Sensor ●
Q	Quartz Standby (delay relay w/100W quartz lamp) (N/A on 277V Reactor)
V	Polycarbonate Drop Prismatic Lens

Specify (a) Single Voltage — See Voltage Suffix Key
● 250W, 320W or 400W PSMH

Specify (a) Voltage & (b) Options.
● 2-Level available – consult factory.
⚡ Reduced envelope ED28 lamp.

GENERAL DESCRIPTION

Fixture is constructed of an aluminum die-cast ballast housing with a thermal chimney separating the ballast core and coil from the capacitor and other components. Painted spun-aluminum reflector is scientifically designed to maximize efficiency. Optical chamber is fully gasketed at connection to fixture and between lens and frame. Dacron breather gasket between lens and reflector. The reflector is held to the ballast compartment with screws. Drop prismatic refractor is precision injection-molded acrylic and secure to the reflector by supporting ring and clip assembly. Mounting configuration of Hook, Cord & Plug includes a heavy-duty steel hanger with safety-lock spring and 30" (762 mm) cord with a factory-installed NEMA locking-type cord cap.

ELECTRICAL

Fixture includes clear, mogul-base lamp. Pulse-rated porcelain open, 4kv-rated screw-shell-type lampholder with spring-loaded center contact. Lamp ignitor included where required. Ballast assemblies are high-power factor and consist of the following circuit types:

277V Reactor
150 – 400W PSMH

HX — High Reactance
150W PSMH, 150W HPS

CWA — Constant Wattage Autotransformer
200 – 400W PSMH; 250 – 400W HPS;
150W PSMH – 480V

LABELS

UL and cUL Listed for damp and wet (IP65-rated fixture option) locations and for a maximum ambient temperature of 40°C; most wattages higher – See Technical Data Sheet TD-12 on our web site.

ACCESSORIES

Locking-Type Receptacle

L5-15R	120V
L6-15R	208/240V
L7-15R	277V
L37*20R	347V
L8-20R	480V ●
L14-20R	120V ●
L16-20R	277V

PH-(a) Power Hook ●
Note: Specify PH-2 for 277V Reactor

SC-5 Safety Cable with Hang-Fast (5'/1.5 m)

Specify (a) Single Voltage — See Voltage Suffix Key
● 2-Level available – consult factory.

FINISH

White powdercoat finish. The finish is covered by our seven-year limited warranty.

PATENTS

6,394,869; 6,467,927; 6,867,959; 6,974,230;
Patents Pending

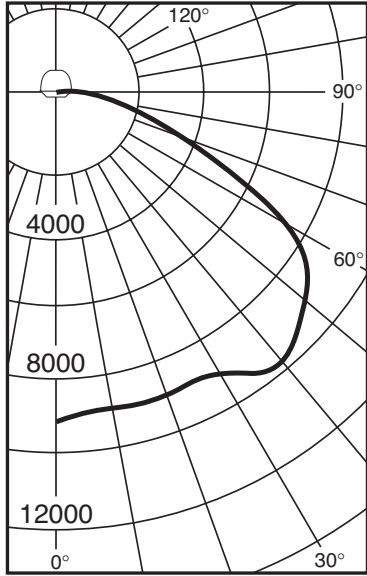
IC2 SERIES

HOOK, CORD & PLUG MOUNT

COMPACT LOW BAY — EZ BAY PLUS®

High Pressure Sodium

Lamp: 400 Watt (Clear) – 50,000 lumens
 Lens: Drop Prismatic Acrylic
 Test Distance: 26' (8 m)
 Certified Test Report:
 Independent Testing Laboratories Inc.
 No. ITL 36609



Efficiency = 74.6%; SC = 1.6

Candlepower Summary

Angle	Mean CP	Lumens
0	9011	
5	8870	843
15	8776	2492
25	8835	4112
35	9474	5938
45	9480	7325
55	8243	7244
65	5038	4974
75	2419	2610
85	900	978
95	270	307
105	235	245
115	158	161
125	82	78
135	0	0
145	0	0
155	0	0
165	0	0
175	0	0
180	0	0

Zonal Lumens and Percentages

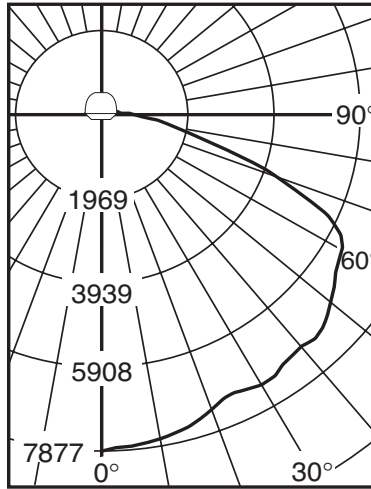
Zone	Lumens	% Lamp	% Fixture
0-30	7447	14.90	20.00
0-40	13385	26.80	35.90
0-60	27953	55.90	74.90
0-90	36515	73.00	97.90
90-120	713	1.40	1.90
90-130	791	1.60	2.10
90-150	791	1.60	2.10
90-180	91	1.60	2.10
0-180	37306	74.60	100.00

Luminance Data

Angle	Average (FL)
45°	36321
55°	35294
65°	25317
75°	15271
85°	7967

Pulse Start Metal Halide

Lamp: 400 Watt (Clear) – 36,000 lumens
 Lens: Drop Prismatic Acrylic
 Test Distance: 26' (8 m)
 Certified Test Report:



Efficiency = 76.3%; SC = 1.6

Candlepower Summary

Angle	Mean CP	Lumens
0	6418	
5	6331	601
15	6149	1742
25	6127	2838
35	6336	4028
45	6605	5081
55	5888	5271
65	4876	4677
75	1862	2062
85	595	679
95	190	216
105	158	167
115	92	87
125	11	20
135	0	0
145	0	0
155	0	0
165	0	0
175	0	0
180	0	0

Zonal Lumens and Percentages

Zone	Lumens	% Lamp	% Fixture
0-30	5181	14.40	18.90
0-40	9209	25.60	33.50
0-60	19561	54.30	71.20
0-90	26979	74.90	98.20
90-120	470	1.30	1.70
90-130	489	1.40	1.80
90-150	489	1.40	1.80
90-180	489	1.40	1.80
0-180	27468	76.30	100.00

Luminance Data

Angle	Average (FL)
45°	25306
55°	25211
65°	24503
75°	11755
85°	5262

Coefficients of Utilization

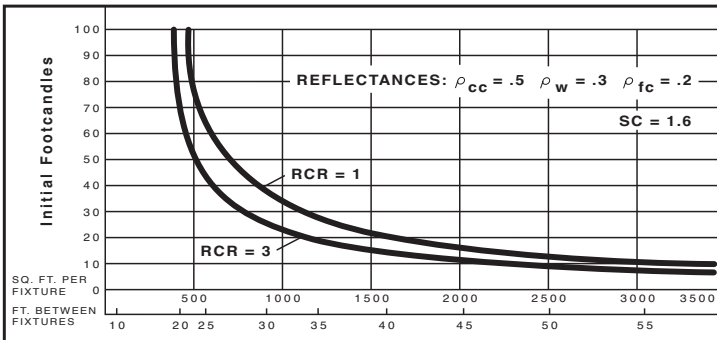
Effective Floor Cavity Reflectance = 0.20

CC	80				70				50				30				10			
	WALL	70	50	30	10	70	50	30	10	50	30	10	50	30	10	50	30	10		
RCR	0	0.88	0.88	0.88	0.88	0.86	0.86	0.86	0.86	0.82	0.82	0.82	0.78	0.78	0.78	0.75	0.75	0.75		
	1	0.81	0.77	0.74	0.71	0.79	0.75	0.72	0.70	0.72	0.69	0.67	0.69	0.67	0.65	0.66	0.64	0.63		
2	0.74	0.67	0.62	0.58	0.71	0.66	0.61	0.57	0.63	0.59	0.56	0.60	0.57	0.54	0.58	0.55	0.53			
	3	0.67	0.59	0.53	0.48	0.65	0.58	0.52	0.47	0.55	0.50	0.46	0.53	0.49	0.45	0.51	0.47	0.44		
4	0.61	0.52	0.46	0.41	0.59	0.51	0.45	0.40	0.49	0.44	0.39	0.47	0.42	0.39	0.45	0.41	0.38			
	5	0.56	0.46	0.39	0.34	0.54	0.45	0.39	0.34	0.43	0.38	0.33	0.42	0.37	0.33	0.40	0.36	0.32		
6	0.51	0.41	0.34	0.29	0.49	0.40	0.33	0.29	0.38	0.32	0.28	0.37	0.32	0.28	0.35	0.31	0.27			
	7	0.46	0.36	0.29	0.24	0.45	0.35	0.29	0.24	0.34	0.28	0.24	0.32	0.27	0.23	0.31	0.27	0.23		
8	0.43	0.32	0.25	0.21	0.41	0.31	0.25	0.21	0.30	0.25	0.20	0.29	0.24	0.20	0.28	0.23	0.20			
	9	0.39	0.29	0.22	0.18	0.38	0.28	0.22	0.18	0.27	0.21	0.18	0.26	0.21	0.17	0.25	0.21	0.17		
10	0.36	0.26	0.20	0.15	0.35	0.25	0.19	0.15	0.24	0.19	0.15	0.24	0.19	0.15	0.23	0.18	0.15			

Coefficients of Utilization

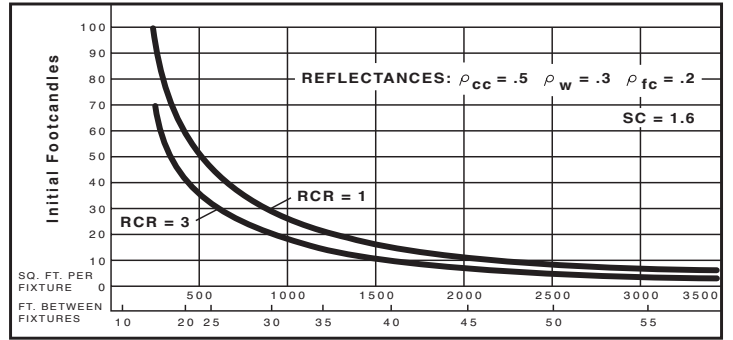
Effective Floor Cavity Reflectance = 0.20

CC	80				70				50				30				10			
	WALL	70	50	30	10	70	50	30	10	50	30	10	50	30	10	50	30	10		
RCR	0	0.91	0.91	0.91	0.91	0.88	0.88	0.88	0.88	0.84	0.84	0.84	0.80	0.80	0.80	0.77	0.77	0.77		
	1	0.82	0.79	0.75	0.72	0.80	0.77	0.74	0.71	0.73	0.71	0.68	0.70	0.68	0.66	0.67	0.65	0.64		
2	0.75	0.68	0.63	0.58	0.73	0.67	0.62	0.58	0.64	0.60	0.56	0.61	0.58	0.55	0.59	0.56	0.53			
	3	0.68	0.59	0.53	0.48	0.66	0.58	0.52	0.47	0.56	0.50	0.46	0.53	0.49	0.45	0.51	0.47	0.44		
4	0.62	0.52	0.45	0.40	0.60	0.51	0.45	0.40	0.49	0.43	0.39	0.47	0.42	0.38	0.45	0.41	0.38			
	5	0.56	0.46	0.39	0.33	0.54	0.45	0.38	0.33	0.43	0.37	0.32	0.41	0.36	0.32	0.40	0.35	0.31		
6	0.51	0.40	0.33	0.28	0.49	0.39	0.33	0.28	0.38	0.32	0.27	0.36	0.31	0.27	0.35	0.30	0.27			
	7	0.46	0.35	0.28	0.23	0.45	0.35	0.28	0.23	0.33	0.27	0.23	0.32	0.27	0.23	0.31	0.26	0.22		
8	0.43	0.32	0.25	0.20	0.41	0.31	0.25	0.20	0.30	0.24	0.20	0.29	0.24	0.20	0.28	0.23	0.19			
	9	0.39	0.28	0.22	0.17	0.38	0.28	0.22	0.17	0.27	0.21	0.17	0.26	0.21	0.17	0.25	0.20	0.17		
10	0.36	0.26	0.19	0.15	0.35	0.25	0.19	0.15	0.24	0.19	0.15	0.24	0.18	0.15	0.23	0.18	0.14			



QUICK CALCULATOR: Use this chart to determine the number and spacing of Ruud Compact Low Bay lights with 50,000 lumen, clear 400W HPS lamp. Determine number and spacing for other wattages by using these multipliers:

150W HPS 0.32 250W HPS 0.55



QUICK CALCULATOR: Use this chart to determine the number and spacing of Ruud Compact Low Bay lights with 36,000 lumen, clear 400W PSMH lamp. Determine number and spacing for other wattages by using these multipliers:

250W PSMH 0.57 400W PSMH 1.17



© 2012 Ruud Lighting, Inc. – A Cree Company. All rights reserved. The information in this document is subject to change without notice.

9201 Washington Avenue • Racine, Wisconsin 53406-3772 • PHONE: (800) 236-7000 • FAX: (800) 236-7500 • WEB: www.ruudlightingdirect.com Rev. 07/05/12