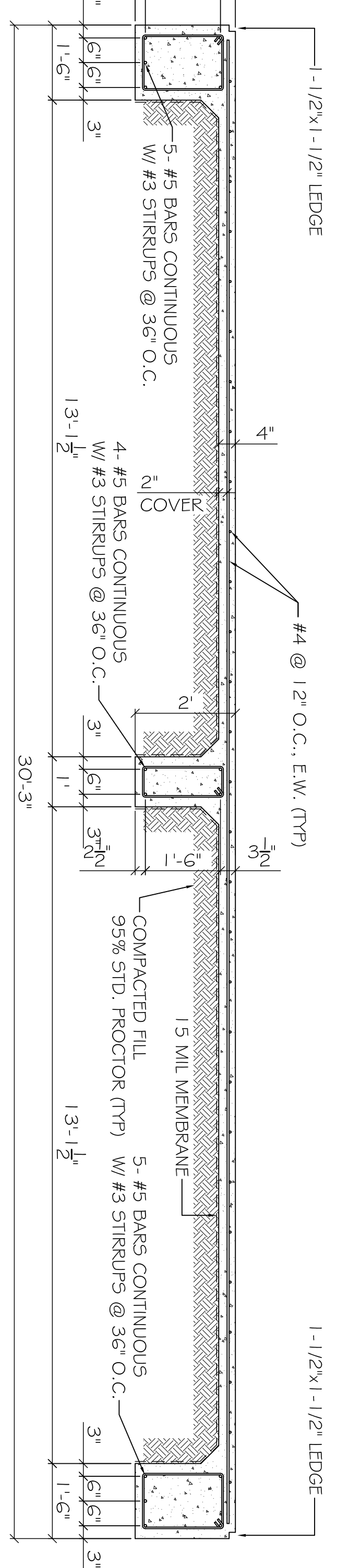
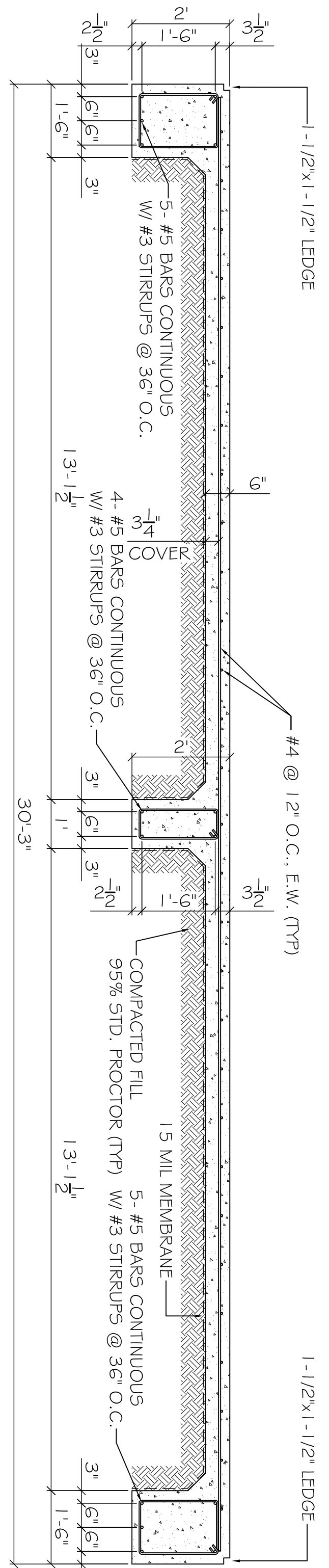


NOTE:  
DEV. LENGTH: #4 = 20"  
MIN. SPLICE: #4 = 26"



**FOUNDATION NOTES:**

1. THE CONCRETE MIX SHALL HAVE A MINIMUM COMPRESSIVE STRENGTH OF 4,000 PSI AT 28 DAYS. CONCRETE MIX SHALL BE IN ACCORDANCE WITH ACI-318.
2. ALL CONVENTIONAL REINFORCING STEEL SHALL MEET ASTM-A615 (GRADE 60).
3. ONE LAYER OF POLYETHYLENE VAPOR BARRIER SHALL BE PLACED UNDER ALL CONCRETE. VAPOR RETARDER TO BE 1.5 MIL. STRENGTH, ASTM E-1745 CLASS A, PERMEANCE LESS THAN 0.01 PERMS, EQUAL TO STEGO INDUSTRIES STEGO WRAP, ECOSHIELD-E 1.5 MIL BY EPFO, OR IKONBAR 1.5 BY FLATIRON FILMS. PROVIDE APPROPRIATE ACCESSORIES FOR A COMPLETE SYSTEM.
4. ALL REINFORCING STEEL AND MESH SHALL BE SECURELY SUPPORTED TO PREVENT BOTH VERTICAL AND HORIZONTAL MOVEMENT DURING CONCRETE PLACEMENT.
5. THE CONTRACTOR SHALL VERIFY ALL DROPS, OFFSETS, BRICK LEDGES, DIMENSIONS AND CONFIGURATIONS. CONTRACTOR MUST BE RESPONSIBLE FOR SAME.
6. GRADE BEAM SIZES MAY VARY BY -5%, +20%.
7. ALL SUB GRADE FILL SHALL BE SELECT GRANULAR MATERIAL COMPACTED TO 95% STANDARD PROCTOR DENSITY IN A MAXIMUM OF 6" LIFTS.
8. A MINIMUM OF 6" CONCRETE SHALL BE MAINTAINED THROUGHOUT THE SLAB.
9. ALL RUNOFF WATER MUST BE CARRIED AWAY FROM THE SLAB TO PREVENT SATURATION OF THE SUB-BASE.
10. ALL TREES WITHIN CLOSE PROXIMITY SHALL BE REMOVED TO PREVENT THE ROOTS FROM EXTENDING UNDER THE SLAB.
11. PROVIDE AND MAINTAIN IMMEDIATE SITE DRAINAGE BEFORE, DURING, AND AFTER CONSTRUCTION. PROVIDE GRADING, SWELLS, AND SUMP PUMPS AS MAY BE REQUIRED TO IMMEDIATELY DRAIN ALL RAINWATER FROM THE CONSTRUCTION AREA. FOOTING EXCAVATIONS SHOULD BE OBSERVED AND CONCRETE PLACED AS QUICKLY AS POSSIBLE TO AVOID EXPOSURE OF THE FOOTING BOTTOMS TO WETTING AND DRYING. SURFACE RUNOFF WATER SHOULD BE DRAINED AWAY FROM THE EXCAVATIONS AND NOT BE ALLOWED TO POND PRIOR OR AFTER CONCRETE PLACEMENT. IF IT IS REQUIRED THAT A FOOTING EXCAVATIONS BE LEFT OPEN FOR MORE THAN ONE DAY, THEY SHOULD BE PROTECTED TO REDUCE EVAPORATION OR ENTRY OF MOISTURE.
12. NEW SPREAD CONCRETE FOOTINGS AND CONTINUOUS FOOTINGS, BEARING ON COMPACTED STRUCTURAL FILL AT LEAST 2 FEET BELOW FINISHED GRADE, SHOULD BE DESIGNED FOR MAXIMUM NET ALLOWABLE BEARING PRESSURES OF 1,250 PSF, BASED ON DEAD LOADS AND DESIGN LIVE LOADS.
13. BASED ON THE RESULTS OF THE FIELD AND LABORATORY TEST AND THE ANTICIPATED FOUNDATION LOADS, ESTIMATED MAXIMUM FOUNDATION SETTLEMENTS SHOULD NOT EXCEED 1 INCH. DIFFERENTIAL SETTLEMENT IS ESTIMATED TO BE LESS THAN 1 INCH.
14. TREAT SOIL BELOW SLAB FOR TERMITES.
15. THIS DESIGN IS BASED ON ASSUMED LOADING CONDITIONS AND WILL BE REVIEWED ONCE BLDG. REACTIONS ARE PROVIDED TO ENGINEER.
16. METAL BLDG. MFR. TO PROVIDE FINAL WIND LOAD REACTIONS TO ENGINEER.

3 1/2" THICK CONCRETE PAD WITH CHAMFERED EDGES, PAD TO BE MINIMUM 2' LARGER THAN UNIT

COORDINATE SLOPE WITH FLOOR PLAN

6" CONCRETE FILLED STEEL BOLLARD (TYP OF Ø)

6" THICK CONCRETE APRON W/ 6x6 - W/ 1.4xW/ 1.4 AT MID DEPTH

FOUNDATION PLAN  
SCALE: 1/4" = 1'-0"

SECTION A  
SCALE: 1/2" = 1'-0"

SECTION B  
SCALE: 1/2" = 1'-0"

**U.S. FISH & WILDLIFE SERVICE**  
**NEW EQUIPMENT STORAGE BLDG.**  
UPPER OLIACHITA NATIONAL WILDLIFE REFUGE  
BASTROP, LA

JOB No:	2151	DATE:	10/02/12
DRAWN BY:	BSN	CHECKED BY:	BSN



**DAMMON**  
ENGINEERING, INC.  
Architects & Engineers

CHIEF ENGINEER, EMMETT DAMMON, P.E.  
CHIEF ARCHITECT, ROBERT WILTSE  
554 OLD SPANISH TRAIL  
SLIDELL, LA 70458

dammoneengineering.com  
dammoneng@bellsouth.net  
PHONE: 985-649-5832  
FAX: 985-641-5990

100% DESIGN DRAWINGS  
FOUNDATION PLAN

SHEET No: 01 OF 05

S-1