

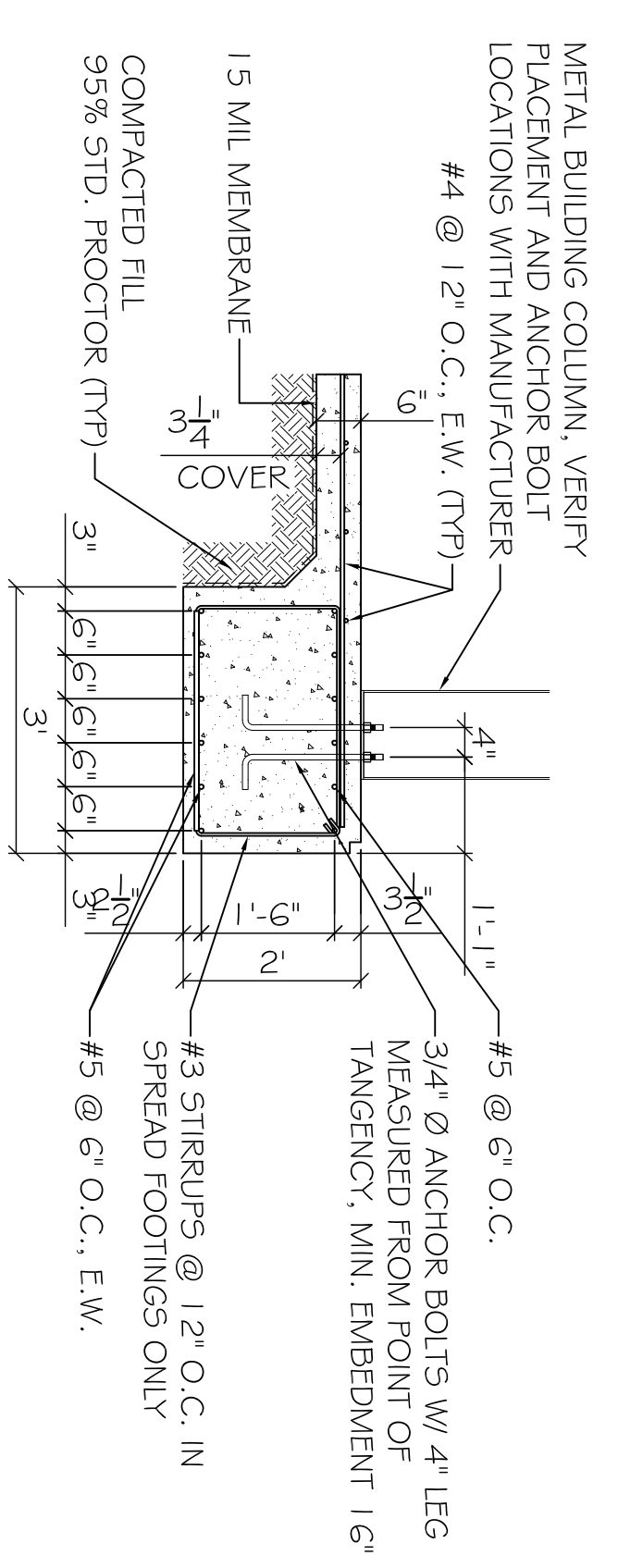
PLAIN CONCRETE BLOCK
 PROVIDE FLAIN CONCRETE BLOCK BAR SUPPORTS @
 48" O.C. FOR ALL REINFORCEMENT

SLAB:
 A - 3-1/4" (6" SLAB)
 B - 4"
 C - 4"

GRADE BEAMS:
 A - 2"
 B - 4"
 C - 4"

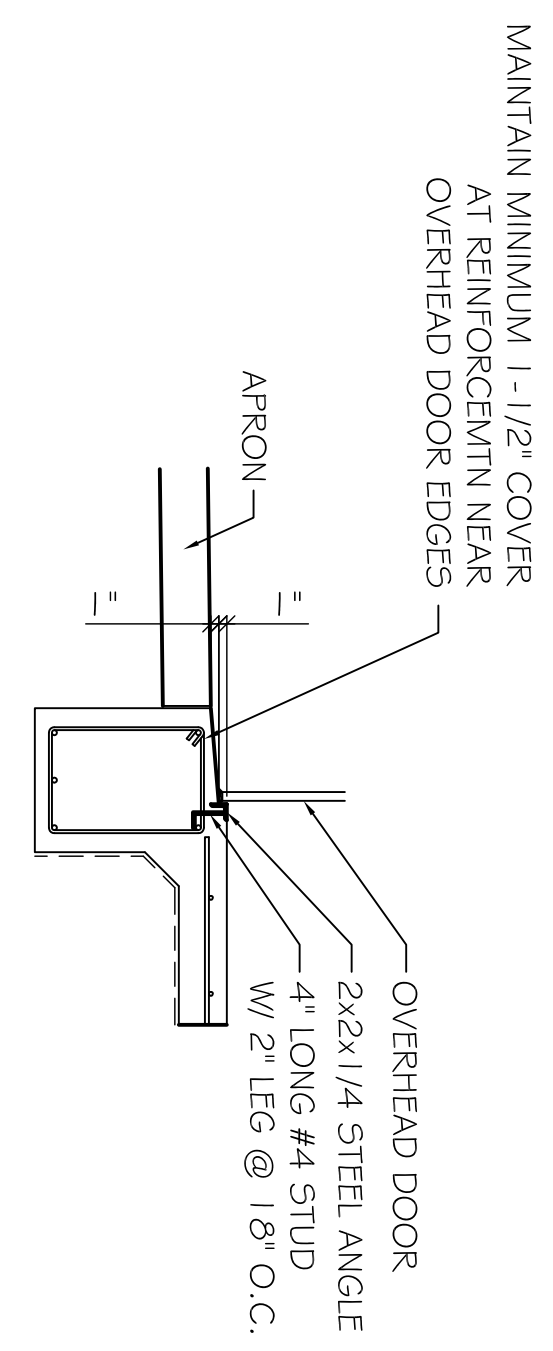
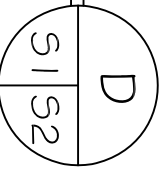
BAR SUPPORT DETAIL

N.T.S.



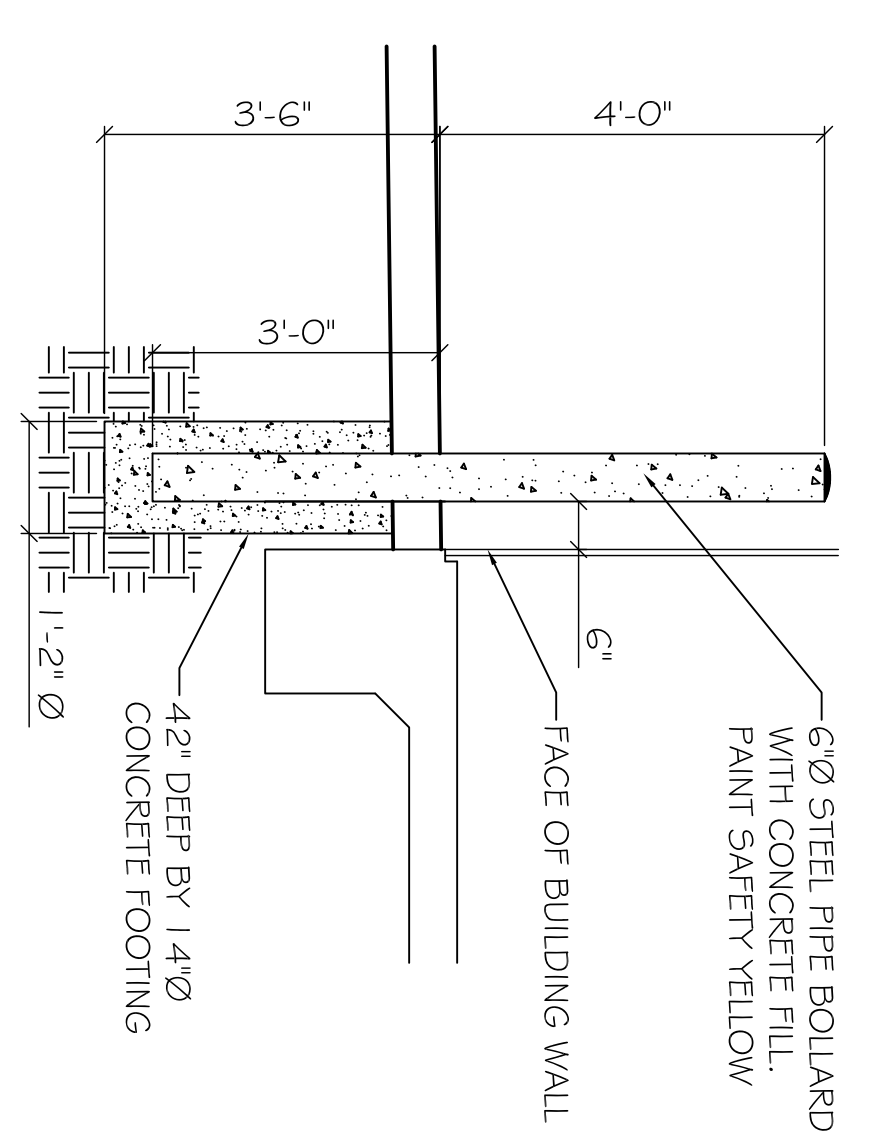
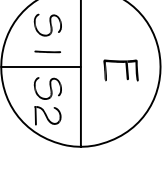
SECTION D

SCALE: 1/2" = 1'-0"



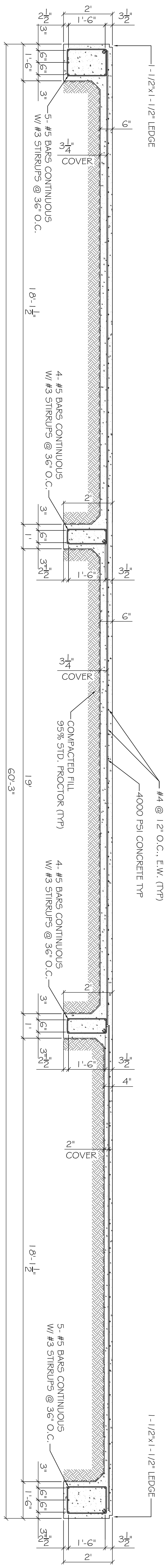
EDGE AT OH DOORS

SCALE: 1/2" = 1'-0"



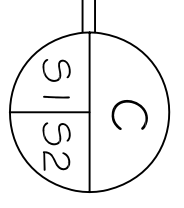
BOLLARD DETAIL

SCALE: 1/2" = 1'-0"



SECTION C

SCALE: 1/2" = 1'-0"



SECTION D

SCALE: 1/2" = 1'-0"



REVISIONS		DATE
#	DESCRIPTION	

U.S. FISH & WILDLIFE SERVICE
NEW EQUIPMENT STORAGE BLDG.
 UPPER OJACHITA NATIONAL WILDLIFE REFUGE
 BASTROP, LA

JOB No:	2151	DATE:	10/02/12
DRAWN BY:	BSN	CHECKED BY:	BSN

The above drawings and specifications, designs and materials represented hereby are and shall remain the property of Dammon Engineering, and no part thereof shall be copied, disclosed to others, used in connection with any work or project other than the specific project for which they have been prepared and developed without written consent of Dammon Engineering. Total contact with these drawings or specifications shall constitute conclusive evidence of acceptance of these restrictions.



DAMMON
ENGINEERING, INC.
Architects & Engineers

CHIEF ENGINEER: EMMETT DAMMON, P.E.
 CHIEF ARCHITECT: ROBERT WILTSE
 554 OLD SPANISH TRAIL
 SLIDELL, LA 70456

dammonengineering.com
 dammoneng@bellsouth.net
 PHONE: 985-649-5832
 FAX: 985-641-5990

100% DESIGN
 DRAWINGS
**FOUNDATION
 DETAILS**

SHEET No: 02 OF 05

S-2