

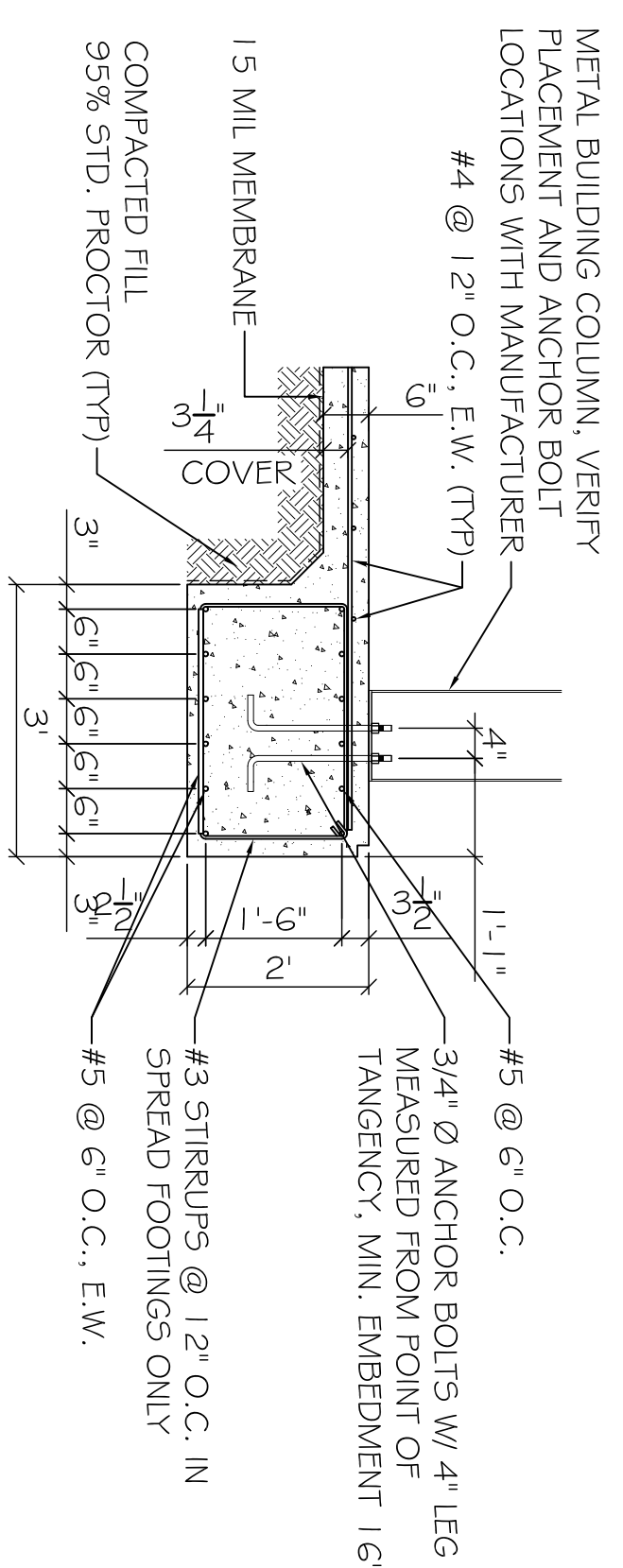
PLAIN CONCRETE BLOCK  
 PROVIDE FLAIN CONCRETE BLOCK BAR SUPPORTS @  
 48" O.C. FOR ALL REINFORCEMENT

SLAB:  
 A - 3-1/4" (6" SLAB)  
 B - 4"  
 C - 4"

GRADE BEAMS:  
 A - 2"  
 B - 4"  
 C - 4"

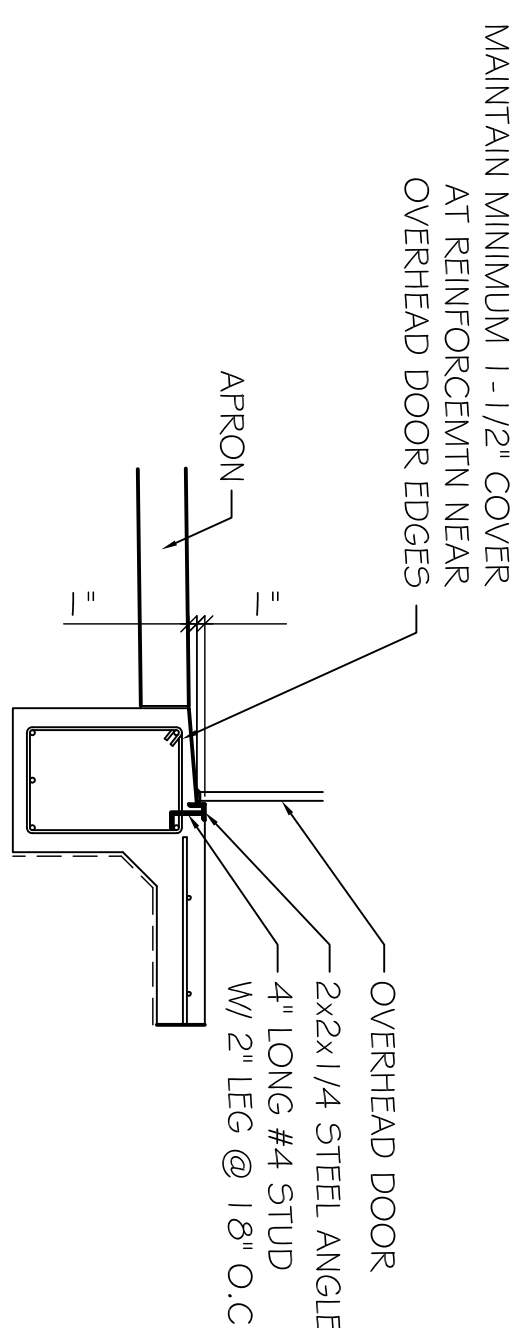
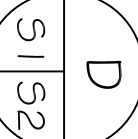
**BAR SUPPORT DETAIL**

N.T.S.



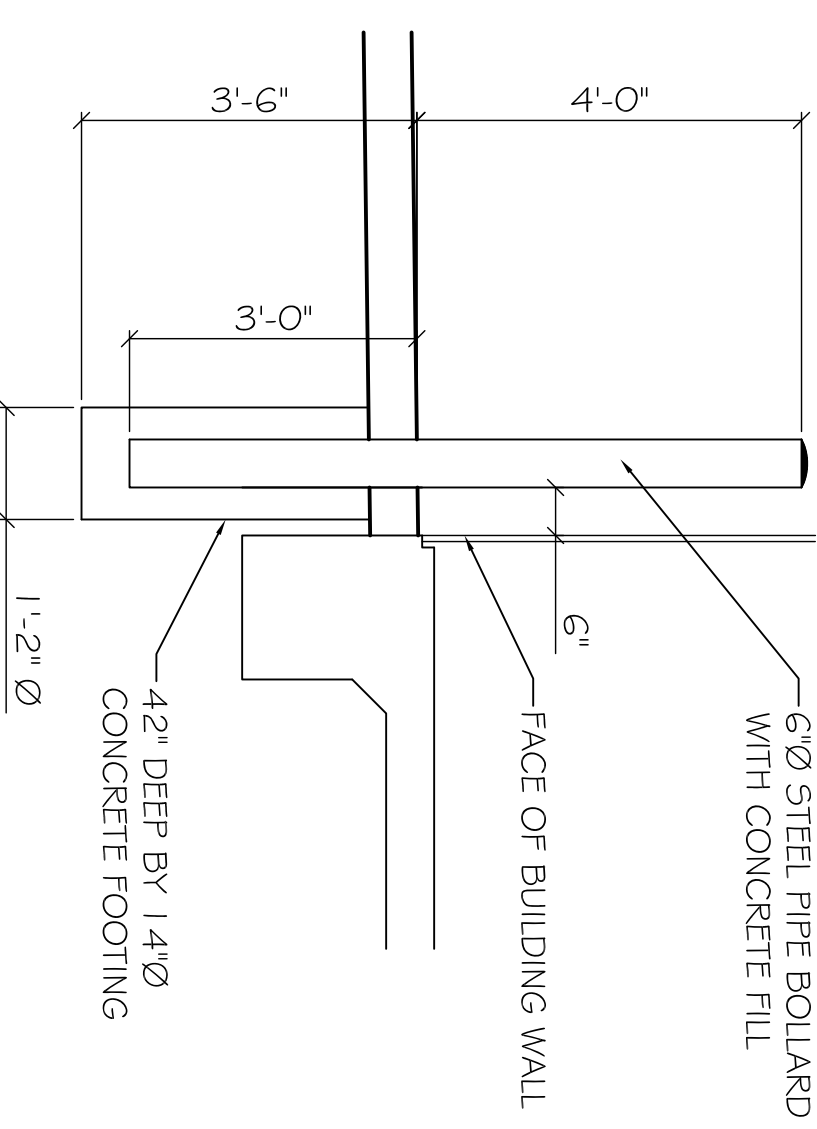
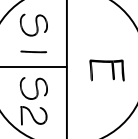
**SECTION**

SCALE: 1/2" = 1'-0"



**EDGE AT OH DOORS**

SCALE: 1/2" = 1'-0"

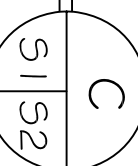


**BOLLARD DETAIL**

SCALE: 1/2" = 1'-0"

**SECTION**

SCALE: 1/2" = 1'-0"



**FOUNDATION  
 DETAILS**

SHEET No: 02 OF 05

**S-2**

**U.S. FISH & WILDLIFE SERVICE  
 NEW EQUIPMENT STORAGE BLDG.**  
 UPPER OUCHITA NATIONAL WILDLIFE REFUGE  
 BASTROP, LA

JOB No:	2151	DATE:	10/02/12
DRAWN BY:	BSN	CHECKED BY:	BSN

The above drawings and specifications, designs and  
 arrangements represented hereby are and shall  
 remain the property of Dammon Engineering, and no  
 part thereof shall be copied, disclosed to others, or  
 used in connection with any work or project other  
 than the specific project for which the same have been  
 prepared and developed without written consent of  
 Dammon Engineering. Total contact with these  
 drawings or specifications shall constitute conclusive  
 evidence of acceptance of these restrictions.



**DAMMON  
 ENGINEERING, INC.**  
*Architects & Engineers*

CHIEF ENGINEER, EMMETT DAMMON, P.E.  
 CHIEF ARCHITECT, ROBERT WILTSE  
 554 OLD SPANISH TRAIL  
 SLIDELL, LA 70456

dammonengineering.com  
 dammoneng@bellsouth.net  
 PHONE: 985-649-5832  
 FAX: 985-641-5990