



Standard Test Method for Splitting Tensile Strength of Cylindrical Concrete Specimens¹

This standard is issued under the fixed designation C496/C496M; the number immediately following the designation indicates the year of original adoption or, in the case of revision, the year of last revision. A number in parentheses indicates the year of last reappraisal. A superscript epsilon (ϵ) indicates an editorial change since the last revision or reappraisal.

This standard has been approved for use by agencies of the Department of Defense.

^{ε1} NOTE—Footnote 3 was reinserted editorially to correct a typo in December 2006.

1. Scope*

1.1 This test method covers the determination of the splitting tensile strength of cylindrical concrete specimens, such as molded cylinders and drilled cores.

1.2 The values stated in either inch-pound or SI units are to be regarded separately as standard. The SI units are shown in brackets. The values stated in each system may not be exact equivalents; therefore, each system shall be used independently of the other. Combining values from the two systems may result in nonconformance with the standard.

1.3 *This standard does not purport to address all of the safety concerns, if any, associated with its use. It is the responsibility of the user of this standard to establish appropriate safety and health practices and determine the applicability of regulatory limitations prior to use.*

1.4 The text of this standard references notes that provide explanatory material. These notes shall not be considered as requirements of the standard.

2. Referenced Documents

2.1 ASTM Standards:²

C31/C31M Practice for Making and Curing Concrete Test Specimens in the Field

C39/C39M Test Method for Compressive Strength of Cylindrical Concrete Specimens

C42/C42M Test Method for Obtaining and Testing Drilled Cores and Sawed Beams of Concrete

C192/C192M Practice for Making and Curing Concrete Test Specimens in the Laboratory

¹ This test method is under the jurisdiction of ASTM Committee C09 on Concrete and Concrete Aggregates and is the direct responsibility of Subcommittee C09.61 on Testing for Strength.

Current edition approved Feb. 1, 2004. Published March 2004. Originally approved in 1962. Last previous edition approved in 1996 as C496 – 96. DOI: 10.1520/C0496_C0496M-04E01.

² For referenced ASTM standards, visit the ASTM website, www.astm.org, or contact ASTM Customer Service at service@astm.org. For *Annual Book of ASTM Standards* volume information, refer to the standard's Document Summary page on the ASTM website.

C670 Practice for Preparing Precision and Bias Statements for Test Methods for Construction Materials

3. Summary of Test Method

3.1 This test method consists of applying a diametral compressive force along the length of a cylindrical concrete specimen at a rate that is within a prescribed range until failure occurs. This loading induces tensile stresses on the plane containing the applied load and relatively high compressive stresses in the area immediately around the applied load. Tensile failure occurs rather than compressive failure because the areas of load application are in a state of triaxial compression, thereby allowing them to withstand much higher compressive stresses than would be indicated by a uniaxial compressive strength test result.

3.2 Thin, plywood bearing strips are used to distribute the load applied along the length of the cylinder.

3.3 The maximum load sustained by the specimen is divided by appropriate geometrical factors to obtain the splitting tensile strength.

4. Significance and Use

4.1 Splitting tensile strength is generally greater than direct tensile strength and lower than flexural strength (modulus of rupture).

4.2 Splitting tensile strength is used in the design of structural lightweight concrete members to evaluate the shear resistance provided by concrete and to determine the development length of reinforcement.

5. Apparatus

5.1 *Testing Machine*—The testing machine shall conform to the requirements of Test Method **C39/C39M** and be of a type with sufficient capacity that will provide the rate of loading prescribed in **7.5**.

5.2 *Supplementary Bearing Bar or Plate*—If the diameter or the largest dimension of the upper bearing face or the lower bearing block is less than the length of the cylinder to be tested, a supplementary bearing bar or plate of machined steel shall be

*A Summary of Changes section appears at the end of this standard.

used. The surfaces of the bar or plate shall be machined to within ± 0.001 in. [0.025 mm] of planeness, as measured on any line of contact of the bearing area. It shall have a width of at least 2 in. [50 mm], and a thickness not less than the distance from the edge of the spherical or rectangular bearing block to the end of the cylinder. The bar or plate shall be used in such manner that the load will be applied over the entire length of the specimen.

5.3 *Bearing Strips*—Two bearing strips of nominal $\frac{1}{8}$ in. [3.2 mm] thick plywood, free of imperfections, approximately 1 in. [25 mm] wide, and of a length equal to, or slightly longer than, that of the specimen shall be provided for each specimen. The bearing strips shall be placed between the specimen and both the upper and lower bearing blocks of the testing machine or between the specimen and supplemental bars or plates, when used (see 5.2). Bearing strips shall not be reused.

6. Test Specimens

6.1 The test specimens shall conform to the size, molding, and curing requirements set forth in either Practice C31/C31M (field specimens) or Practice C192/C192M (laboratory specimens). Drilled cores shall conform to the size and moisture-conditioning requirements set forth in Test Method C42/C42M. Moist-cured specimens, during the period between their removal from the curing environment and testing, shall be kept moist by a wet burlap or blanket covering, and shall be tested in a moist condition as soon as practicable.

6.2 The following curing procedure shall be used for evaluations of light-weight concrete: specimens tested at 28 days shall be in an air-dry condition after 7 days moist curing followed by 21 days drying at $73.5 \pm 3.5^\circ\text{F}$ [$23.0 \pm 2.0^\circ\text{C}$] and $50 \pm 5\%$ relative humidity.

7. Procedure

7.1 *Marking*—Draw diametral lines on each end of the specimen using a suitable device that will ensure that they are in the same axial plane (see Fig. 1, Fig. 2 and Note 1), or as an alternative, use the aligning jig shown in Fig. 3 (Note 2).

NOTE 1—Figs. 1 and 2 show a suitable device for drawing diametral lines on each end of a 6 in. by 12 in. [150 mm by 300 mm] cylinder in the same axial plane. The device consists of three parts as follows:

(1) A length of 4-in. [100-mm] steel channel, the flanges of which have been machined flat,

(2) A section, part a, that is grooved to fit smoothly over the flanges of the channel and that includes cap screws for positioning the vertical member of the assembly, and

(3) A vertical bar, part b, for guiding a pencil or marker,

The assembly (part a and part b) is not fastened to the channel and is positioned at either end of the cylinder without disturbing the position of the specimen when marking the diametral lines.

NOTE 2—Fig. 4 is a detailed drawing of the aligning jig shown in Fig. 3 for achieving the same purpose as marking the diametral lines. The device consists of:

(1) A base for holding the lower bearing strip and cylinder,

(2) A supplementary bearing bar conforming to the requirements in Section 5 as to critical dimensions and planeness, and

(3) Two uprights to serve for positioning the test cylinder, bearing strips, and supplementary bearing bar.

7.2 *Measurements*—Determine the diameter of the test specimen to the nearest 0.01 in. [0.25 mm] by averaging three diameters measured near the ends and the middle of the specimen and lying in the plane containing the lines marked on the two ends. Determine the length of the specimen to the nearest 0.1 in. [2 mm] by averaging at least two length measurements taken in the plane containing the lines marked on the two ends.

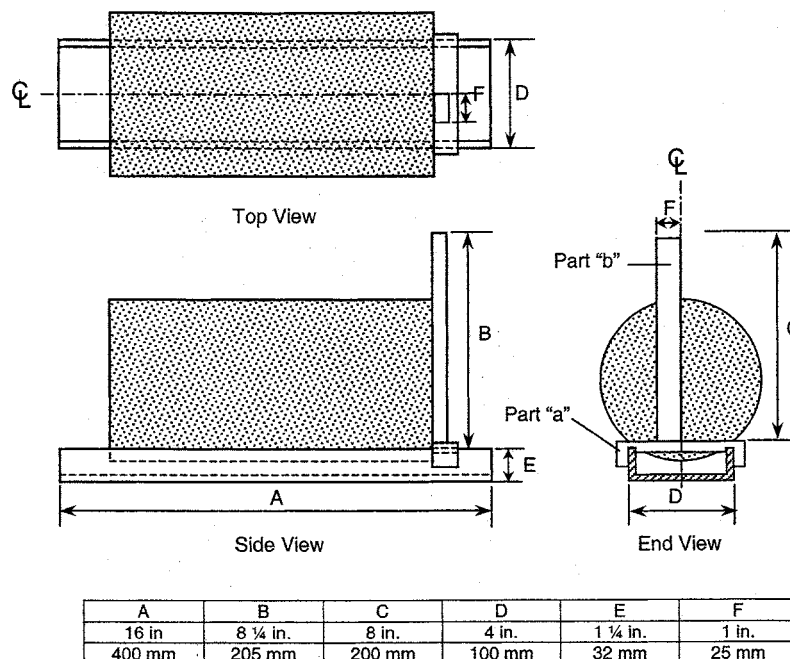


FIG. 1 General Views of a Suitable Apparatus for Marking End Diameters Used for Alignment of Specimen in Testing Machine

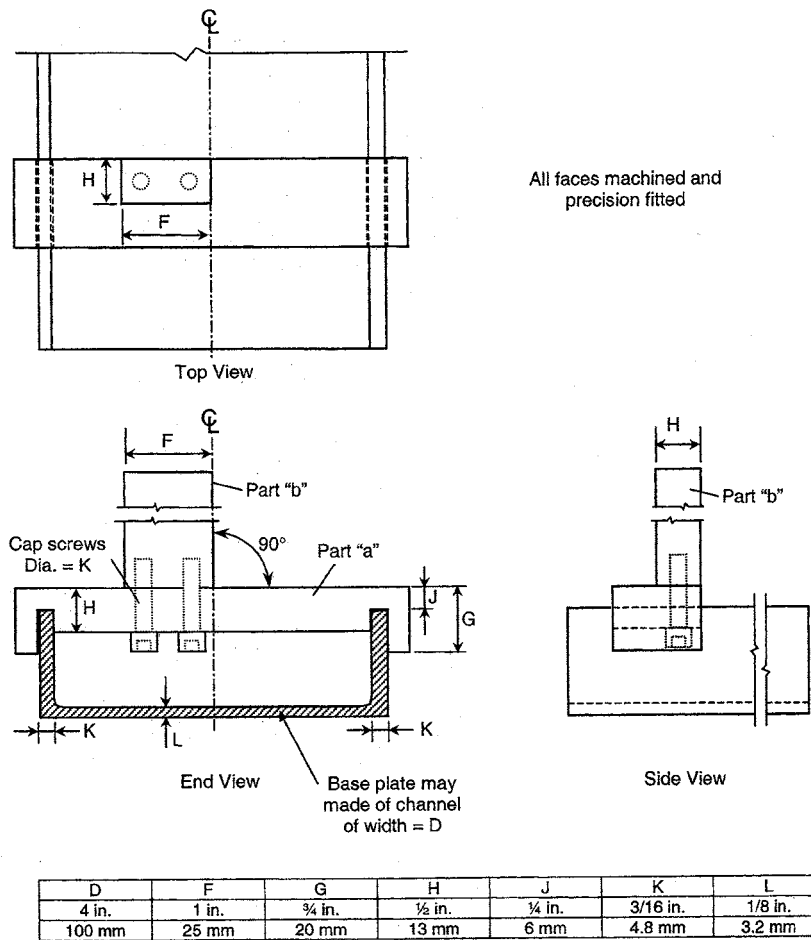


FIG. 2 Detailed Plans for a Suitable Apparatus for Marking End Diameters Used for Aligning the Specimen

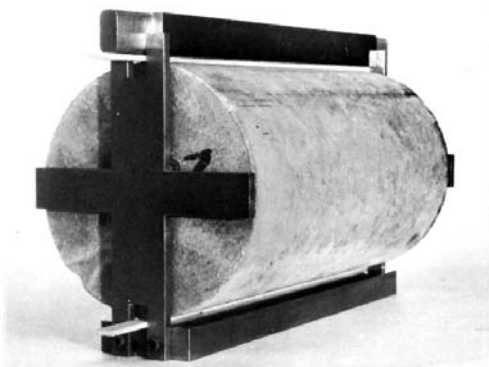


FIG. 3 Jig for Aligning Concrete Cylinder and Bearing Strips

7.3 Positioning Using Marked Diametral Lines—Center one of the plywood strips along the center of the lower bearing block. Place the specimen on the plywood strip and align so that the lines marked on the ends of the specimen are vertical and centered over the plywood strip. Place a second plywood strip lengthwise on the cylinder, centered on the lines marked on the ends of the cylinder. Position the assembly to ensure the following conditions:

7.3.1 The projection of the plane of the two lines marked on the ends of the specimen intersects the center of the upper bearing plate, and

7.3.2 The supplementary bearing bar or plate, when used, and the center of the specimen are directly beneath the center of thrust of the spherical bearing block (see Fig. 5).

7.4 Positioning by Use of Aligning Jig—Position the bearing strips, test cylinder, and supplementary bearing bar by means of the aligning jig as illustrated in Fig. 3 and center the jig so that the supplementary bearing bar and the center of the specimen are directly beneath the center of thrust of the spherical bearing block.

7.5 Rate of Loading—Apply the load continuously and without shock, at a constant rate within the range 100 to 200 psi/min [0.7 to 1.4 MPa/min] splitting tensile stress until failure of the specimen (Note 3). Record the maximum applied load indicated by the testing machine at failure. Note the type of failure and the appearance of the concrete.

NOTE 3—The relationship between splitting tensile stress and applied load is shown in Section 8. The required loading range in splitting tensile stress corresponds to applied total load in the range of 11 300 to 22 600 lbf [50 to 100 kN]/min for 6 by 12-in. [150 by 300-mm] cylinders.

9. Report

9.1 Report the following information:

9.1.1 Identification number,

9.1.2 Diameter and length, in. [mm],

9.1.3 Maximum load, lbf [N],

9.1.4 Splitting tensile strength calculated to the nearest 5 psi [0.05 MPa],

9.1.5 Estimated proportion of coarse aggregate fractured during test,

9.1.6 Age of specimen,

9.1.7 Curing history,

9.1.8 Defects in specimen,

9.1.9 Type of fracture, and

9.1.10 Type of specimen.

10. Precision and Bias

10.1 *Precision*—An interlaboratory study of this test method has not been performed. Available research data,³

³ Wright, P. J. F., “Comments on an Indirect Tensile Test on Concrete Cylinders,” Magazine of Concrete Research, Vol 7, No. 20, July 1955, pp. 87–95.

however, suggests that the within batch coefficient of variation is 5 % (see **Note 4**) for 6×12 -in. [150×300 -mm] cylindrical specimens with an average splitting tensile strength of 405 psi [2.8 MPa]. Results of two properly conducted tests on the same material, therefore, should not differ by more than 14 % (see **Note 4**) of their average for splitting tensile strengths of about 400 psi [2.8 MPa].

NOTE 4—These numbers represent, respectively, the (1s %) and (d2s %) limits as defined in Practice **C670**.

10.2 *Bias*—The test method has no bias because the splitting tensile strength can be defined only in terms of this test method.

11. Keywords

11.1 cylindrical concrete specimens; splitting tension; tensile strength

SUMMARY OF CHANGES

Committee C09 has identified the location of selected changes to this test method since the last issue, C496 – 96, that may impact the use of this test method. (Approved February 1, 2004)

(1) Revised 1.2.

(2) Added 1.4.

(3) Revised 5.1, 6.1, Section 2, and Note 1 to correct references.

(4) Revised 5.2, 6.2, 7.2, 7.5, 10.1, and Note 4 by metrication rules.

(5) Revised Section 4.

(6) Revised 3.2 and 5.3.

(7) Revised Note 2.

(8) Figs. 1, 2, and 4 were revised and redrawn.

ASTM International takes no position respecting the validity of any patent rights asserted in connection with any item mentioned in this standard. Users of this standard are expressly advised that determination of the validity of any such patent rights, and the risk of infringement of such rights, are entirely their own responsibility.

This standard is subject to revision at any time by the responsible technical committee and must be reviewed every five years and if not revised, either reapproved or withdrawn. Your comments are invited either for revision of this standard or for additional standards and should be addressed to ASTM International Headquarters. Your comments will receive careful consideration at a meeting of the responsible technical committee, which you may attend. If you feel that your comments have not received a fair hearing you should make your views known to the ASTM Committee on Standards, at the address shown below.

This standard is copyrighted by ASTM International, 100 Barr Harbor Drive, PO Box C700, West Conshohocken, PA 19428-2959, United States. Individual reprints (single or multiple copies) of this standard may be obtained by contacting ASTM at the above address or at 610-832-9585 (phone), 610-832-9555 (fax), or service@astm.org (e-mail); or through the ASTM website (www.astm.org).