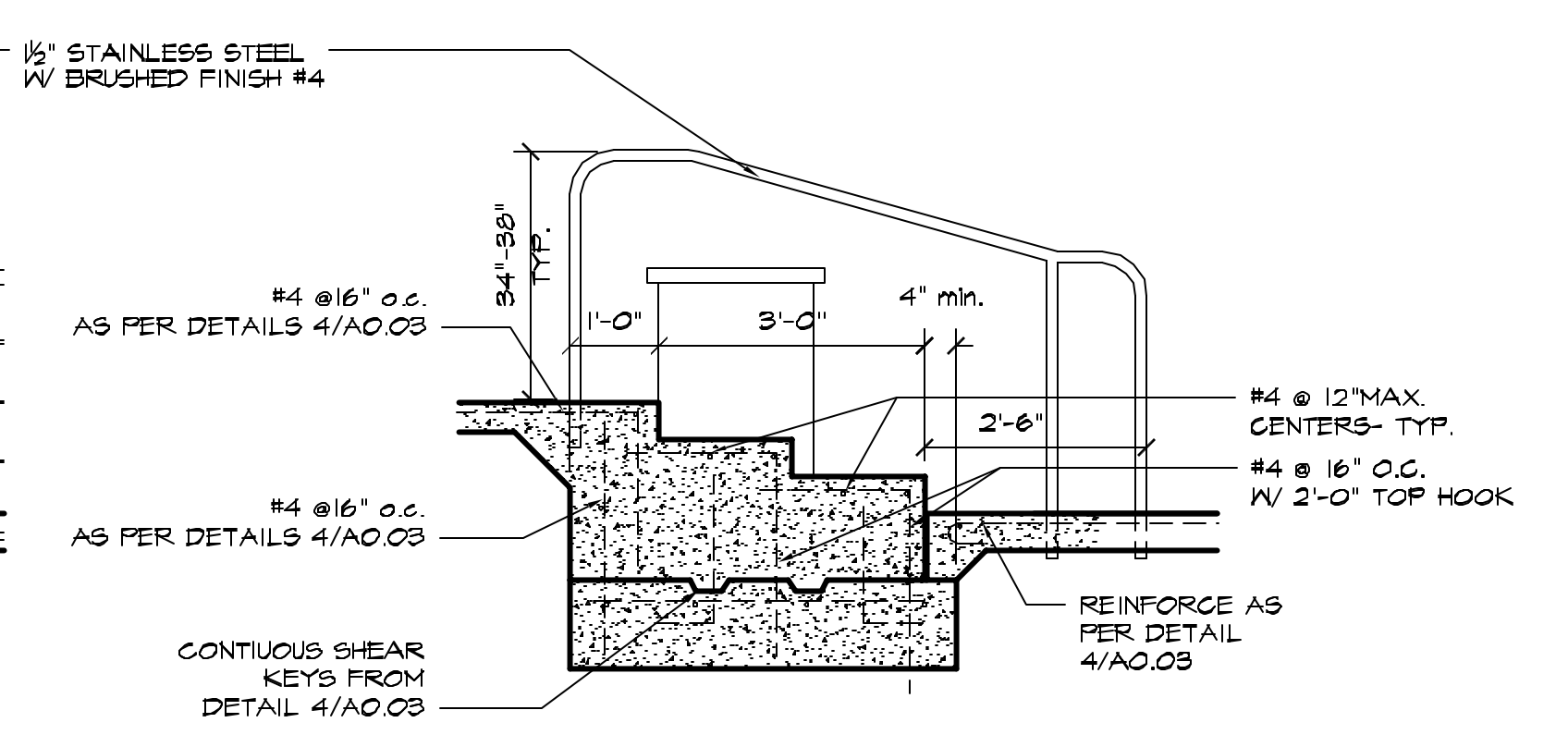
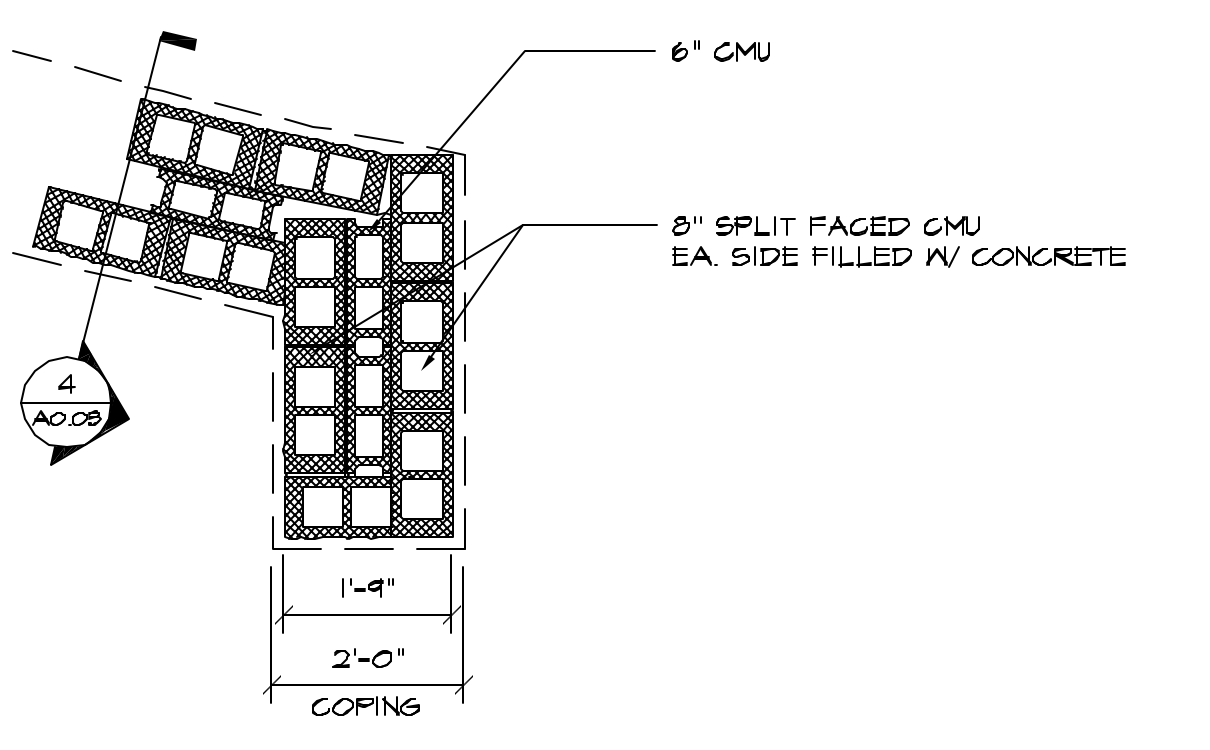


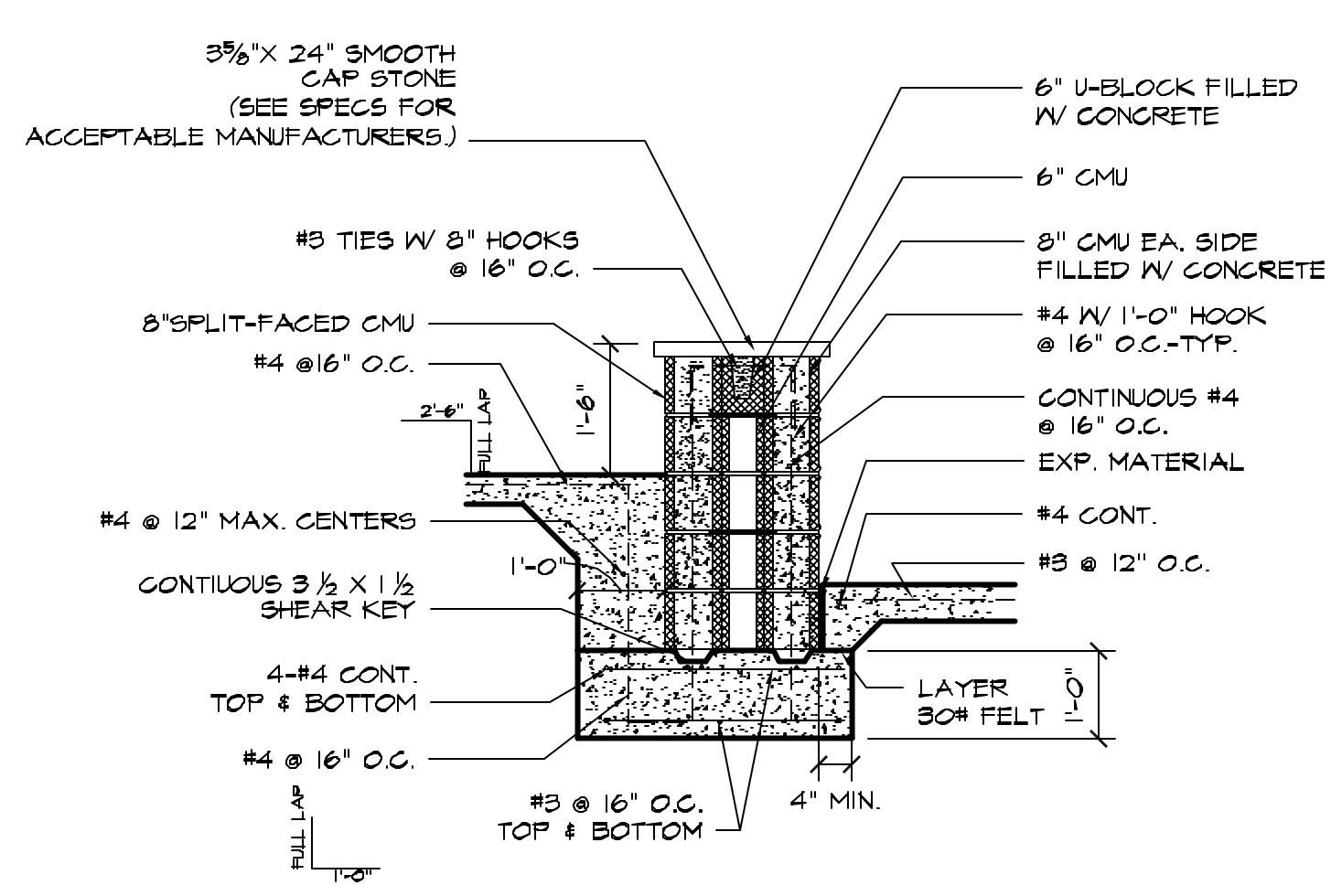
1 HANDICAP RAMP SECTION
A0.03 SCALE 1/2"=1'-0"



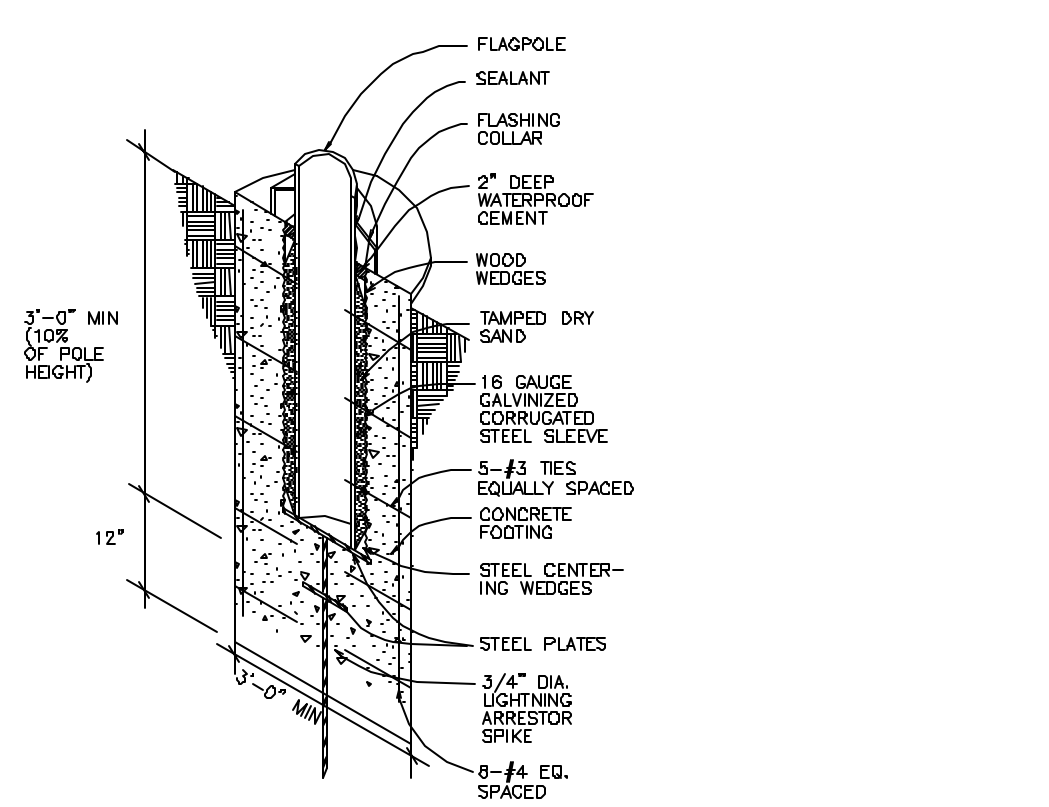
2 PLAZA STAIR SECTION
A0.03 SCALE 1/2"=1'-0"



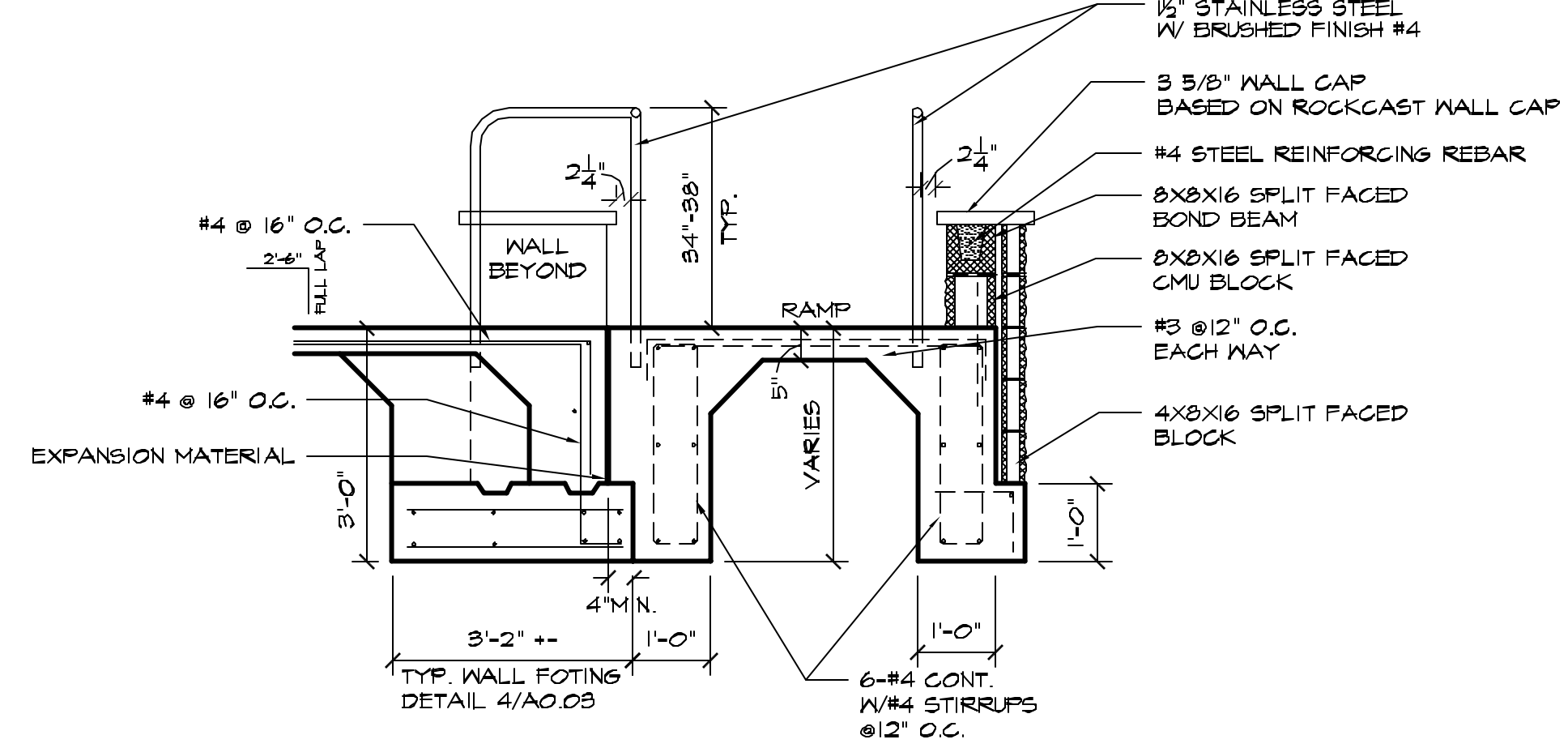
3 PLAZA SEAT WALL PLAN DETAIL
A0.03 SCALE 1/2"=1'-0"



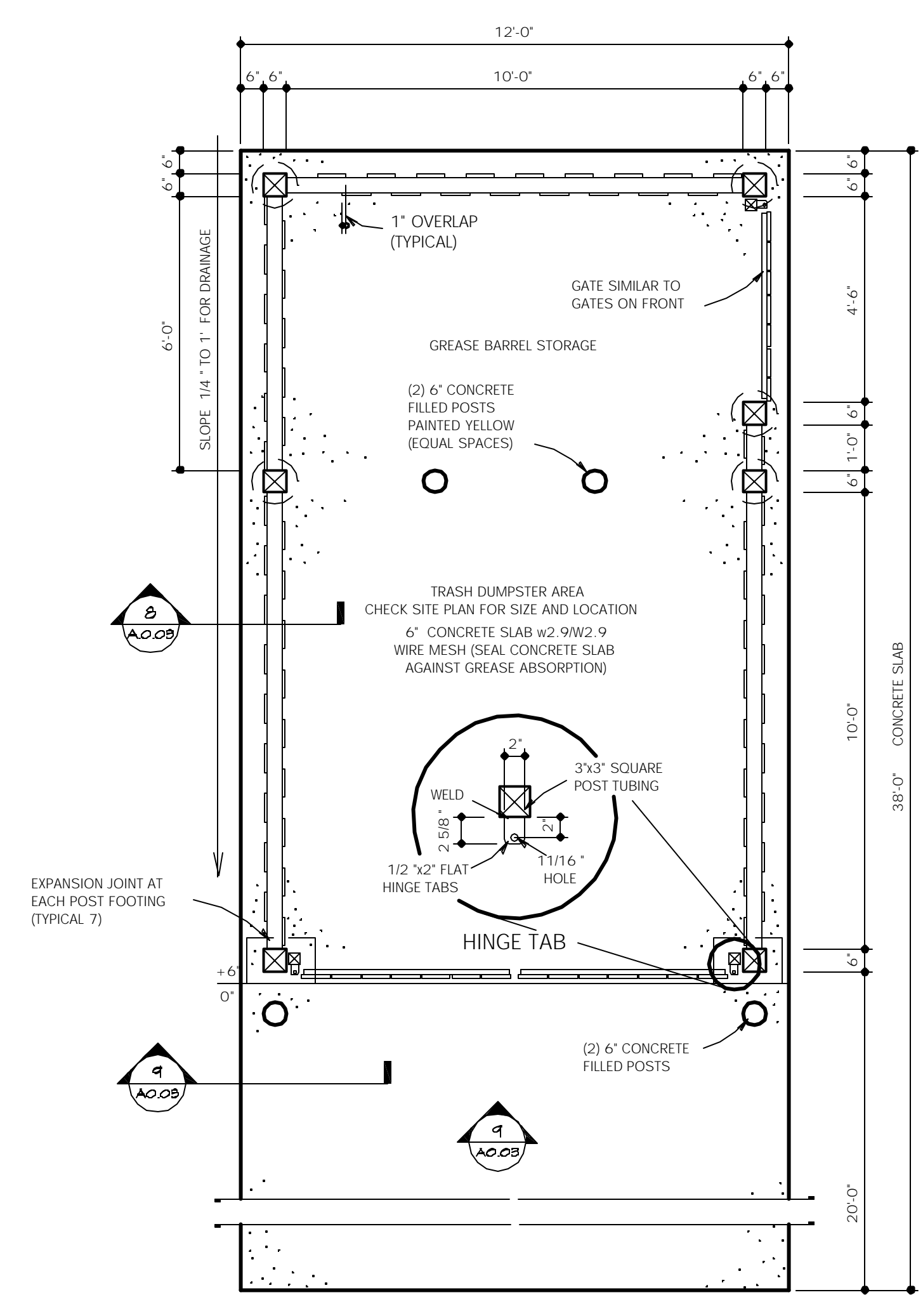
4 PLAZA SEAT WALL PLAN SECTION
A0.03 SCALE 1/2"=1'-0"



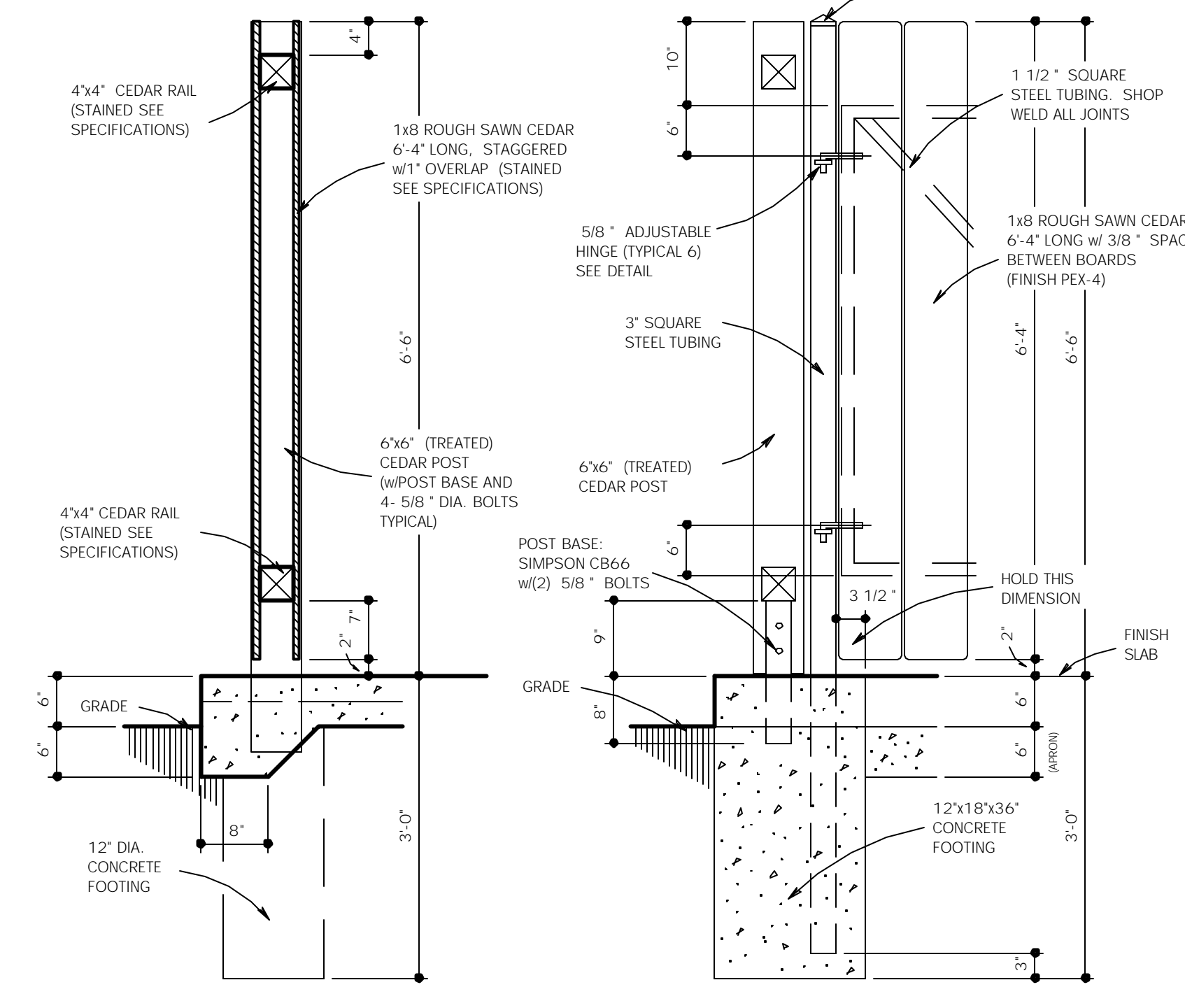
5 FLAG POLE FOUNDATION DESIGN
A0.03 SCALE 1/2"=1'-0"



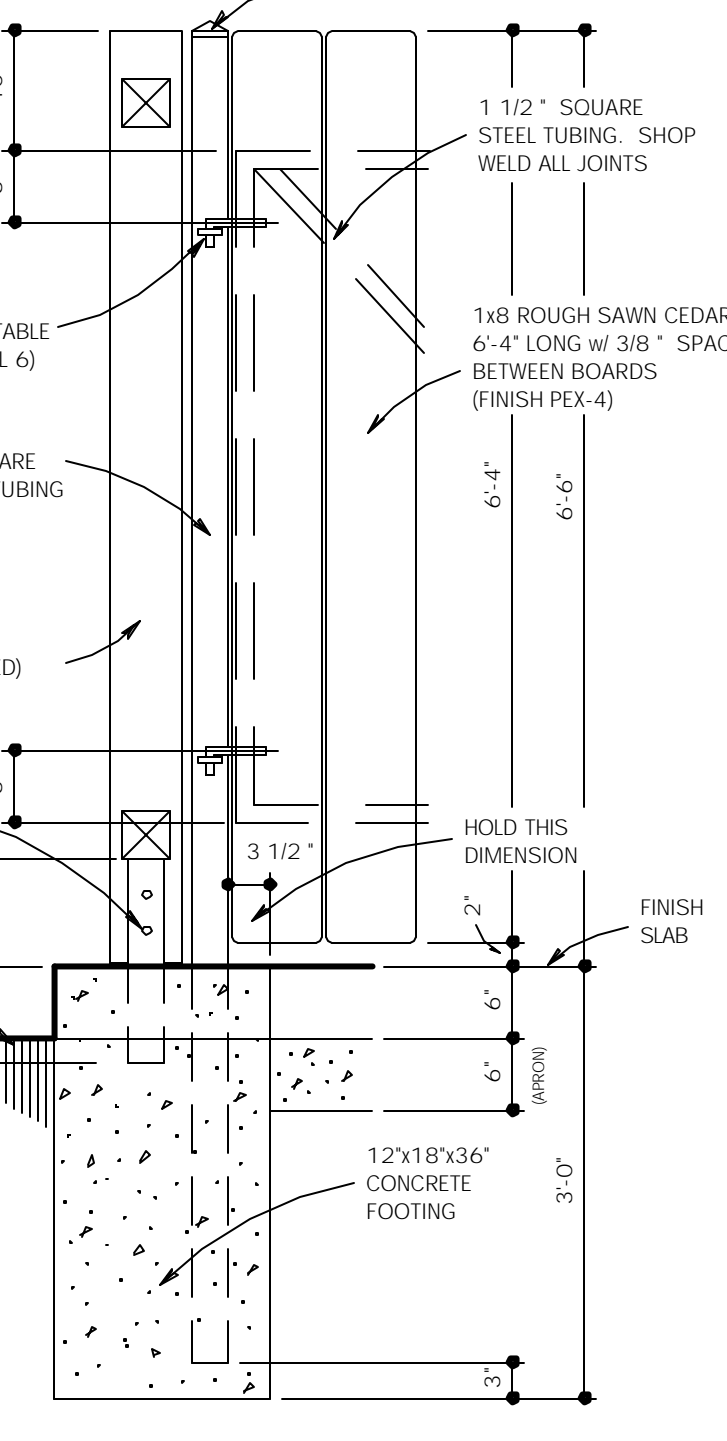
6 HANDICAP RAMP SECTION
A0.03 SCALE 1/2"=1'-0"



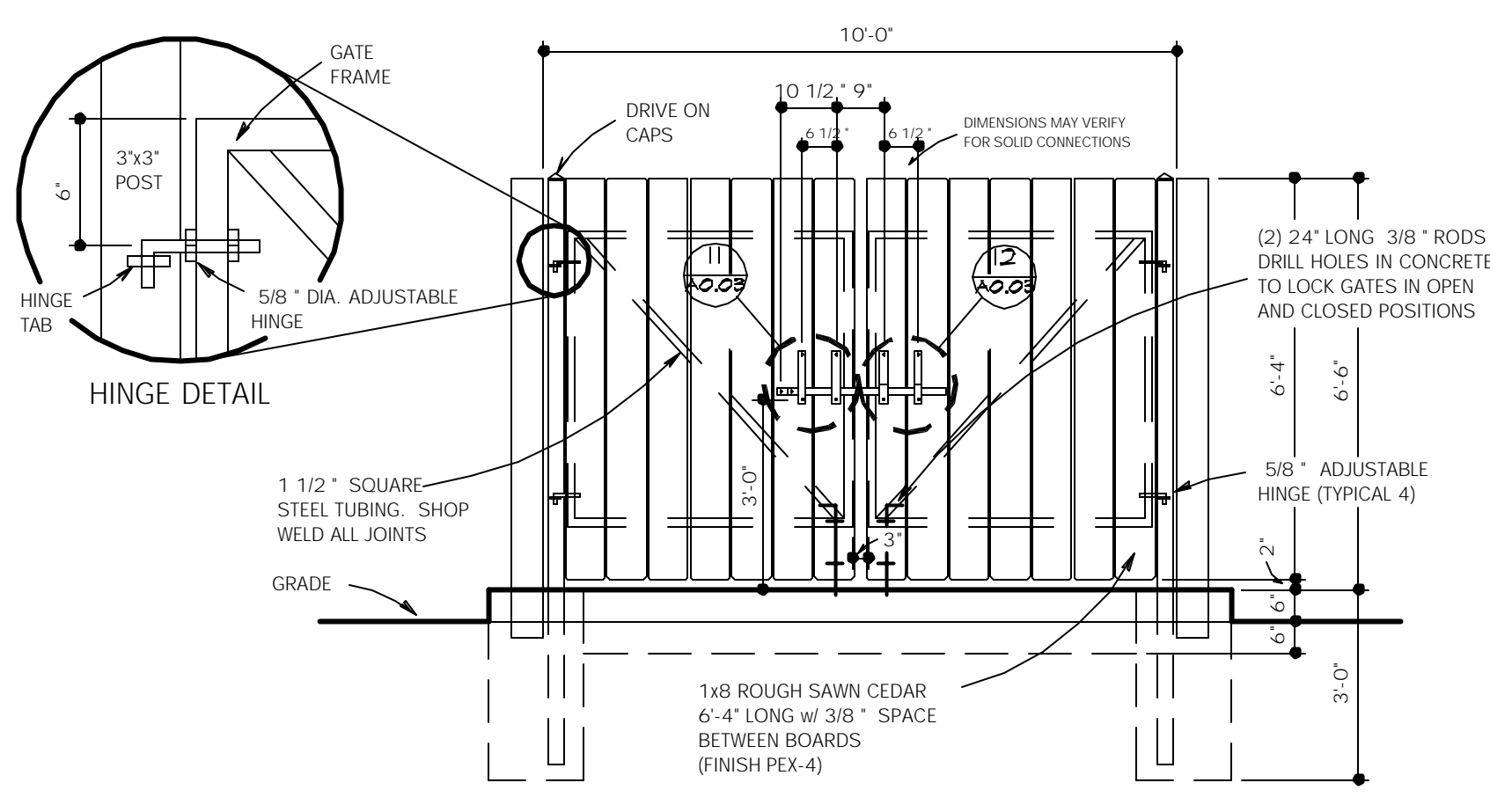
7 TRASH ENCLOSURE PLAN
A0.03 SCALE 3/8"=1'-0"



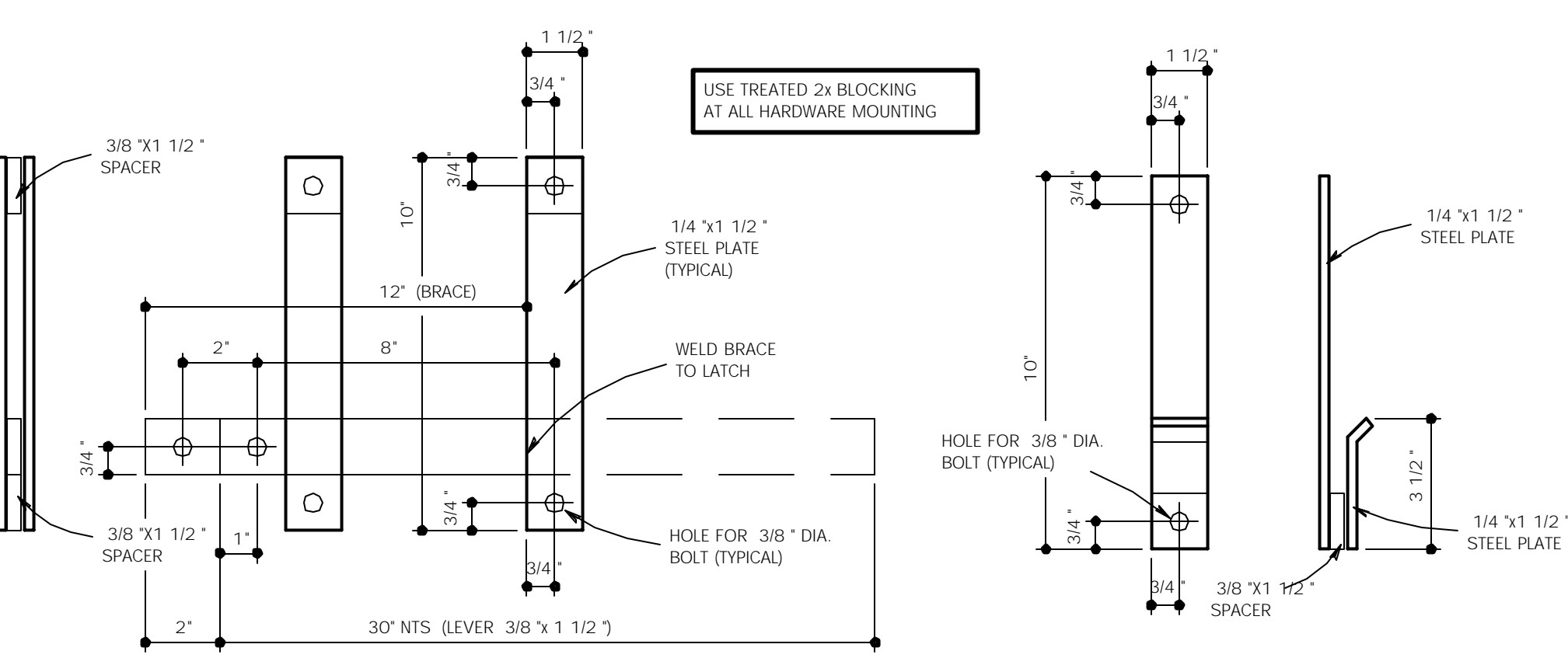
8 TRASH ENCLOSURE SECTION
A0.03 SCALE 3/4"=1'-0"



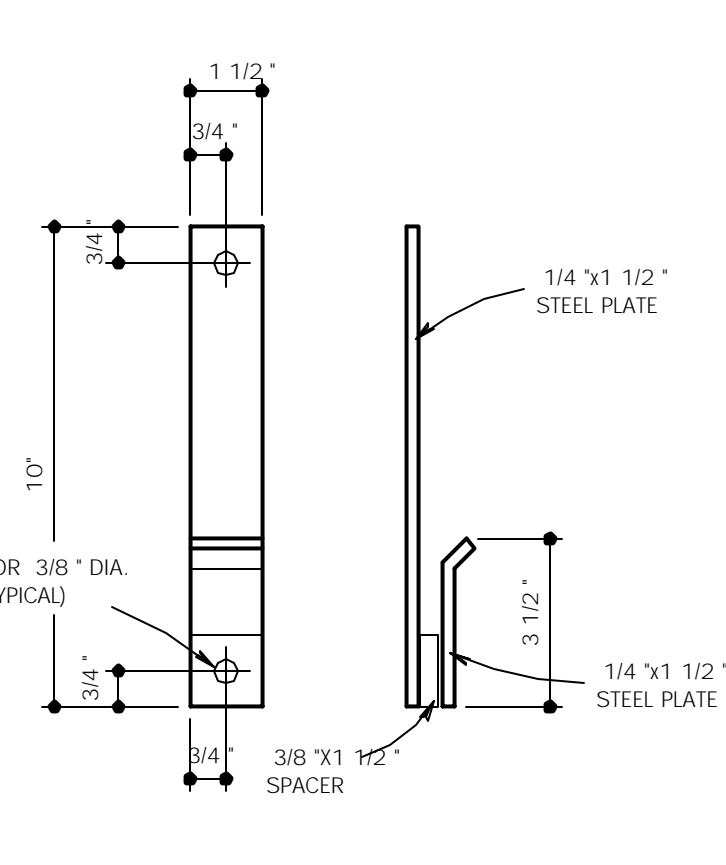
9 GATE DETAIL
A0.03 SCALE 3/4"=1'-0"



10 TYP. FRONT ELEVATION
A0.03 SCALE 3/8"=1'-0"



11 GATE LATCH DETAIL
A0.03 SCALE 3"=1'-0"



12 GATE LATCH DETAIL
A0.03 SCALE 3"=1'-0"

