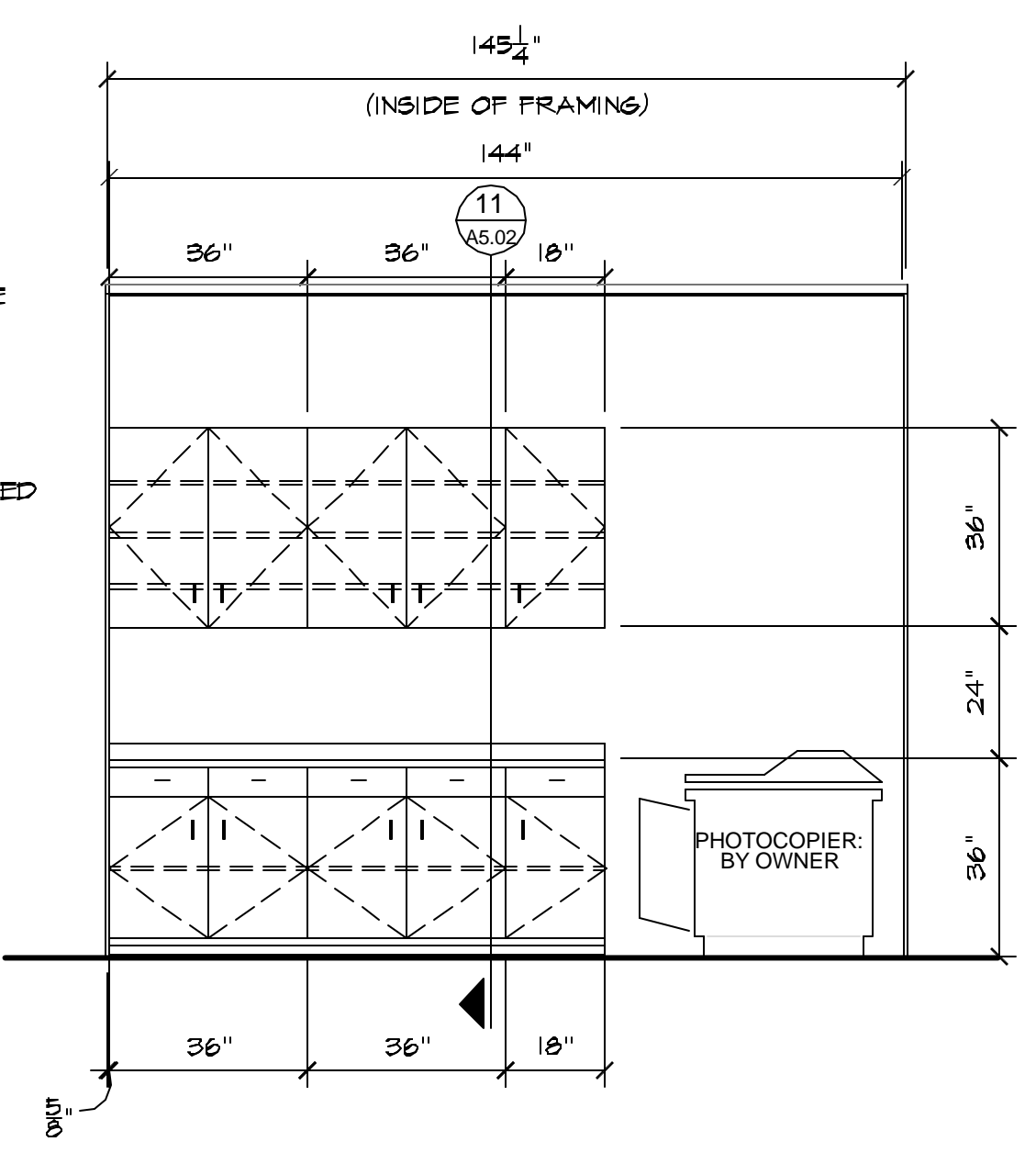
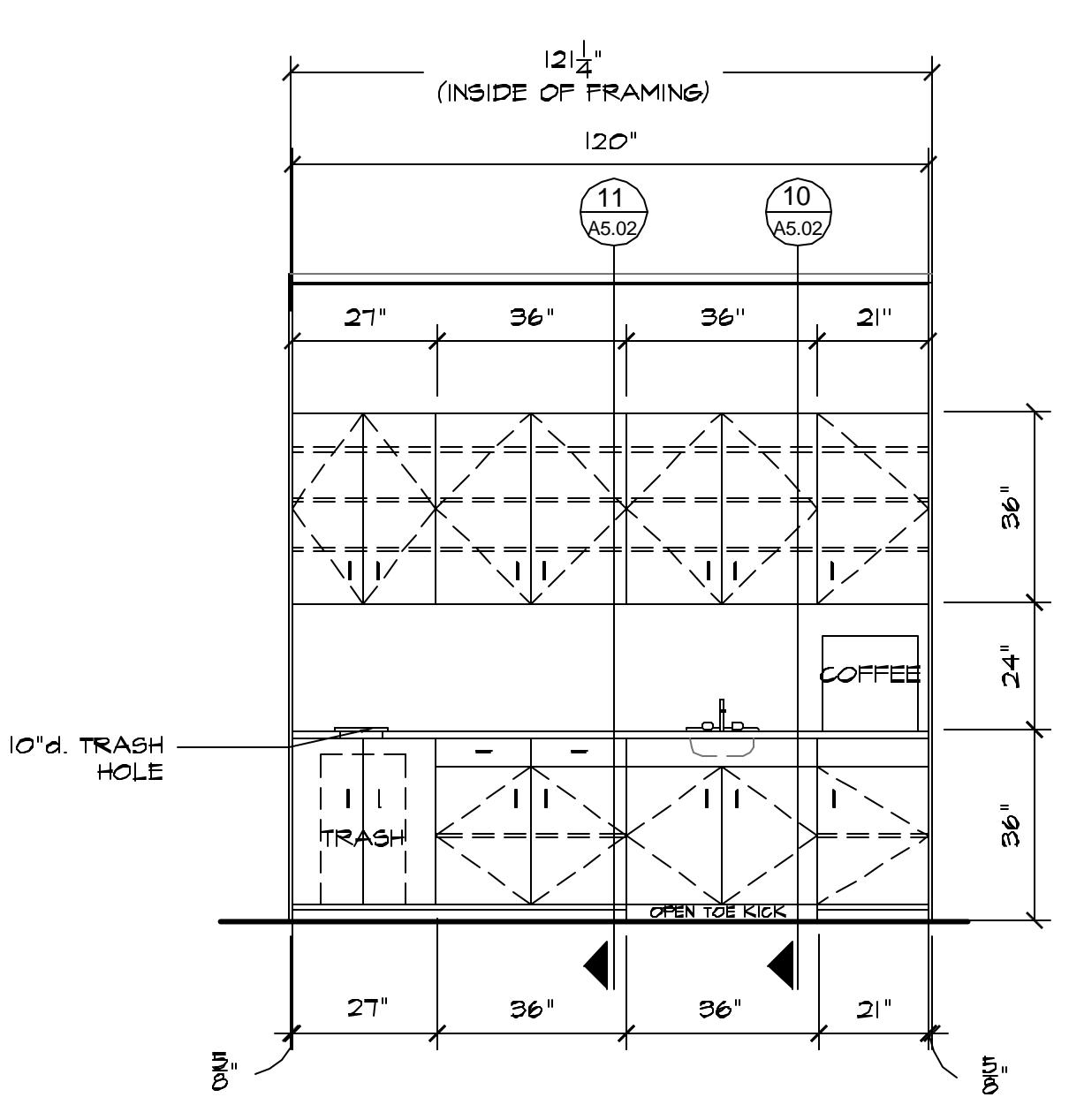


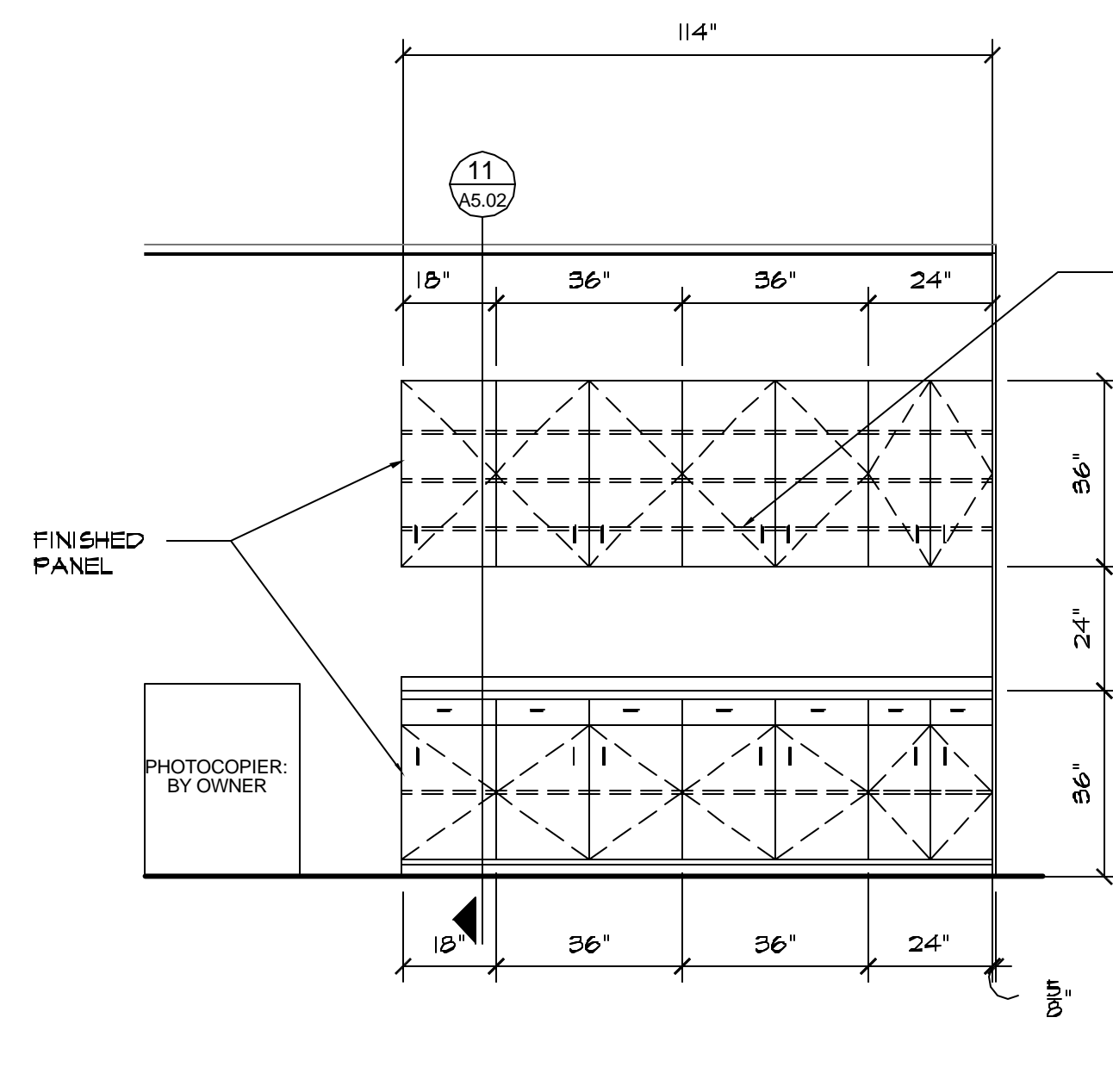
1 Coffee Bar Elevation- Rm. 106
A5.00 / 3/8\"/>



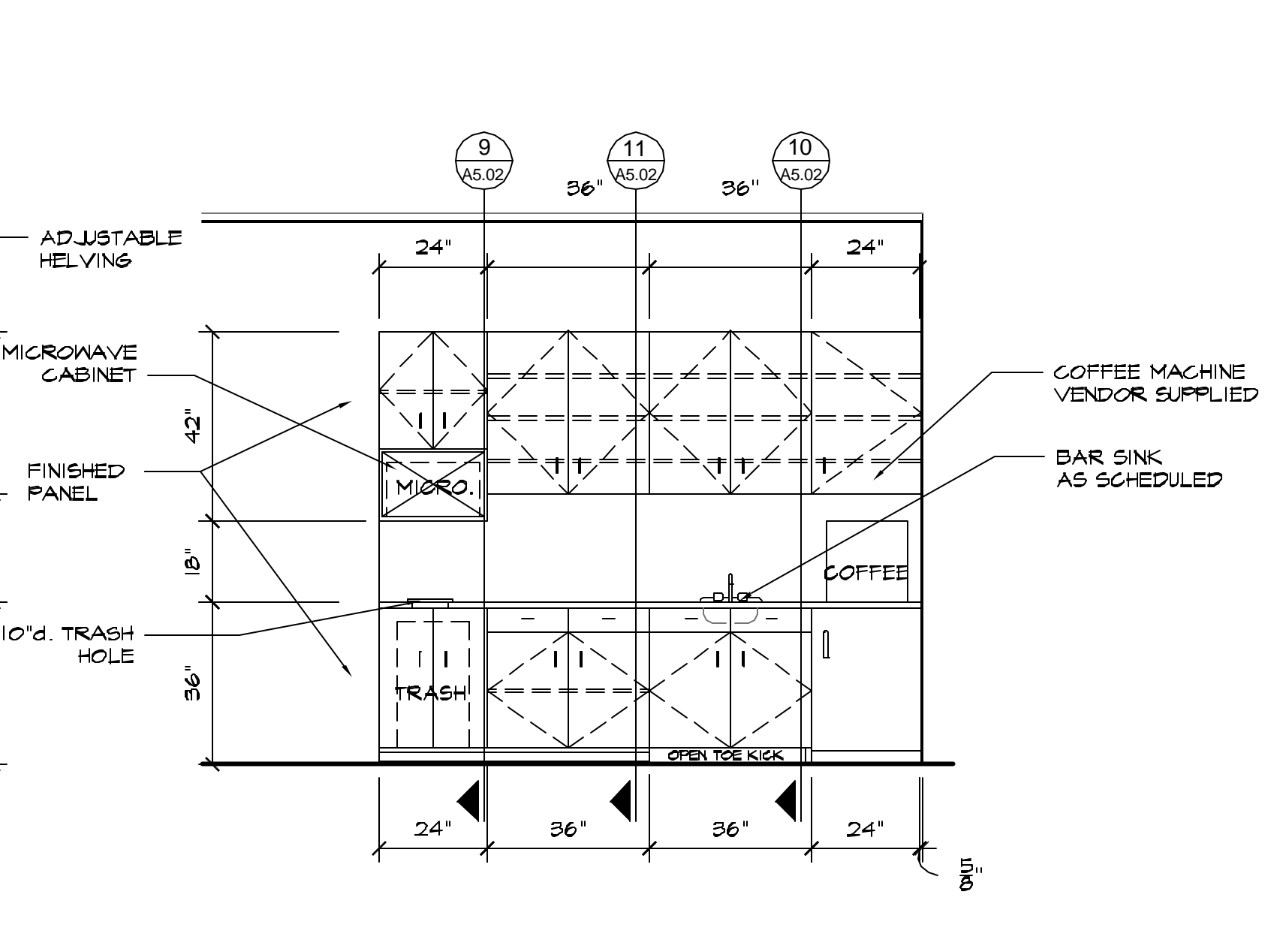
2 Copy Supply Room- Rm. 120
A5.00 / 3/8\"/>



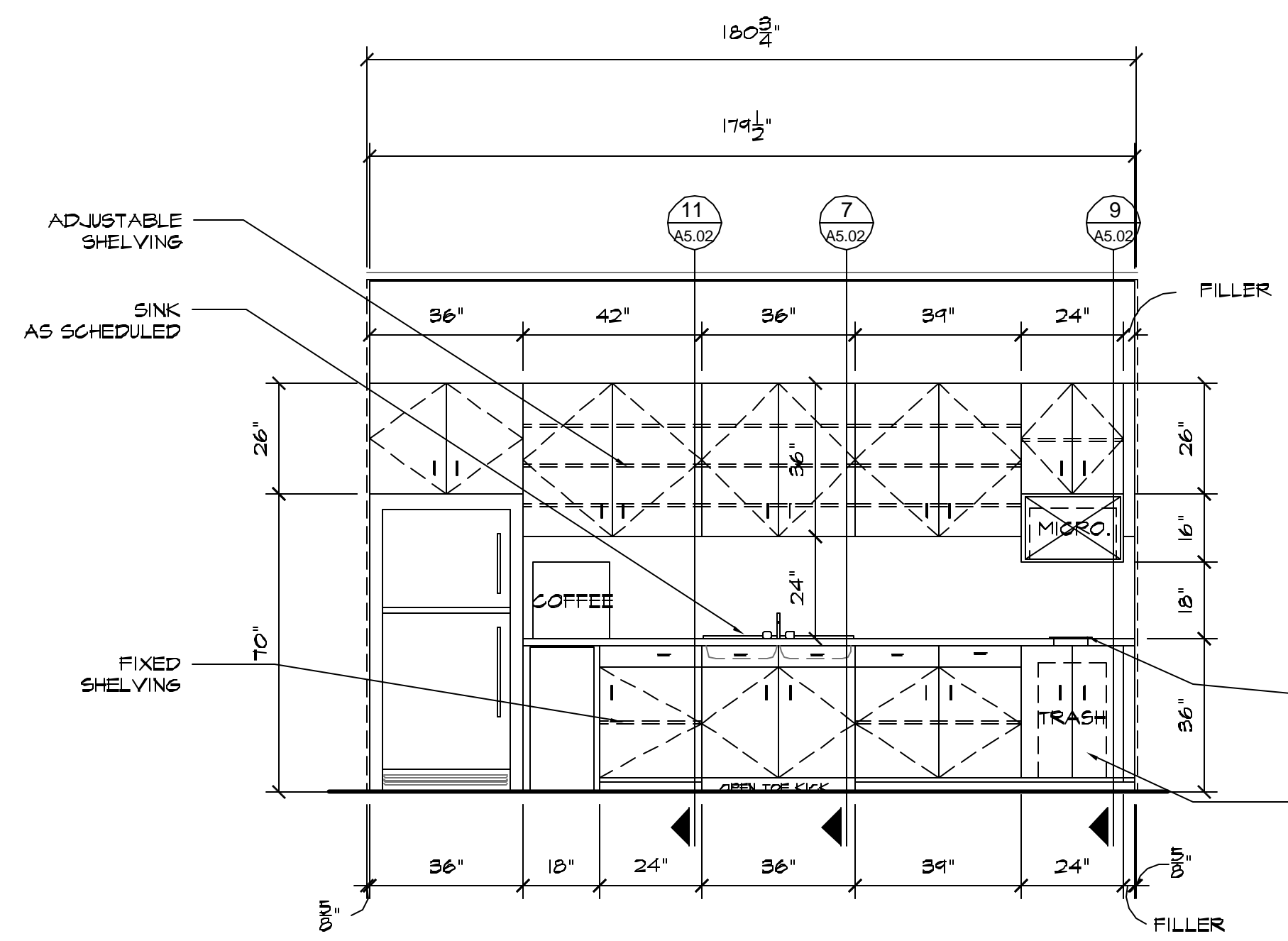
3 Coffee Bar Elevation- Rm. 129
A5.00 / 3/8\"/>



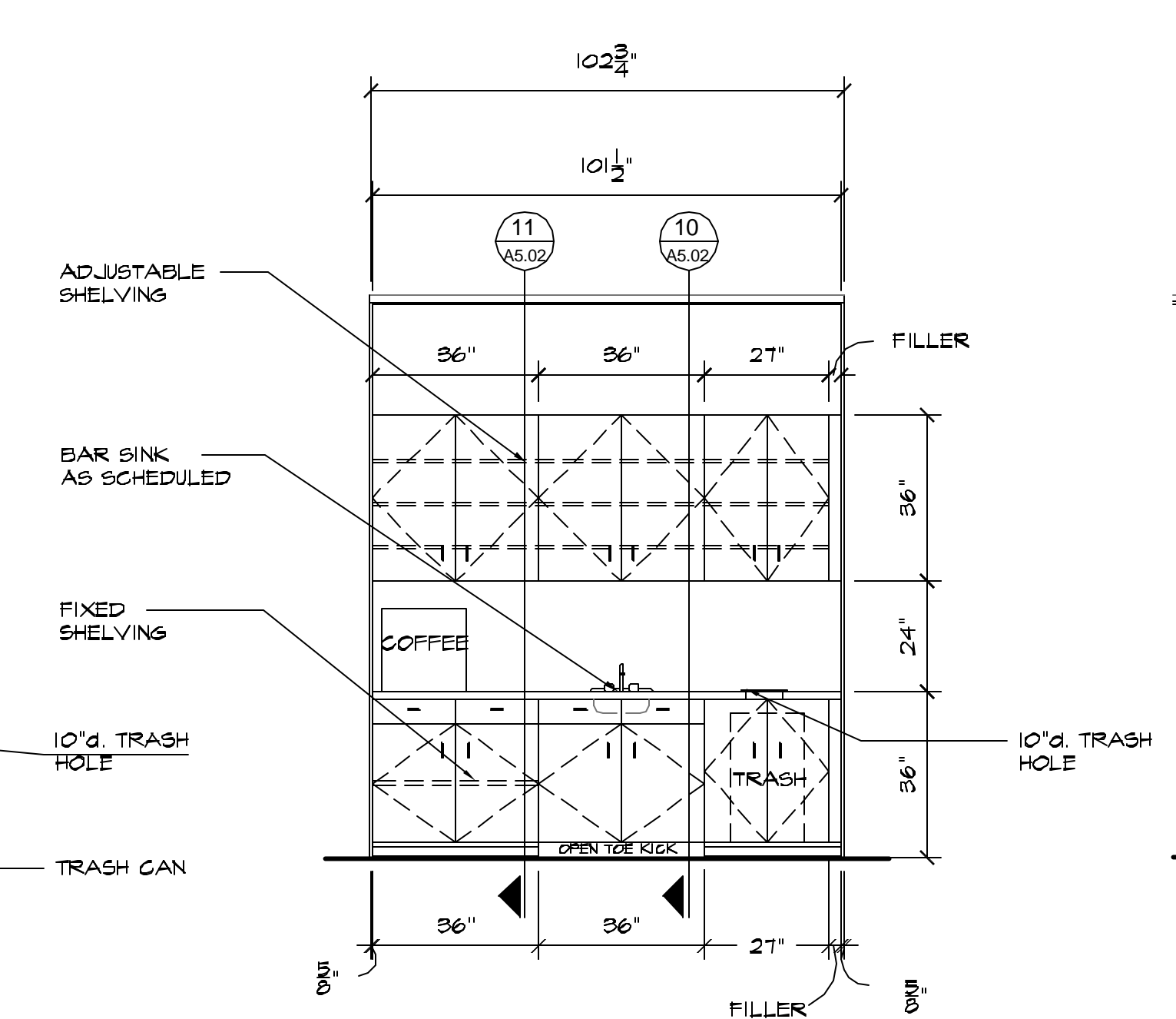
4 Patrol Copy /Mail Room- Rm. 156
A5.00 / 3/8\"/>



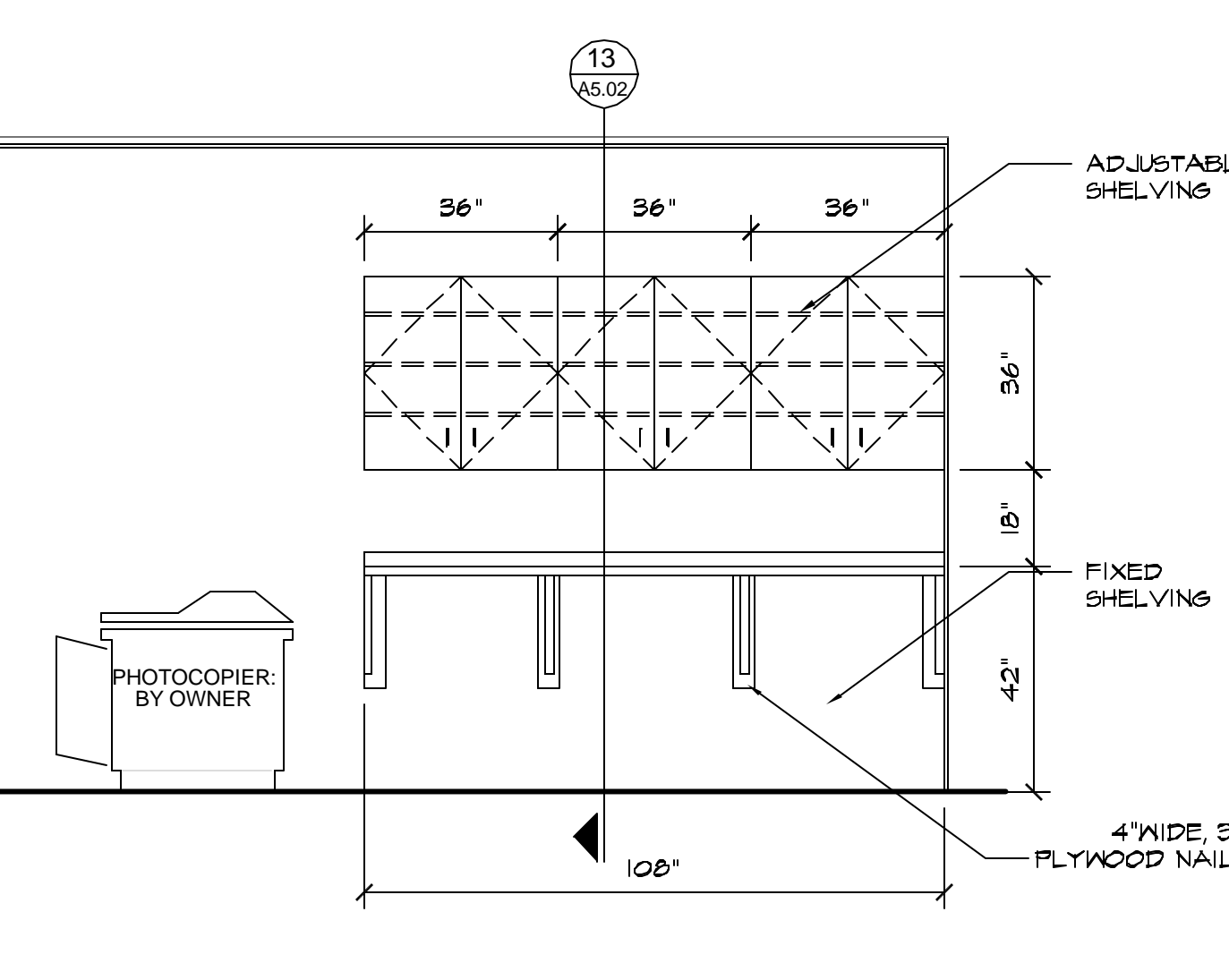
5 Patrol Break Room- Rm. 163
A5.00 / 3/8\"/>



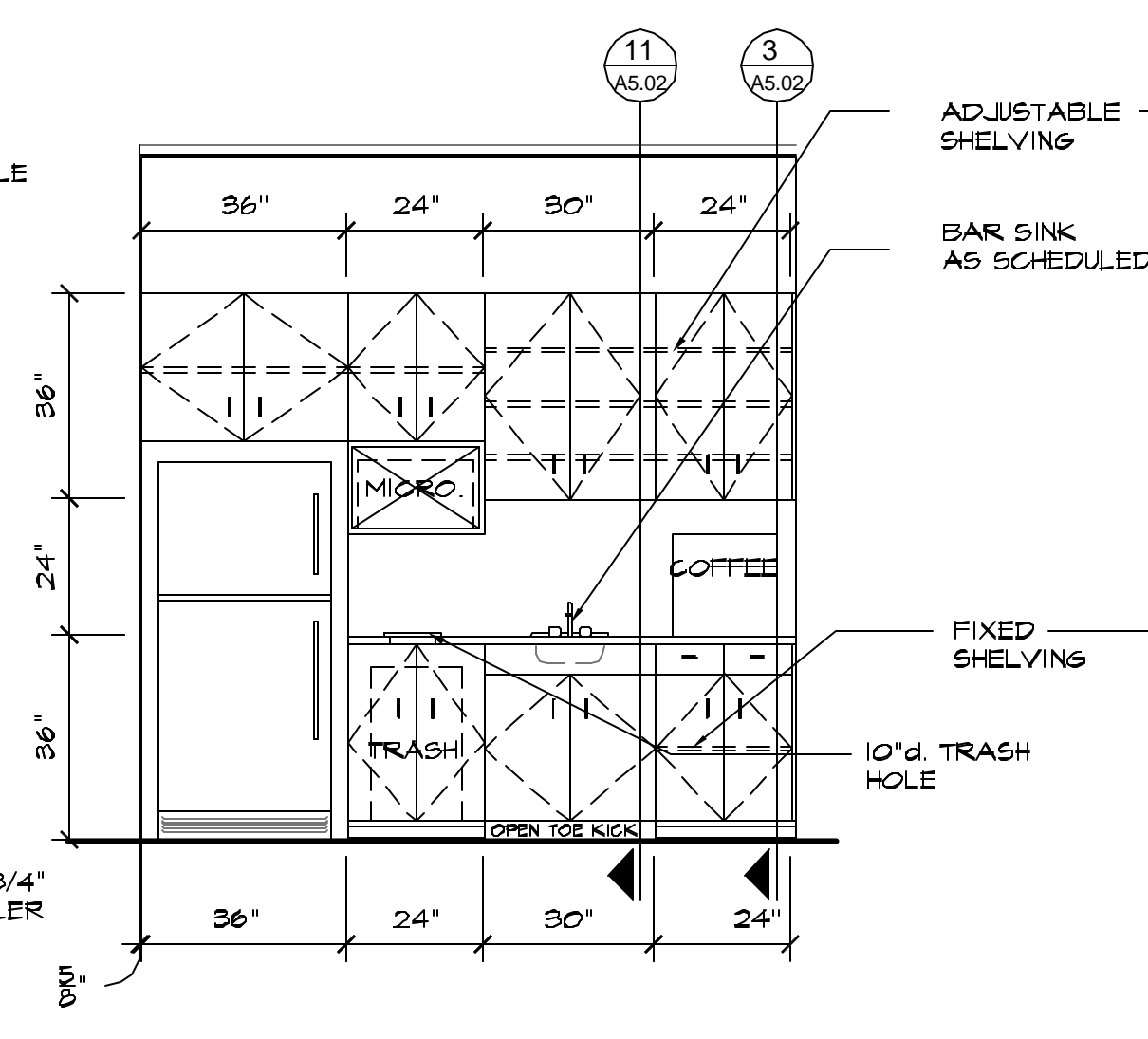
6 Lunch Room- Rm. 170
A5.00 / 3/8\"/>



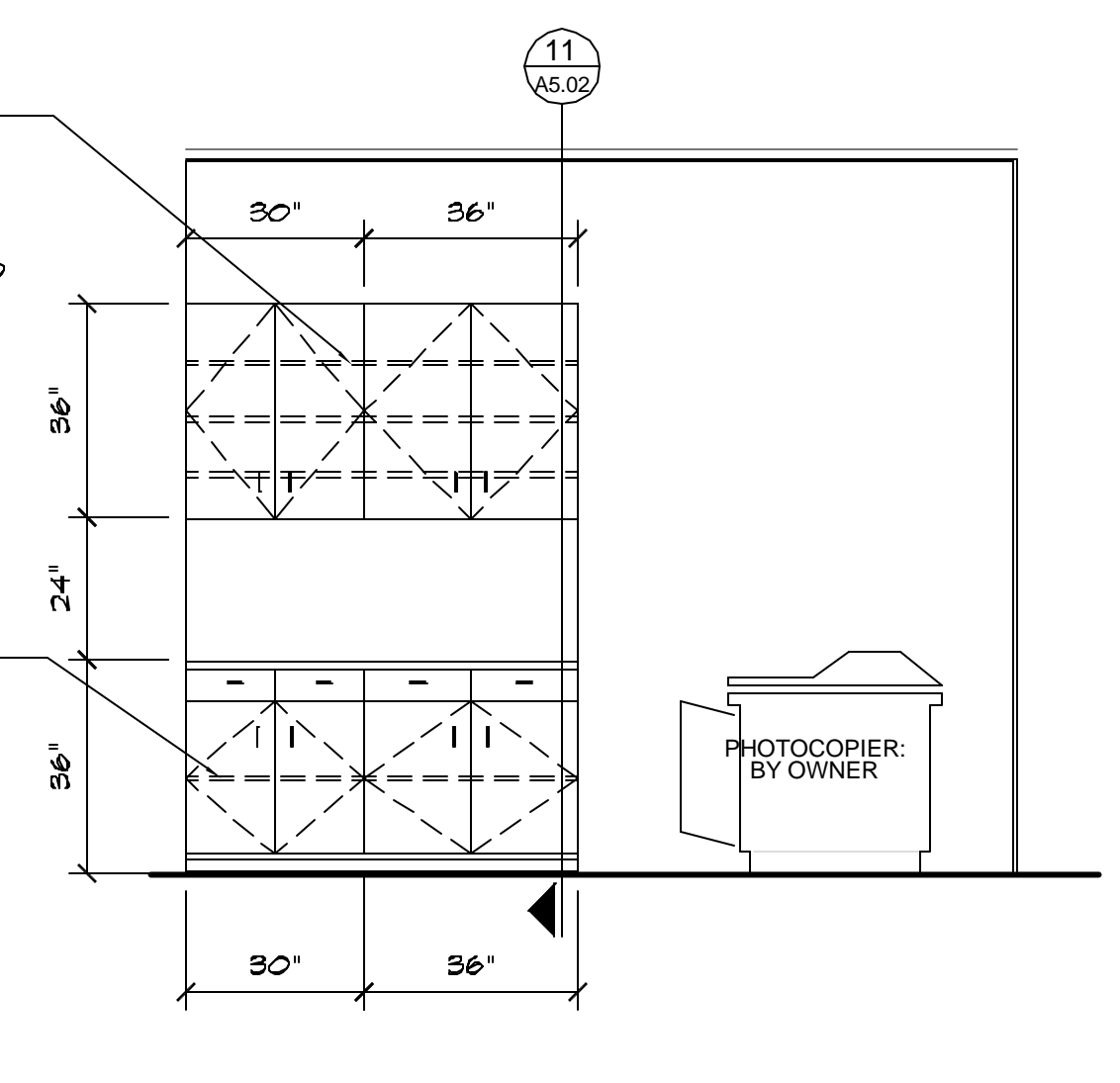
7 Coffee Bar- Rm. 186
A5.00 / 3/8\"/>



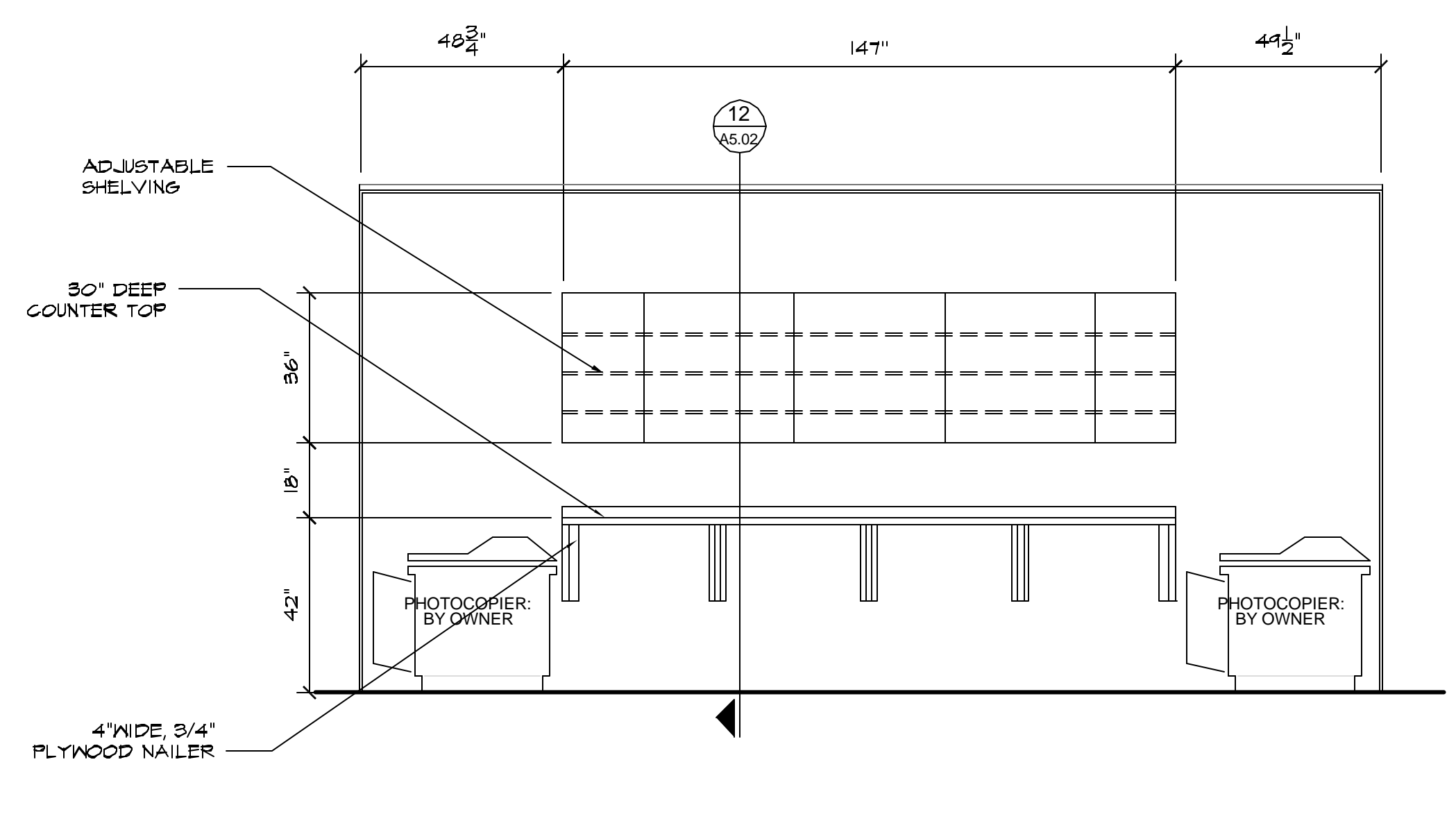
8 Copy/Work Station- Rm. 186
A5.00 / 3/8\"/>



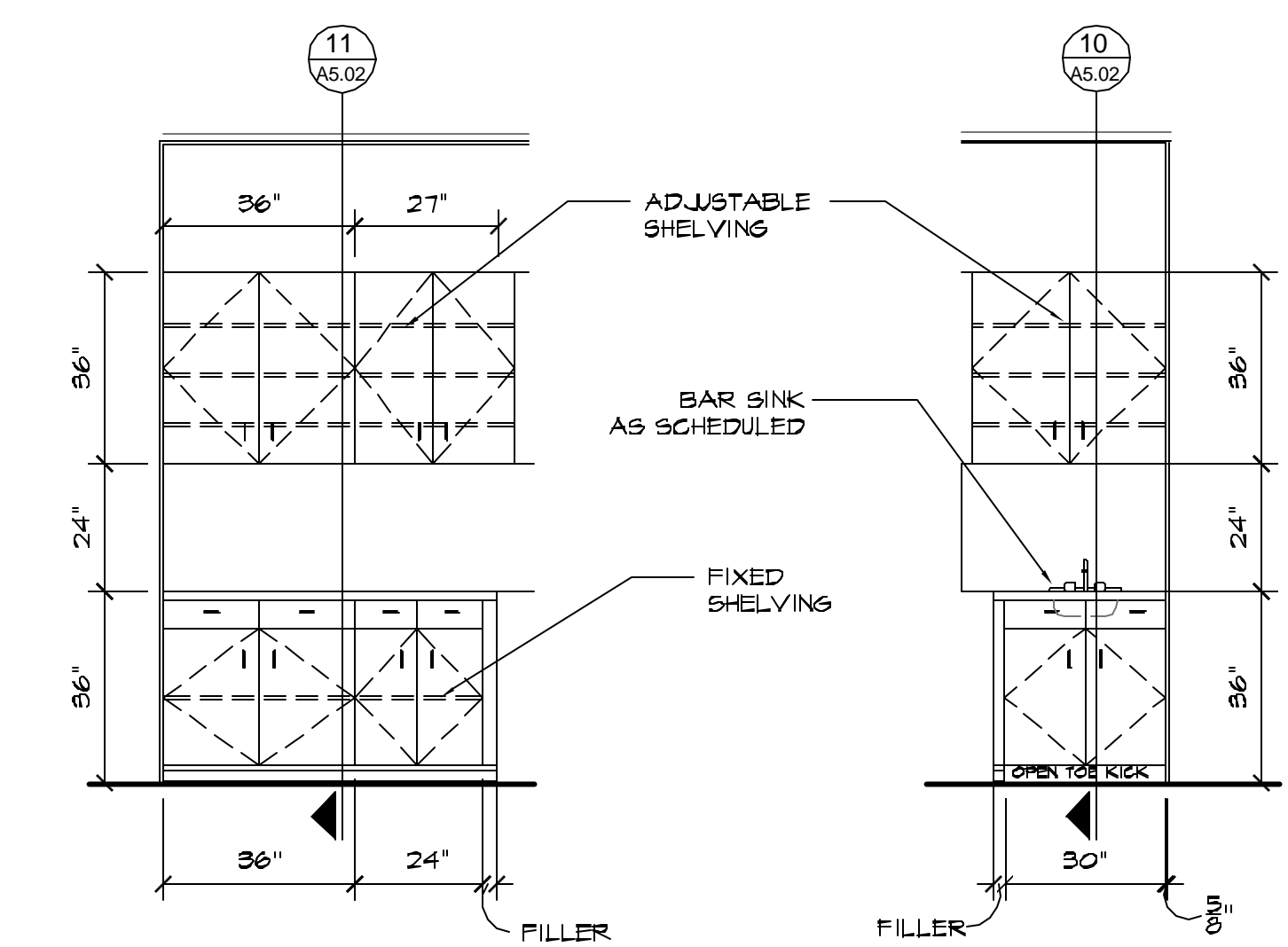
9 Admin. Coffee Bar- Rm. 210
A5.00 / 3/8\"/>



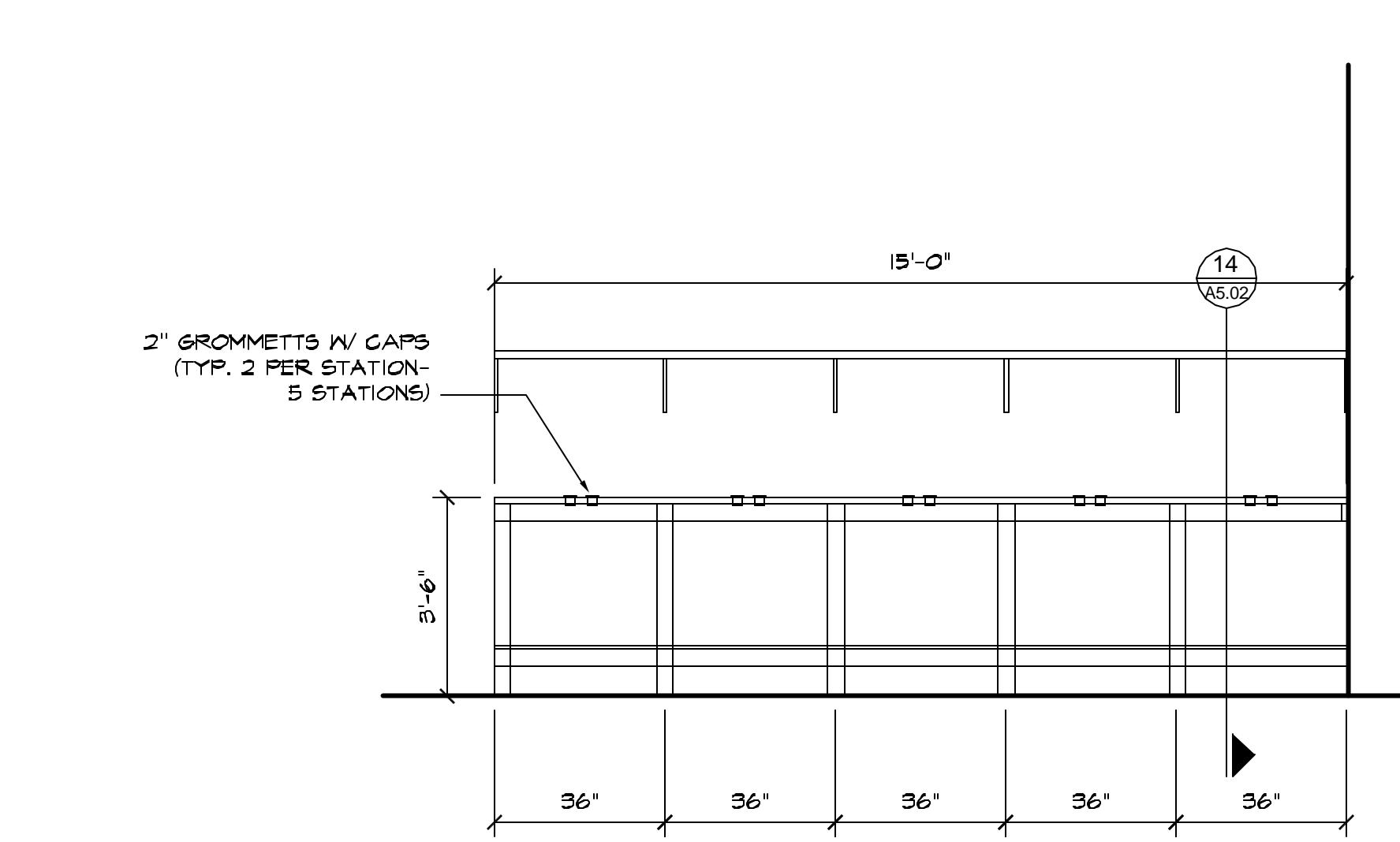
10 Admin. Coffee Bar- Rm. 210
A5.00 / 3/8\"/>



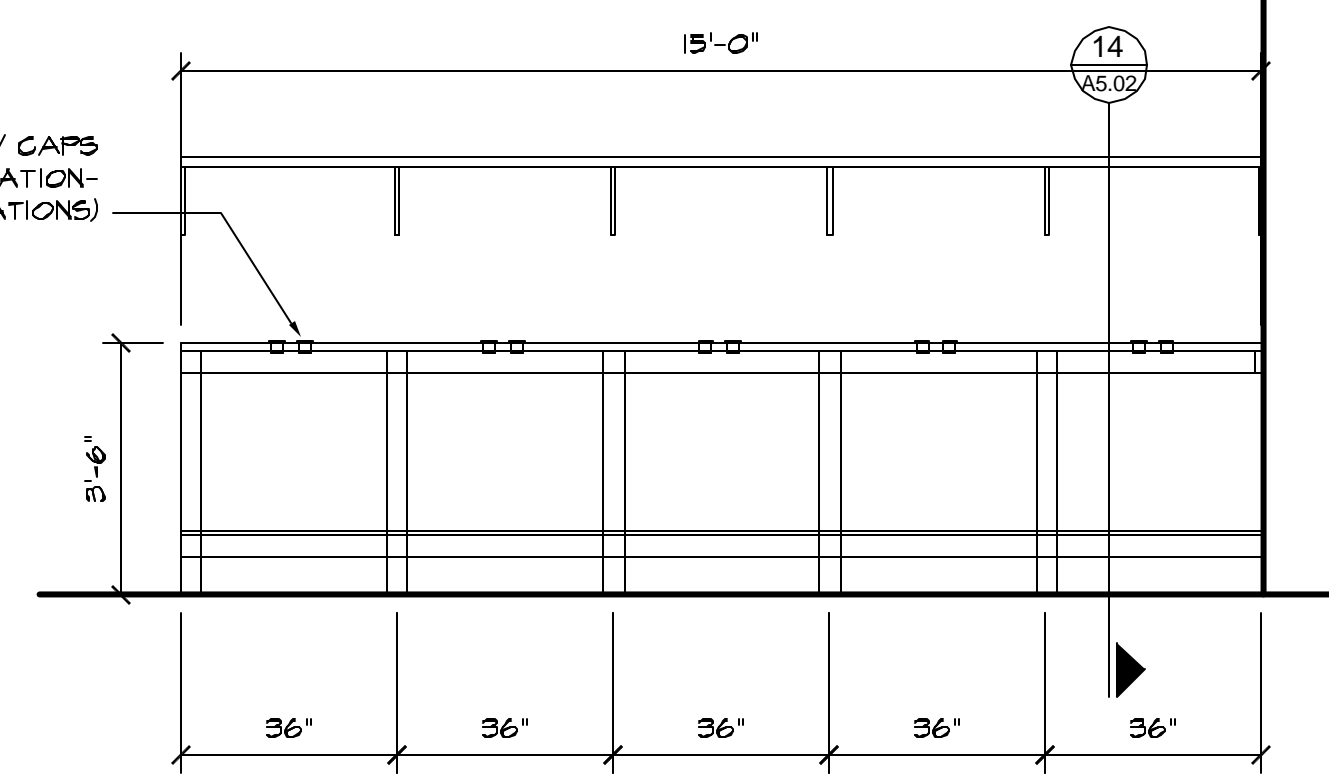
11 Copy Room- Rm. 243
A5.00 / 3/8\"/>



12 Coffee Bar- Rm. 232
A5.00 / 3/8\"/>



13 Coffee Bar- Rm. 232
A5.00 / 3/8\"/>



13 Computer Lab- Rm. 222
A5.00 / 3/8\"/>

GENERAL NOTES:

- ALL EXTERIOR EXPOSED CABINETS/CASEWORK SURFACES TO BE PLASTIC LAMINATE AS SPECIFIED ON SHEET A3.03 & A3.04.
- ALL WORK SURFACES, COUNTERTOPS, SPLASHES, & SUPPORT BRACKETS TO BE PLASTIC LAMINATE AS SPECIFIED ON SHEET A3.03 & A3.04. UNLESS OTHERWISE NOTED.
- ALL TOE-KICK PLATES TO HAVE RUBBER COVE BASE APPLIED TO BASE CABINETS. SPECIFICATIONS ON SHEETS A3.03 & A 3.04.
- RE: FLOOR PLANS FOR ADDITIONAL DIMENSIONS
- GENERAL CONTRACTOR TO PROVIDE MINIMUM 2x4 STRONG BACK WOOD BLOCKING BEHIND ALL BASE AND WALL MOUNTED CASEWORK.
- ALL INTERIOR CABINET SURFACES, SHELVING, DRAWERS, & DRAWER BACKS TO BE MELAMINE.
- CABINET CONSTRUCTION TO BE AWL "CUSTOM" GRADE QUALITY W/ FINISHES NOTED. ALL EXPOSED SURFACES TO BE PRESSURE LAMINATE UNLESS NOTED OTHERWISE. SEE SPECIFICATION SECTION 0640.

