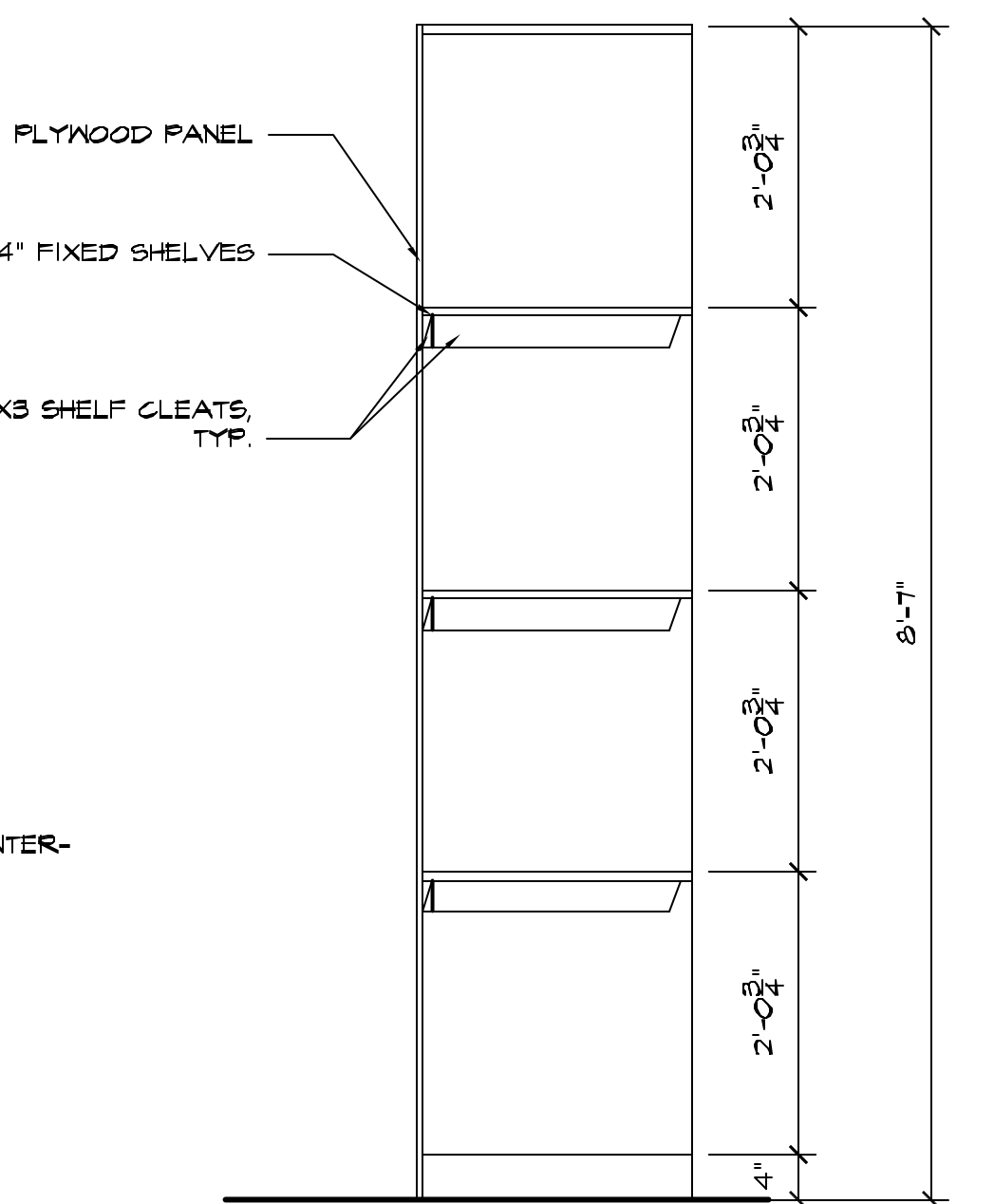
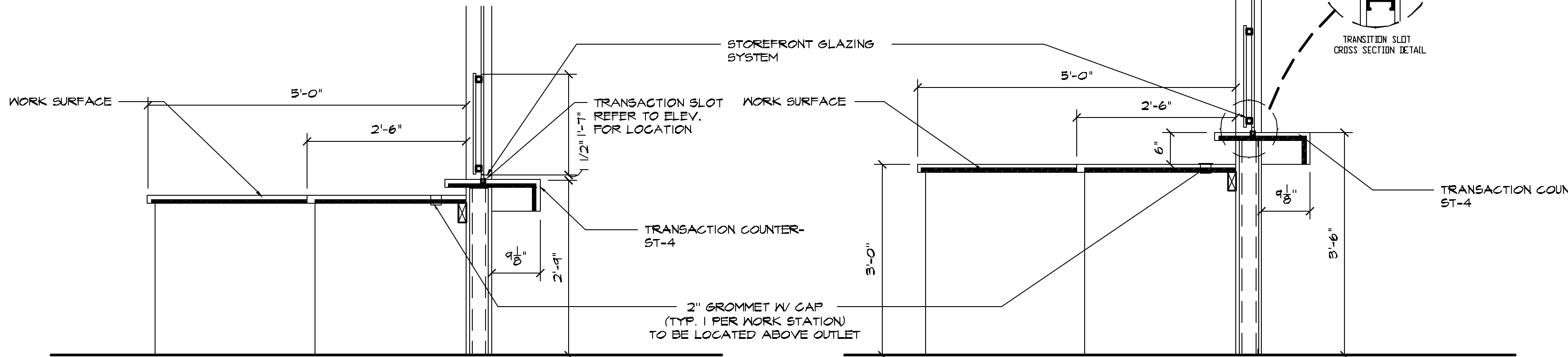
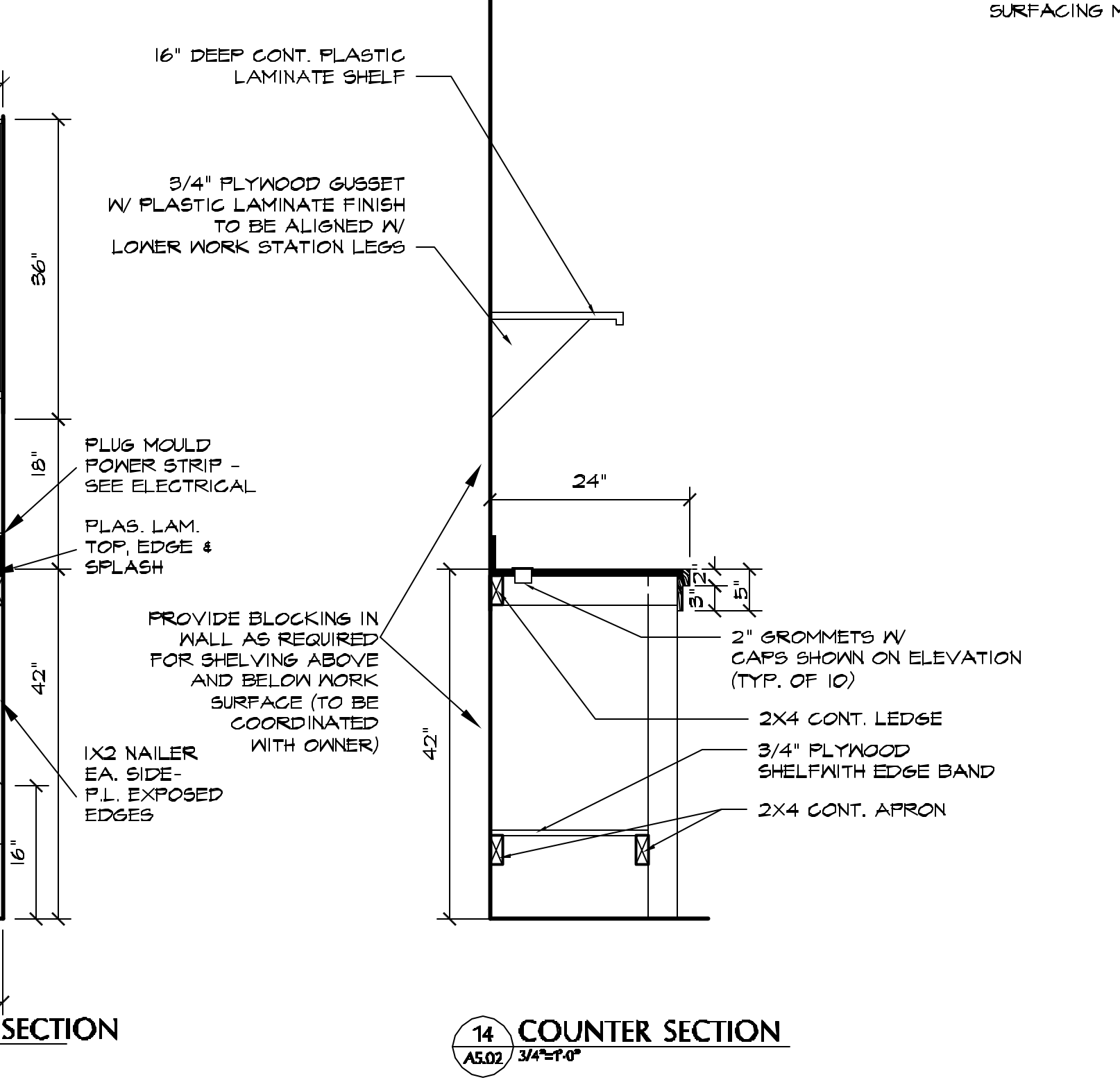
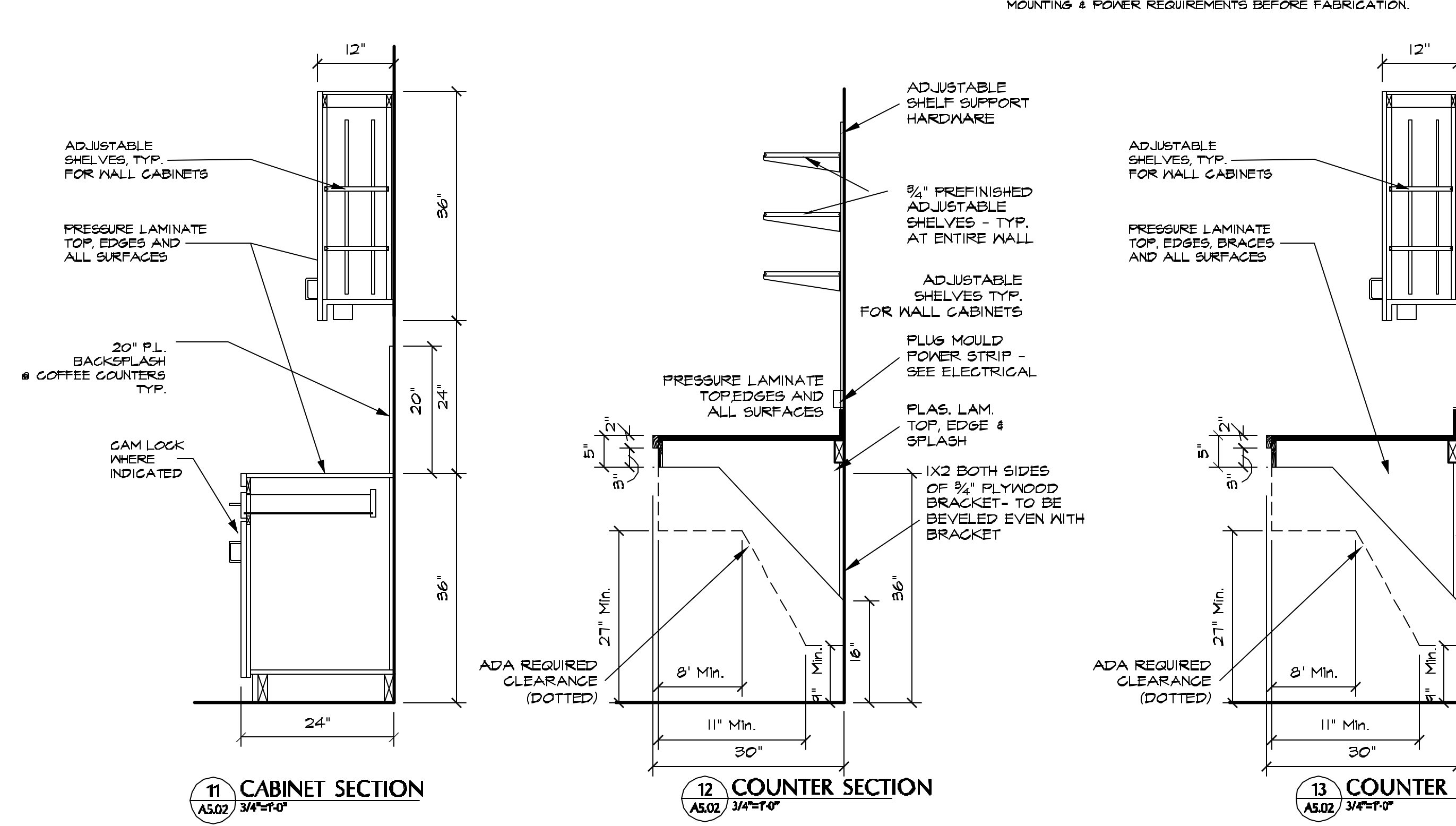
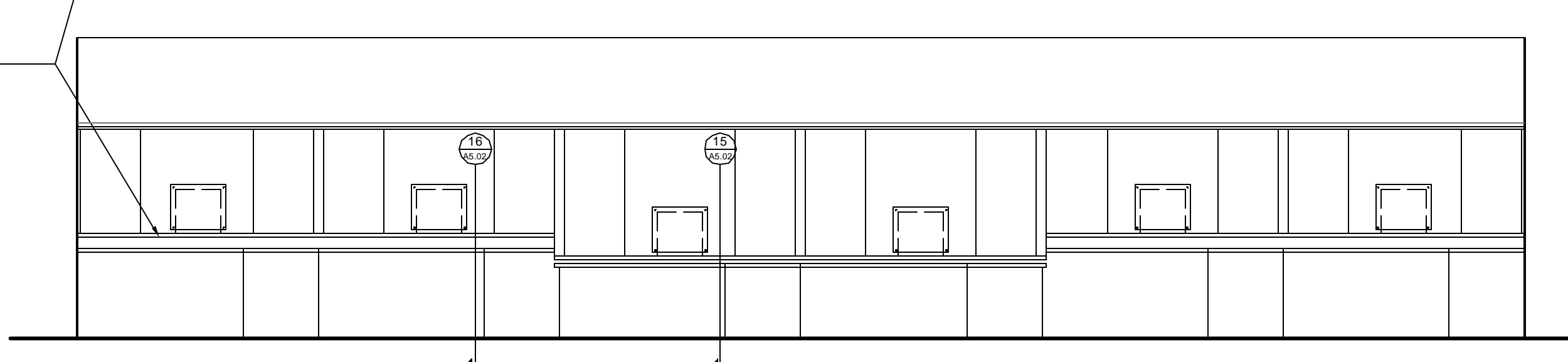
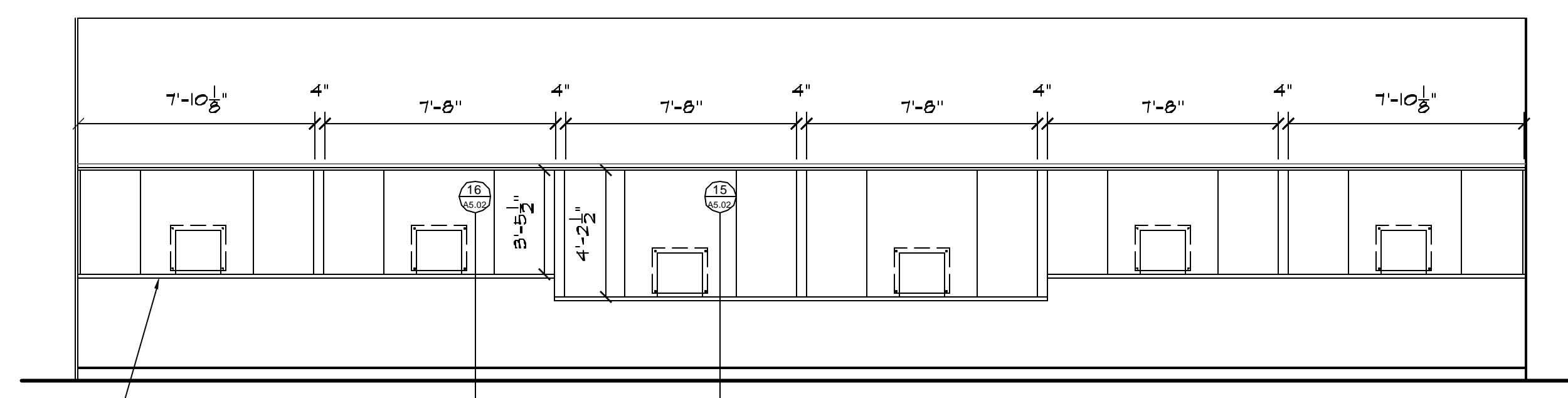
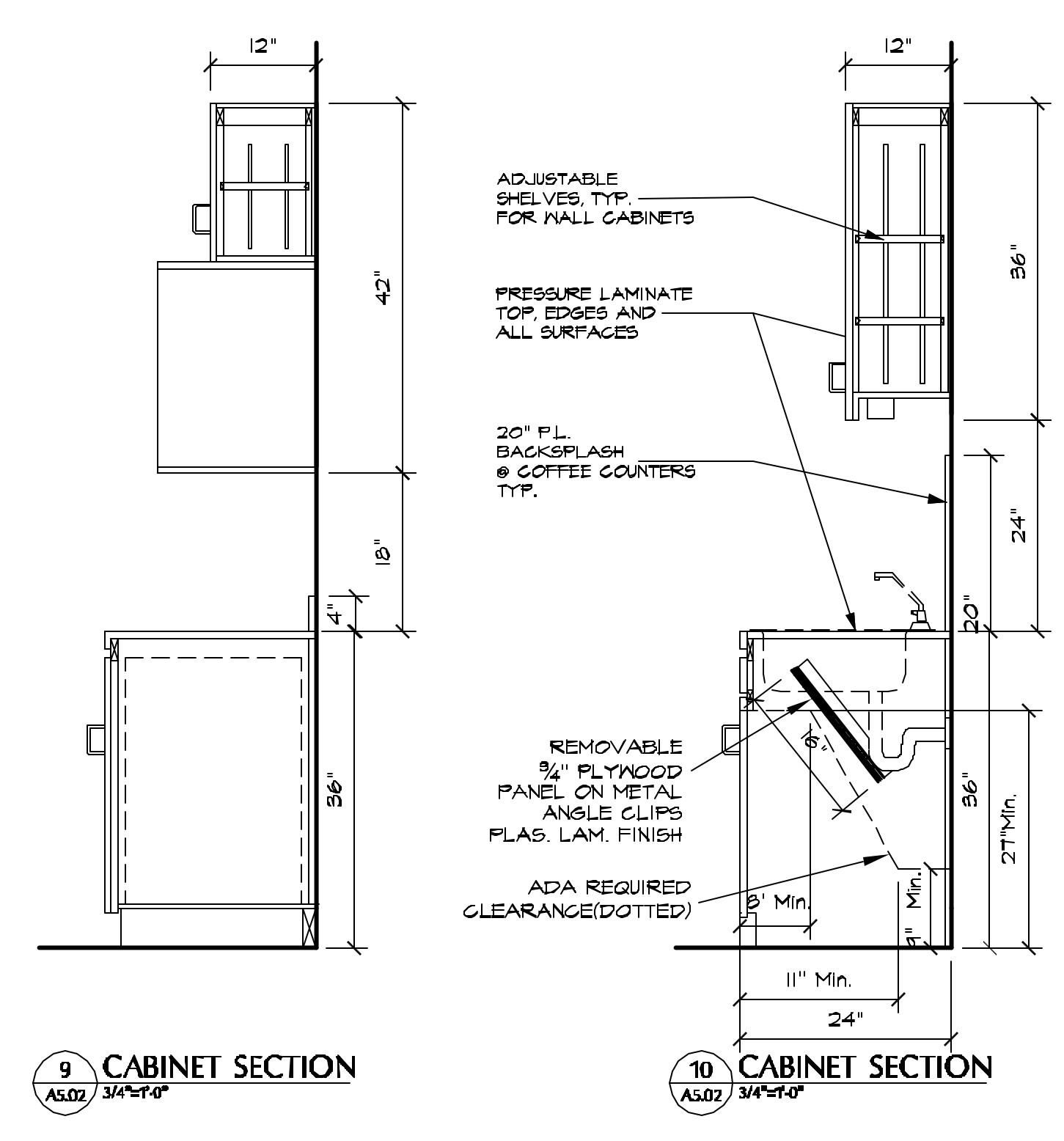
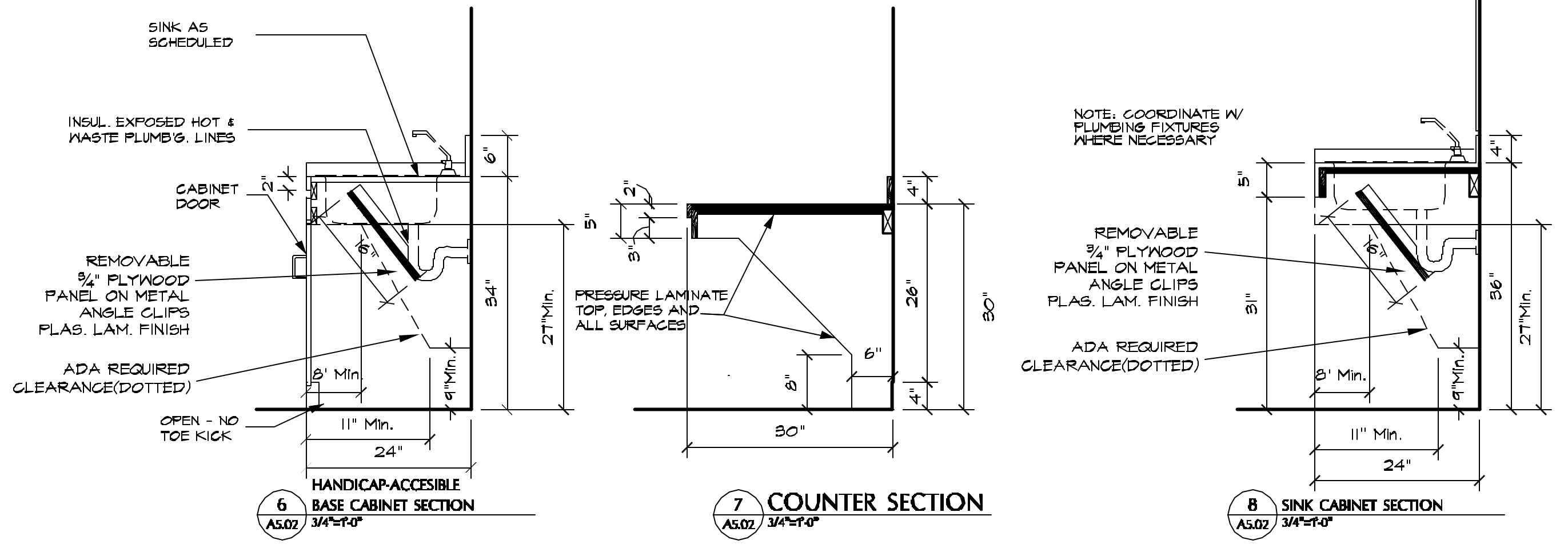
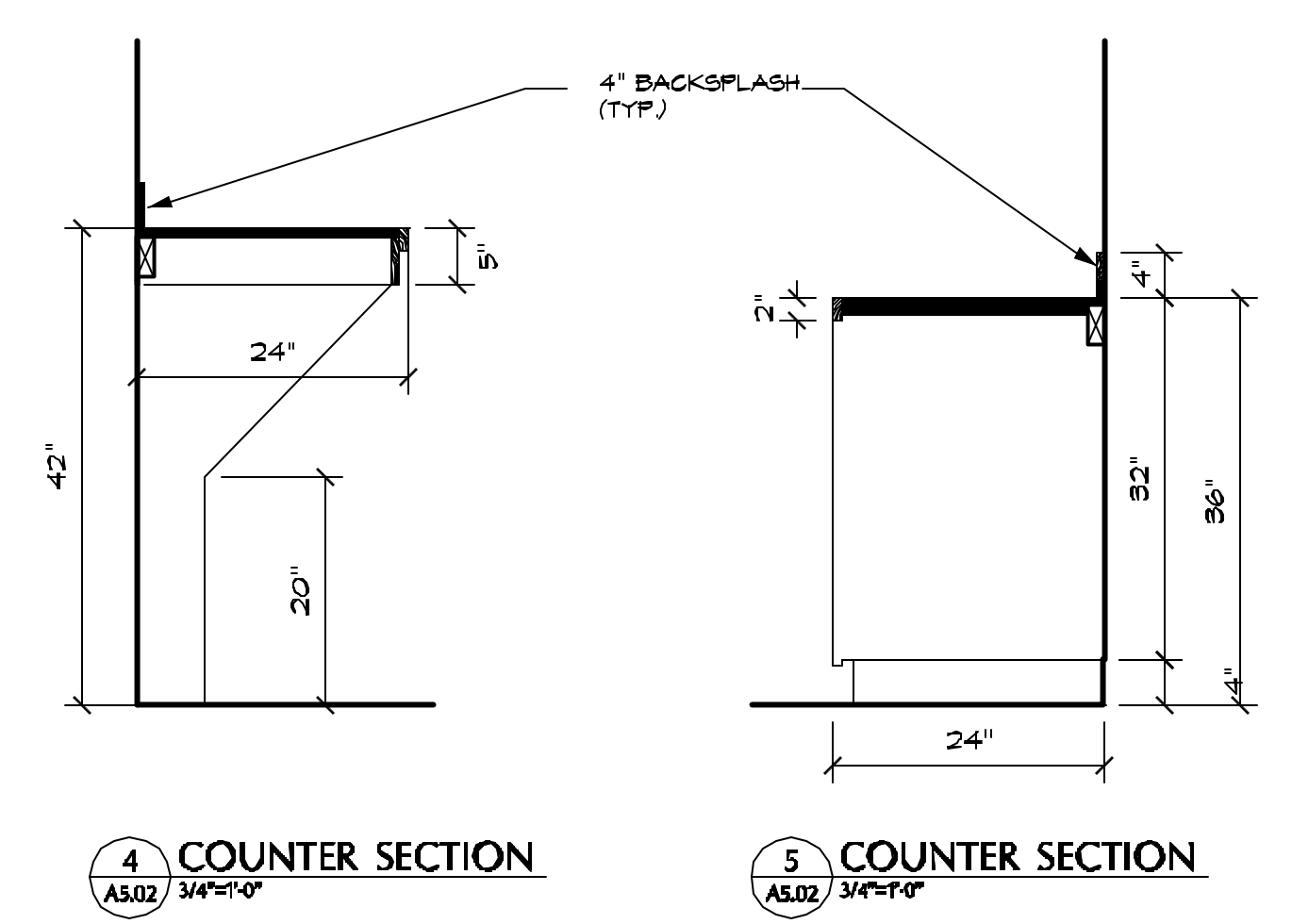
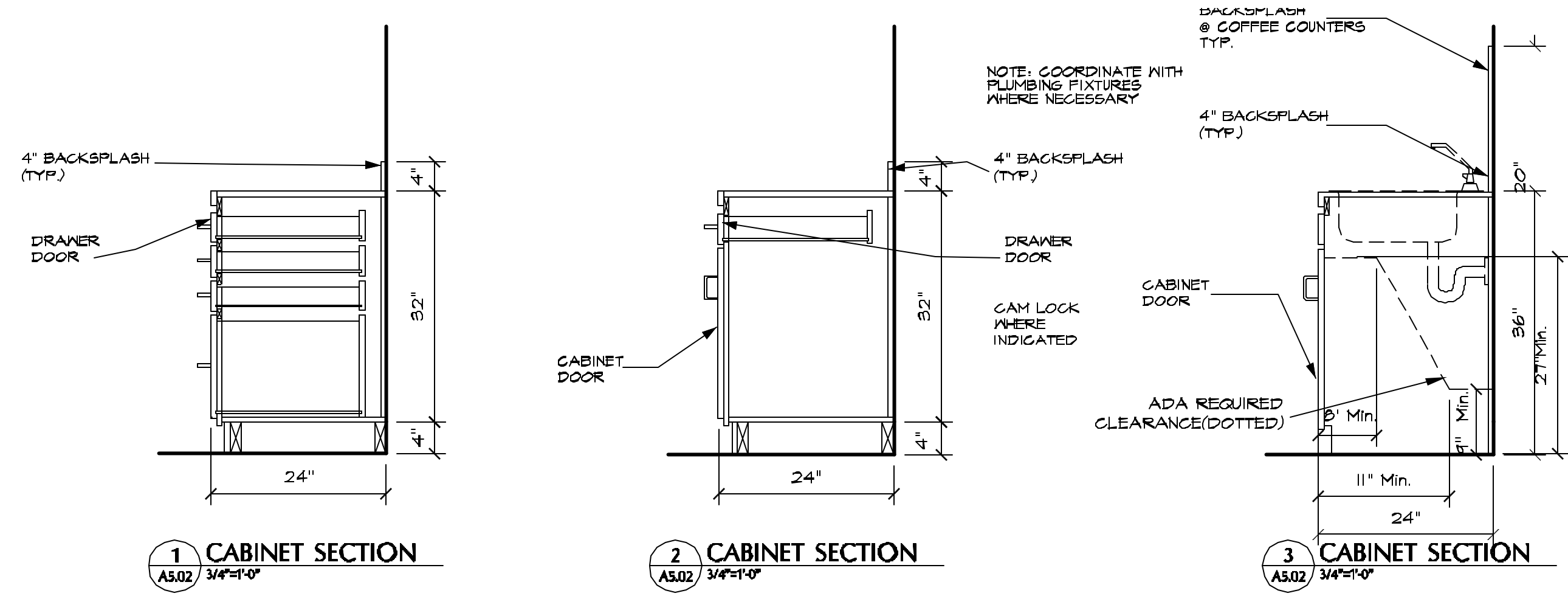


**GENERAL NOTES:**

1. ALL EXTERIOR EXPOSED CABINETS/CASEWORK SURFACES TO BE PLASTIC LAMINATE AS SPECIFIED ON SHEET A3.03 & A3.04.
2. ALL WORK SURFACES, COUNTERTOPS, SPLASHES, & SUPPORT BRACKETS TO BE PLASTIC LAMINATE AS SPECIFIED ON SHEET A3.03 & A3.04. UNLESS OTHERWISE NOTED.
3. ALL TOE KICK PLATES TO HAVE RUBBER COVE BASE APPLIED TO BASE CABINETS. SPECIFICATIONS ON SHEETS A3.03 & A.3.04.
4. RE: FLOOR PLANS FOR ADDITIONAL DIMENSIONS
5. GENERAL CONTRACTOR TO PROVIDE MINIMUM 2x4 STRONG BACK WOOD BLOCKING BEHIND ALL BASE AND WALL MOUNTED CASEWORK.
6. ALL INTERIOR CABINET SURFACES, SHELVING, DRAWERS, & DRAWER BACKS TO BE MELAMINE.
7. CABINET CONSTRUCTION TO BE A.W.I. "CUSTOM" GRADE QUALITY W/ FINISHES NOTED. ALL EXPOSED SURFACES TO BE PRESSURE LAMINATE UNLESS NOTED OTHERWISE. SEE SPECIFICATION SECTION 06400.



**ST. TAMMANY PARISH SHERIFF'S OFFICE**  
BROWNSWITCH ROAD  
SLIDELL, LOUISIANA

CONSTRUCTION DOCUMENTS