

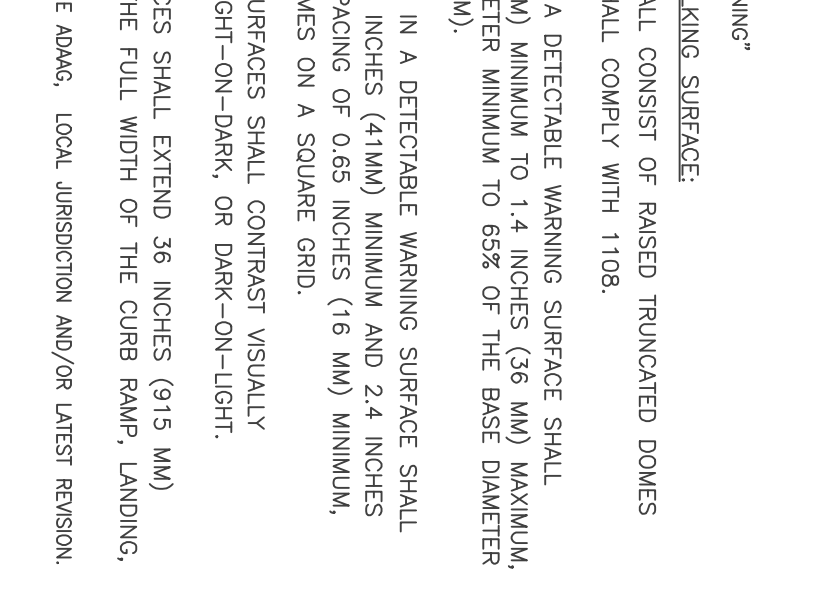
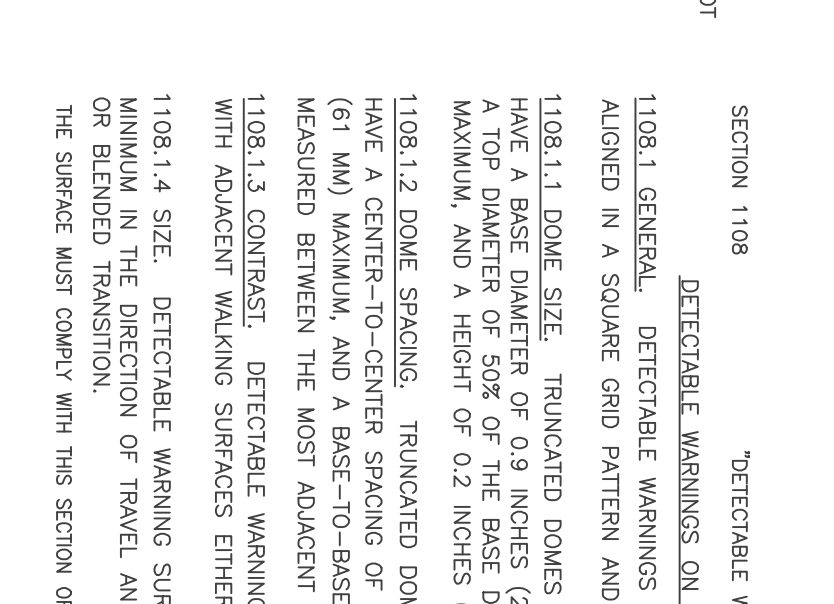
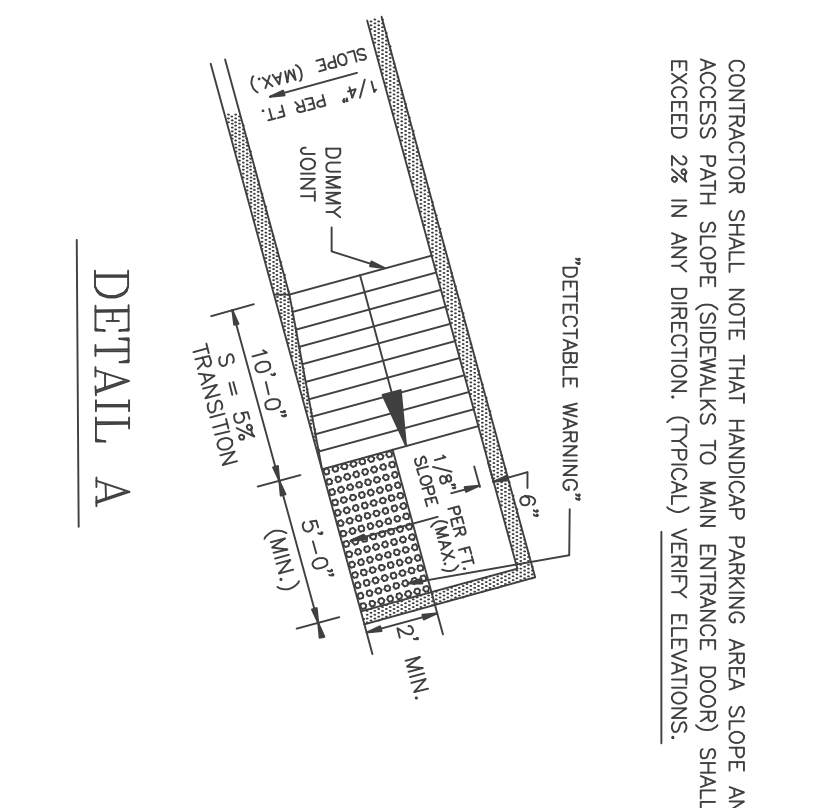
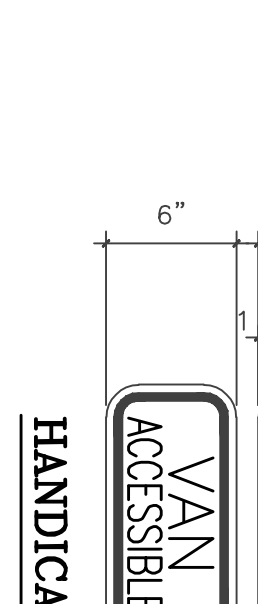
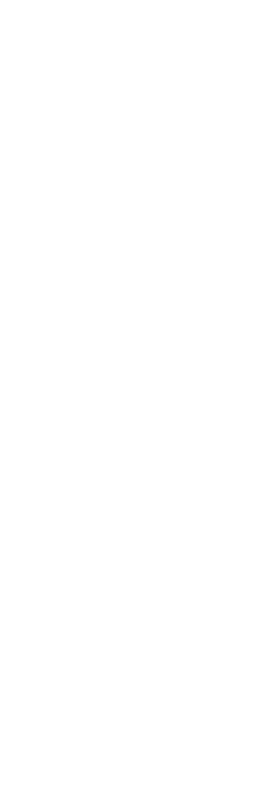
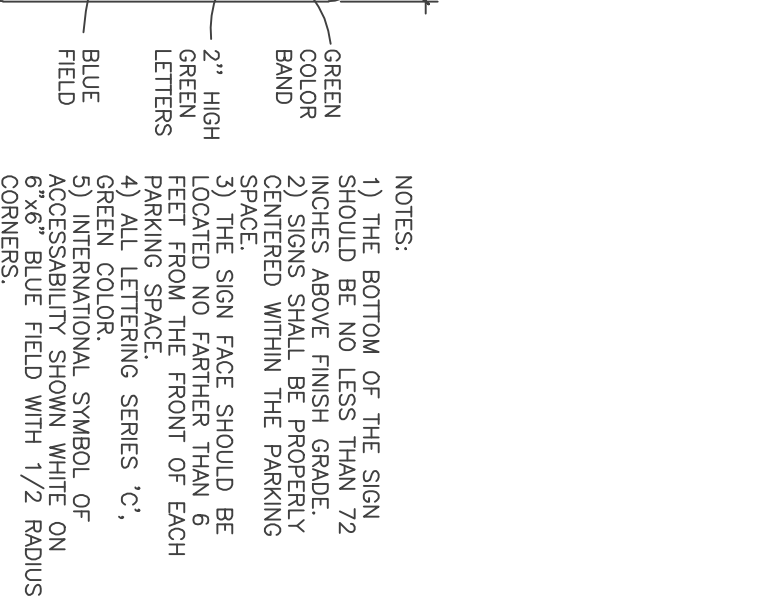
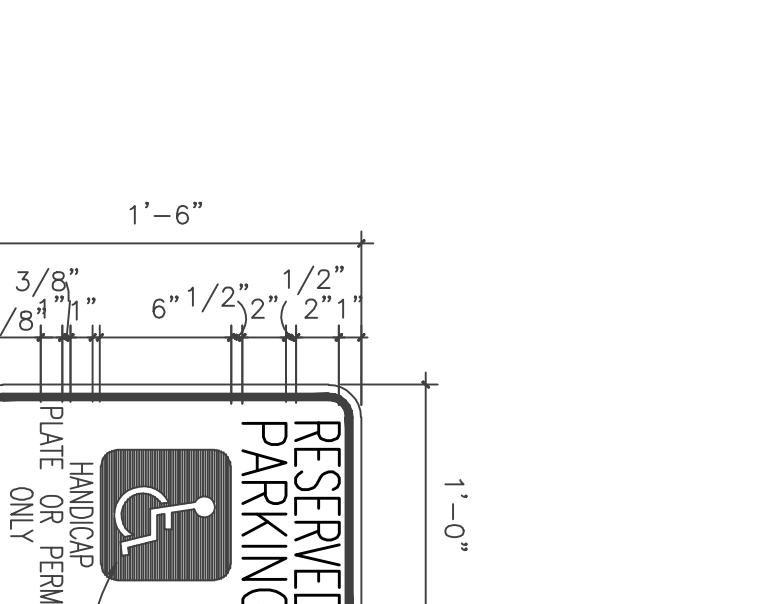
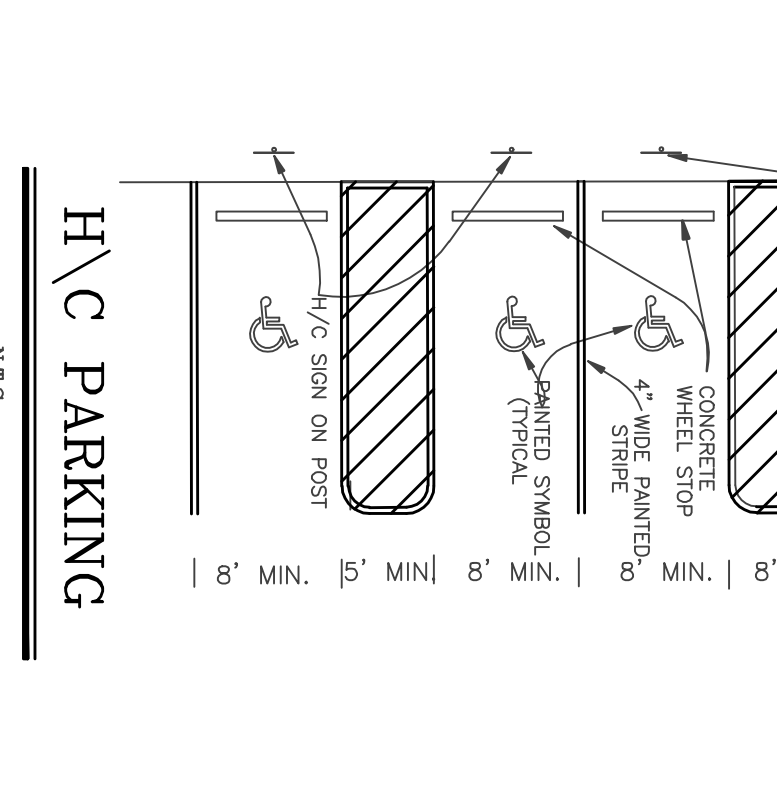
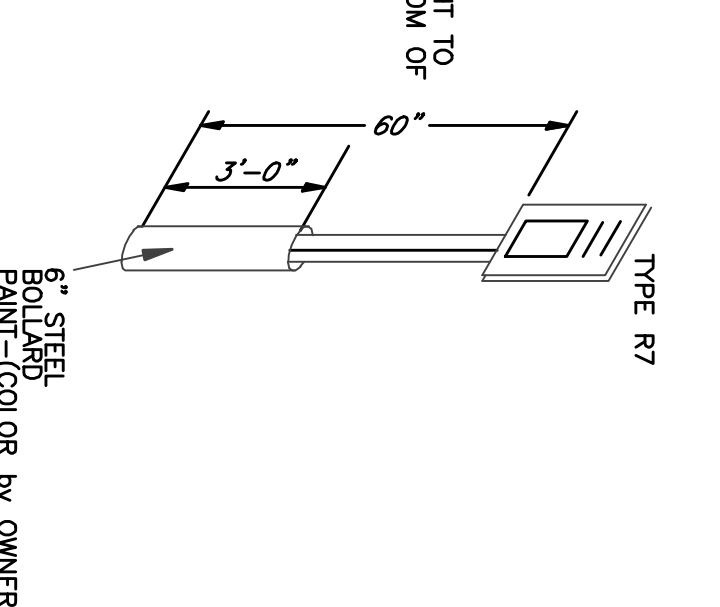
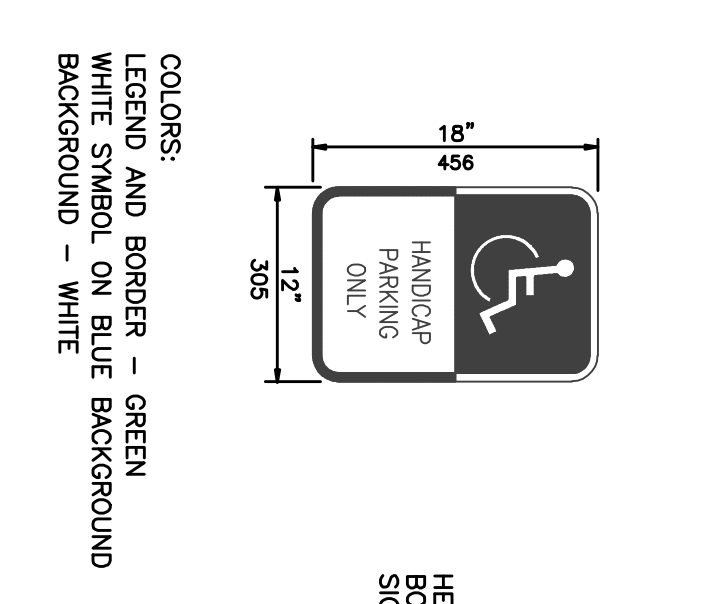
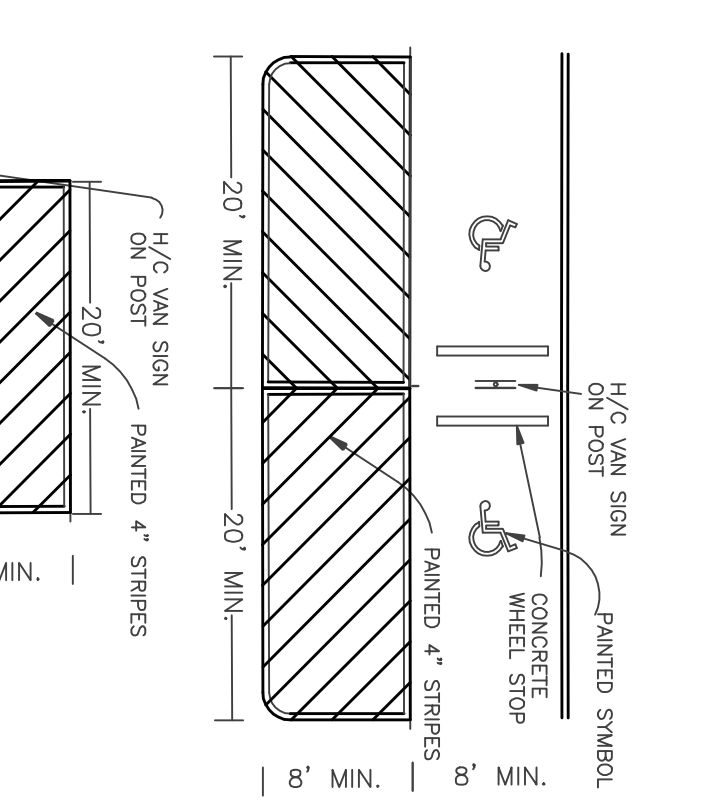
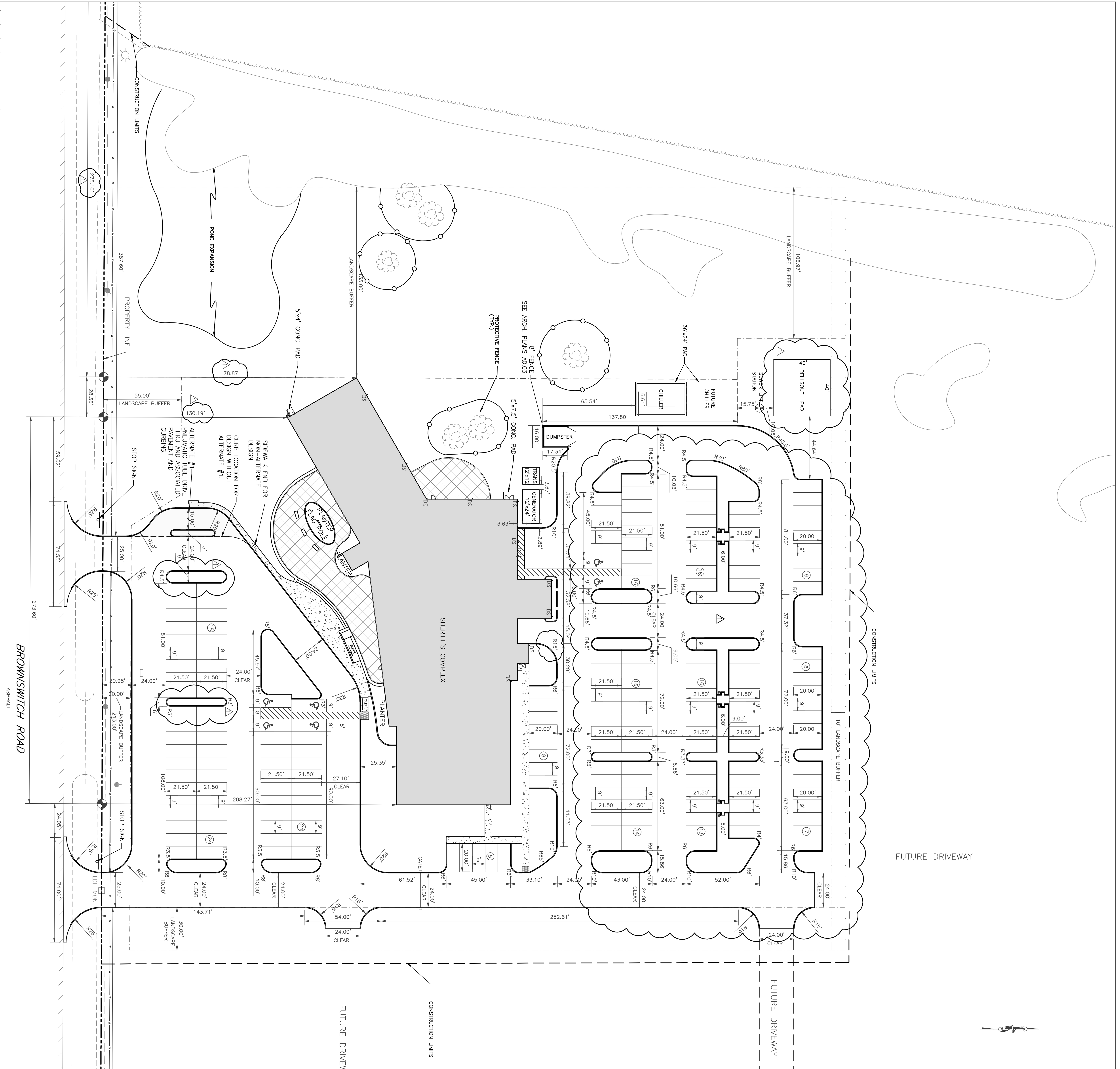
PROJECT INFORMATION

Project Number: 0899
Date Issued: 03/23/07
Drawn By: BAF
Checked By: VE
Revisors: PR1

ST. TAMMANY PARISH SHERIFF'S OFFICE
BROWNSWITCH ROAD
SLIDELL, LOUISIANA

CONSTRUCTION DOCUMENTS

SITE LAYOUT PLAN
Sheet Number: C1



NOTES:

- ALL CORNER IS & BARRIER CORN LOCATED AS SHOWN THIS SHEET.
- ALL DIMENSIONS ARE IN FEET AND INCHES UNLESS OTHERWISE NOTED.
- SOME CONSTRUCTION ACTIVITIES WILL BE REQUIRED OUTSIDE OF THE CONSTRUCTION LIMITS SHOWN (E.G. SEWER FORCE MAIN CONSTRUCTION) HOWEVER CONSTRUCTION LIMITS SHALL COME ACTIVITIES TO THE LIMIT SHOWN UNLESS OTHERWISE NOTED.

SECTION 1108

DETECTABLE WARNING

CONSTRUCTION SHALL NOT BE PERMITTED UNTIL THE DETECTABLE WARNING SURFACES ARE INSTALLED AND THE SURFACES TO BE MARKED WITH THE DETECTABLE WARNING SURFACES SHALL EXCEED 28\"/>

DETECTABLE WARNING

1.08.1.1. DETECTABLE WARNING SURFACES SHALL CONSIST OF RAISED TRUNCATED CONES ALONG IN A SQUARE GRID PATTERN AND SHALL COMPLY WITH 1108.

1.08.1.1.1. DOME SIZE: TRUNCATED CONES IN A DETECTABLE WARNING SURFACE SHALL HAVE A TOP DIAMETER OF 6 INCHES (152.4 MM), A BASE DIAMETER OF 9 INCHES (228.6 MM), AND A HEIGHT OF 0.2 INCHES (5.08 MM).

1.08.1.2. DOME SPACING: TRUNCATED CONES IN A DETECTABLE WARNING SURFACE SHALL HAVE A CENTER-TO-CENTER SPACING OF 1.6 INCHES (41.27 MM) MINIMUM AND 2.4 INCHES (61.01 MM) MAXIMUM AND A BASE-TO-BASE SPACING OF 0.65 INCHES (16.51 MM) MINIMUM, INDICATED BETWEEN THE MOST ADJACENT CONES ON A SQUARE GRID.

1.08.1.3. DETECTABLE WARNING SURFACES SHALL COMPLY VISUALLY WITH ADA/ANSI A117.1. DETECTABLE WARNING SURFACES SHALL BE CENTERED UNDER THE ACCESSIBLE PARKING SIGN AS SHOWN ON SHEET.

1.08.1.4. SIZE: DETECTABLE WARNING SURFACES SHALL EXCEED 36 INCHES (915 MM) BY 36 INCHES (915 MM) MINIMUM AND 48 INCHES (1219 MM) MAXIMUM AND 2.4 INCHES (61.01 MM) MINIMUM, INDICATED BETWEEN THE MOST ADJACENT CONES ON A SQUARE GRID.

1.08.1.5. DETECTABLE WARNING SURFACES SHALL BE CENTERED UNDER THE ACCESSIBLE PARKING SIGN AS SHOWN ON SHEET.

1.08.1.6. DETECTABLE WARNING SURFACES SHALL BE CENTERED UNDER THE ACCESSIBLE PARKING SIGN AS SHOWN ON SHEET.

1.08.1.7. DETECTABLE WARNING SURFACES SHALL BE CENTERED UNDER THE ACCESSIBLE PARKING SIGN AS SHOWN ON SHEET.

1.08.1.8. DETECTABLE WARNING SURFACES SHALL BE CENTERED UNDER THE ACCESSIBLE PARKING SIGN AS SHOWN ON SHEET.

1.08.1.9. DETECTABLE WARNING SURFACES SHALL BE CENTERED UNDER THE ACCESSIBLE PARKING SIGN AS SHOWN ON SHEET.

1.08.1.10. DETECTABLE WARNING SURFACES SHALL BE CENTERED UNDER THE ACCESSIBLE PARKING SIGN AS SHOWN ON SHEET.

SCALE: 1" = 30'