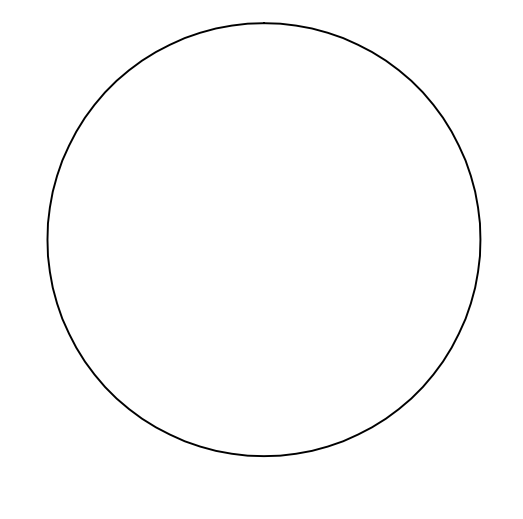


RCLC
Project Number: 0687
Date Issued: 05/15/07
Drawn By: EDA
Checked By: EDA

Revisions:

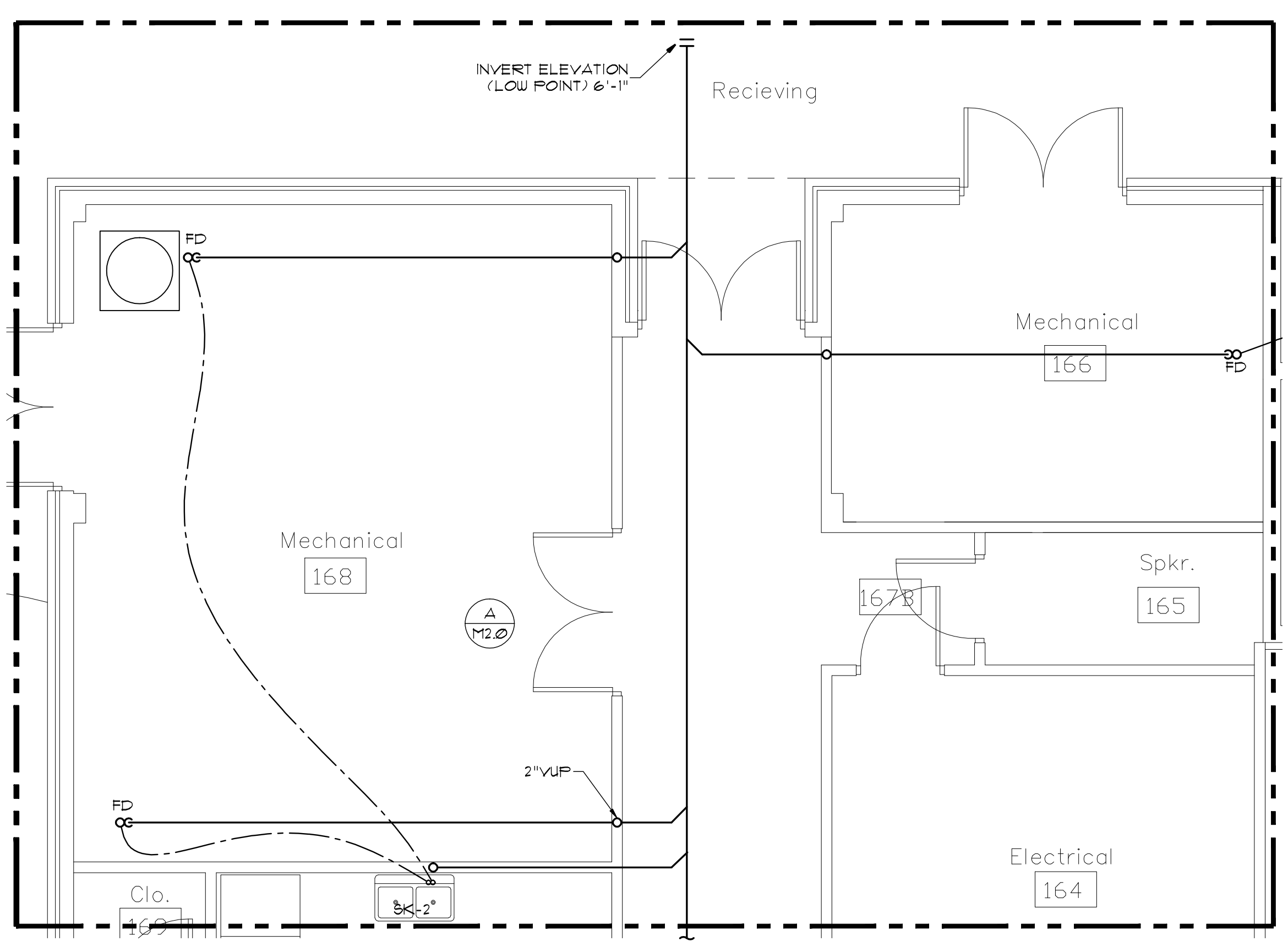
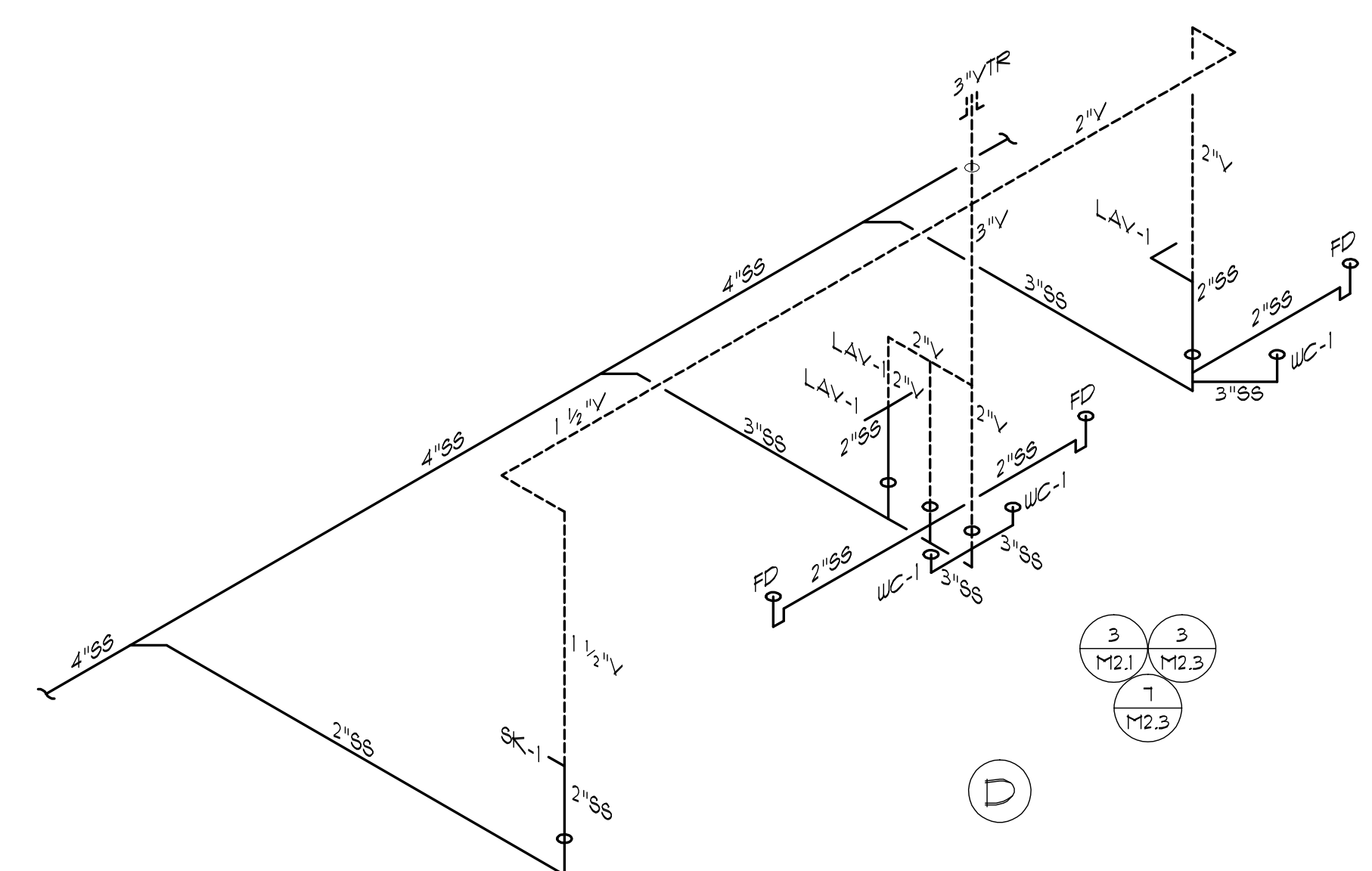
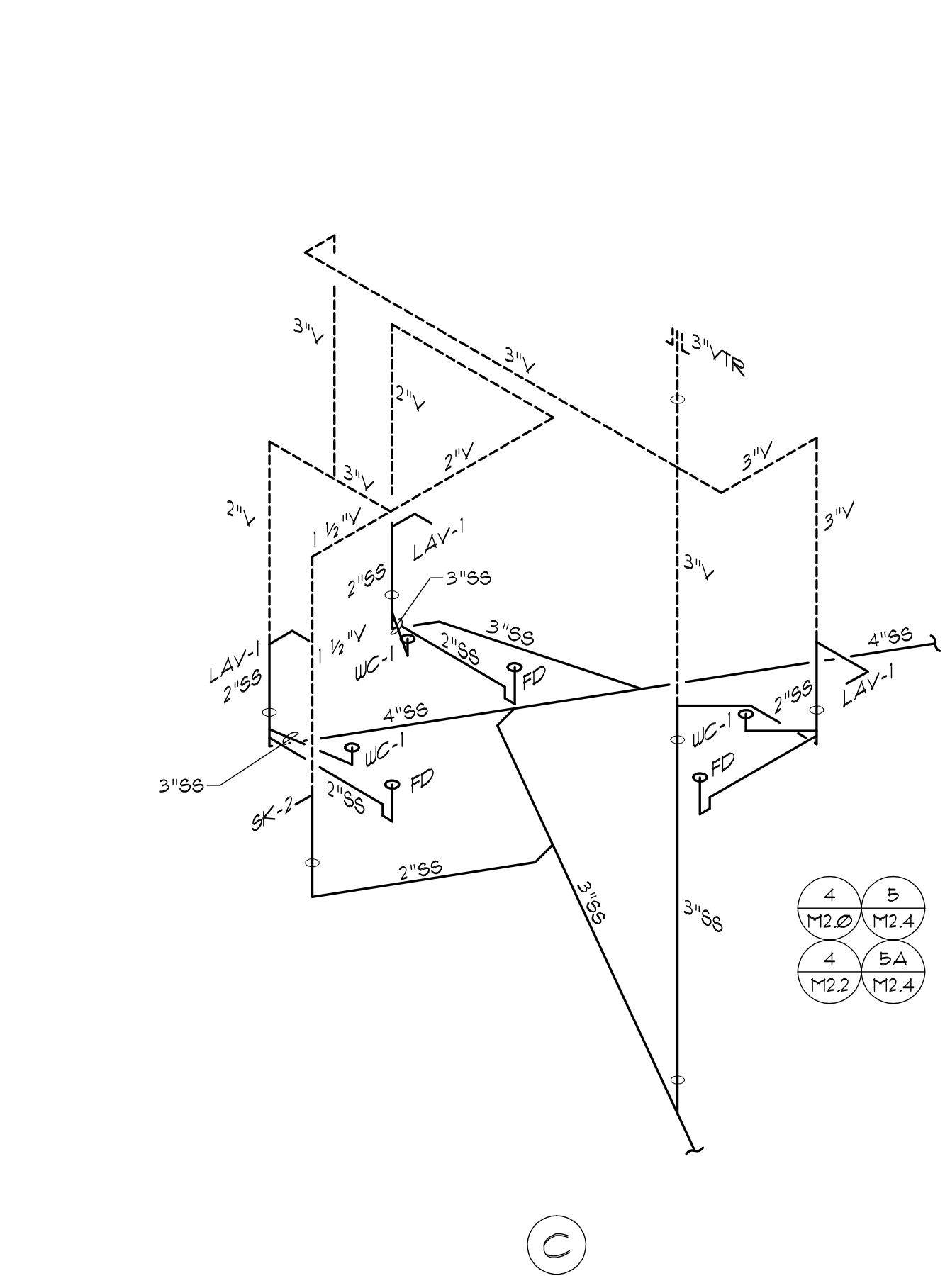
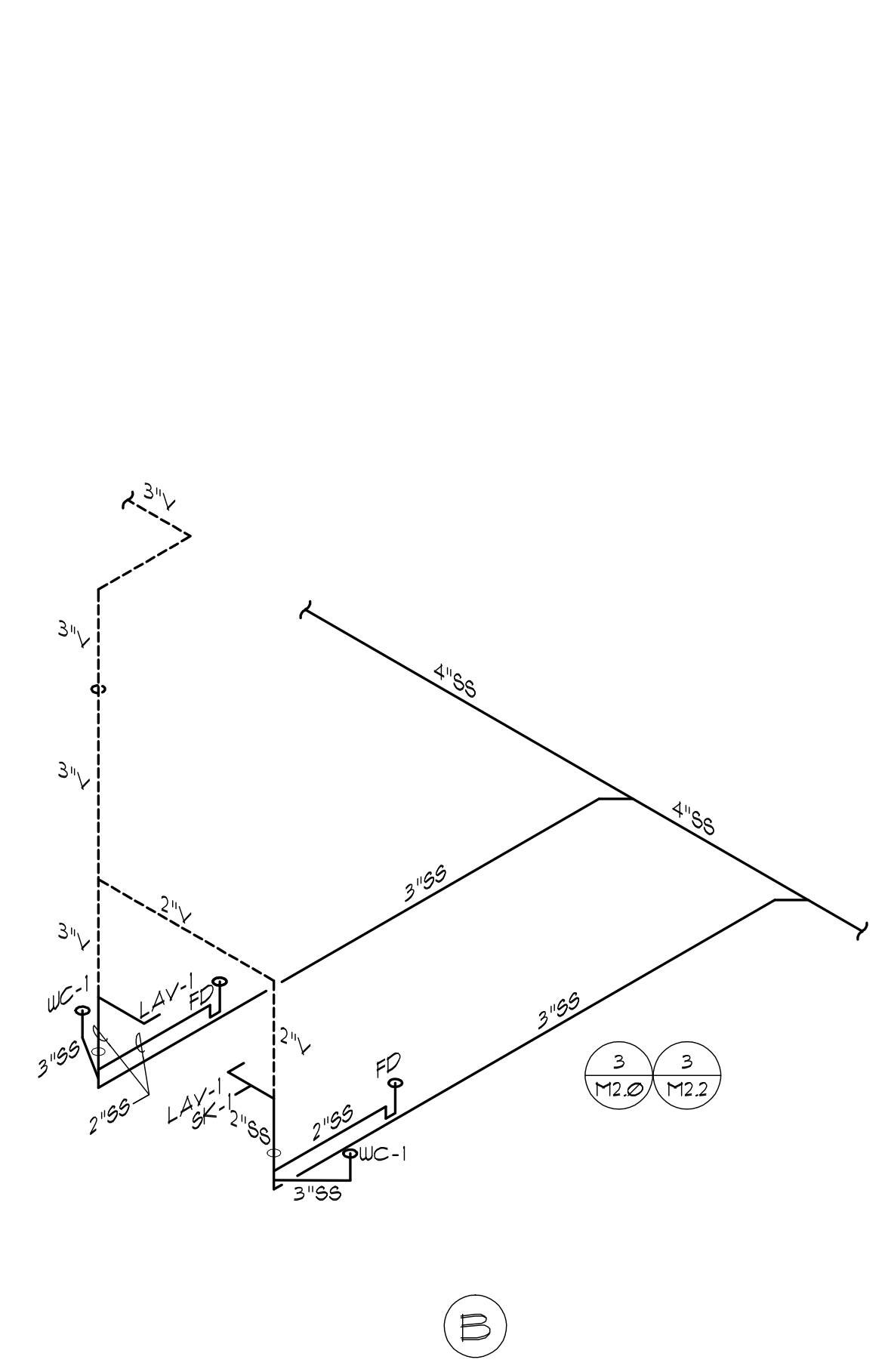
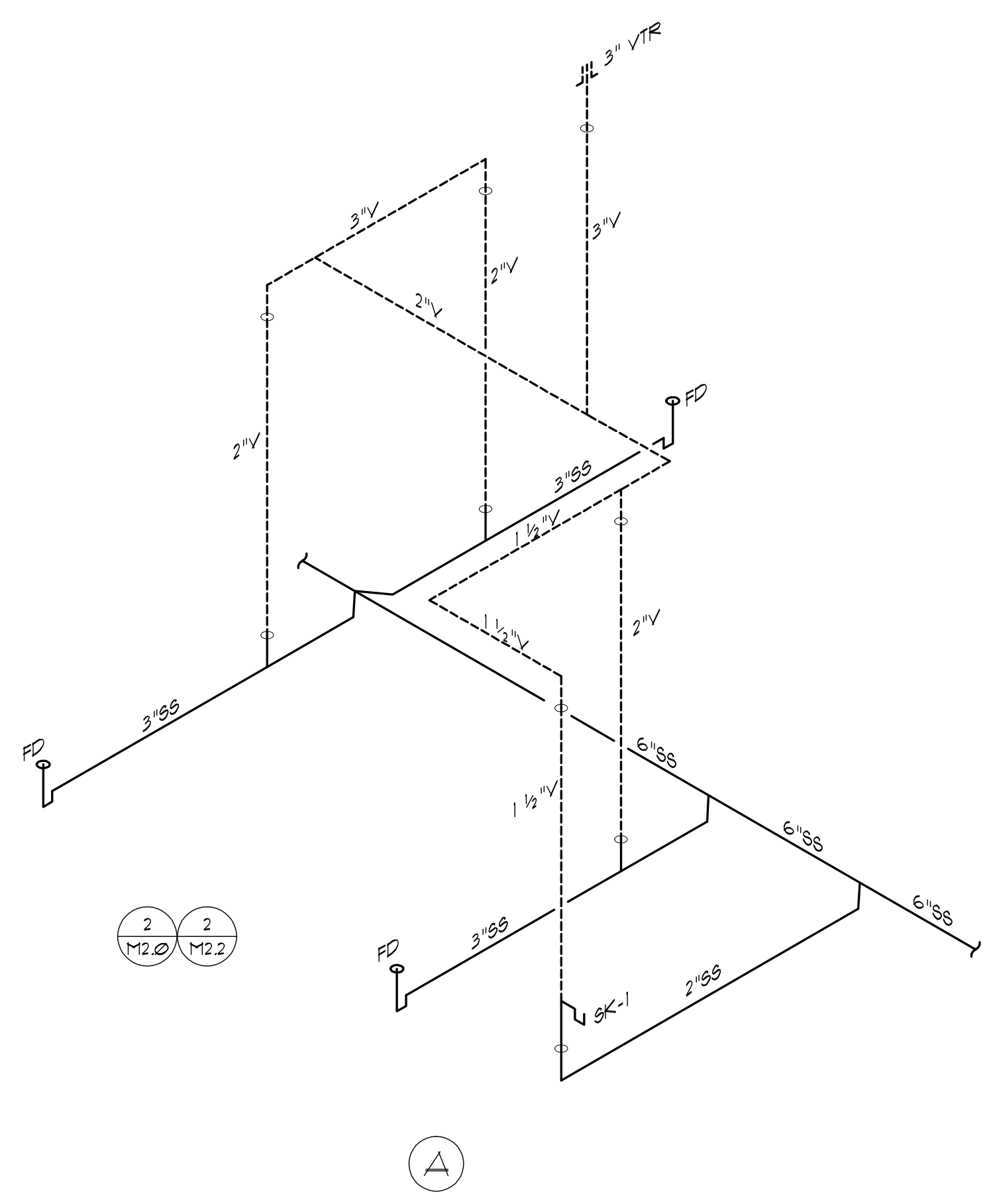
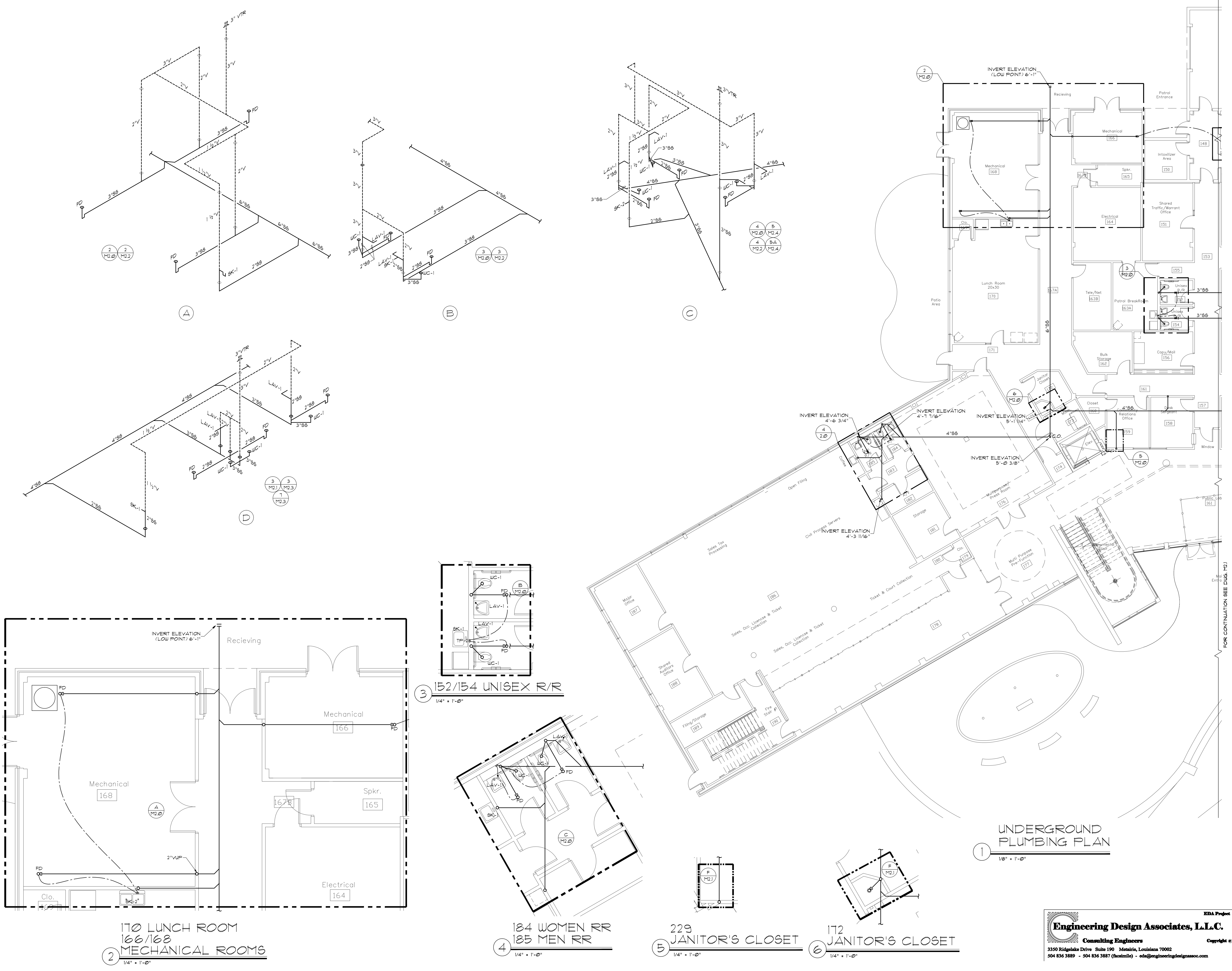
ST. TAMMANY PARISH SHERIFF'S OFFICE
BROWNSWITCH ROAD
SLIDELL, LOUISIANA

CONSTRUCTION DOCUMENTS

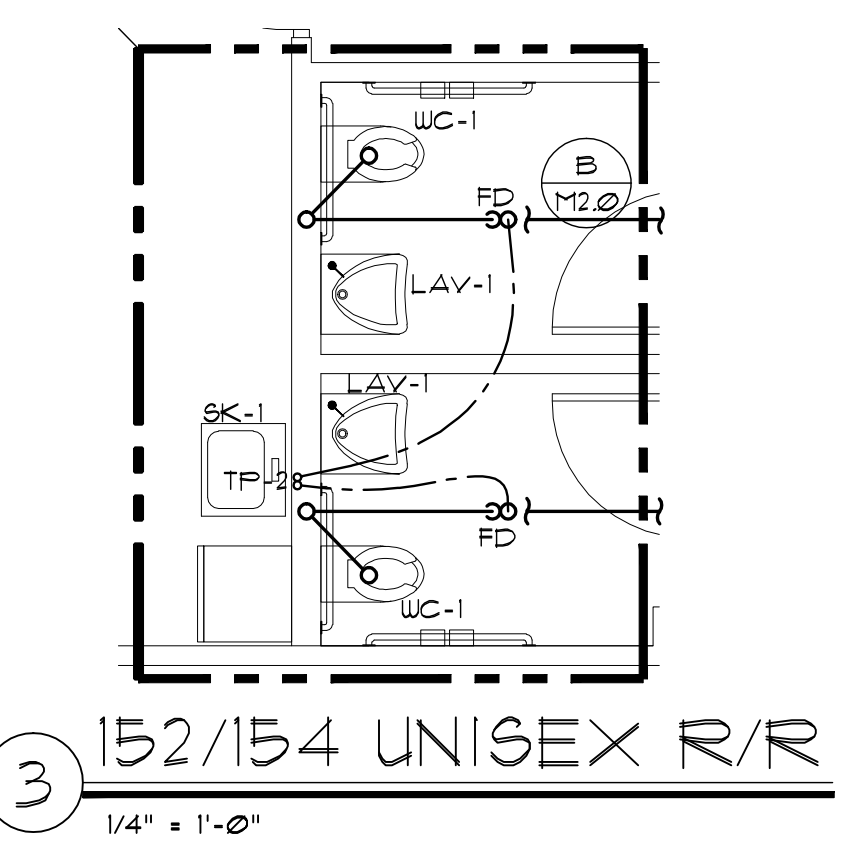


PLUMBING PLAN
UNDERGROUND
Sheet Number:

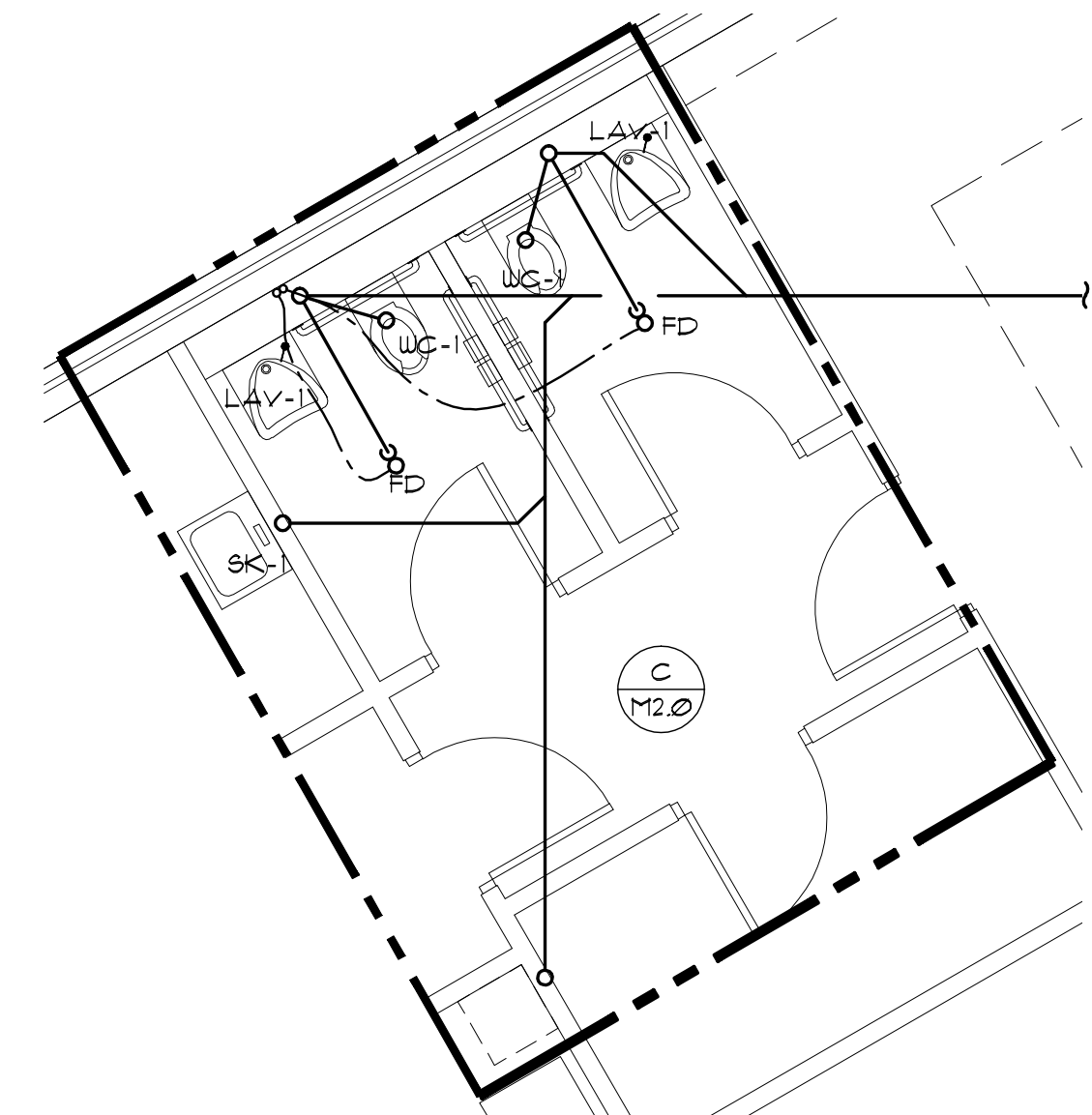
M-2.0



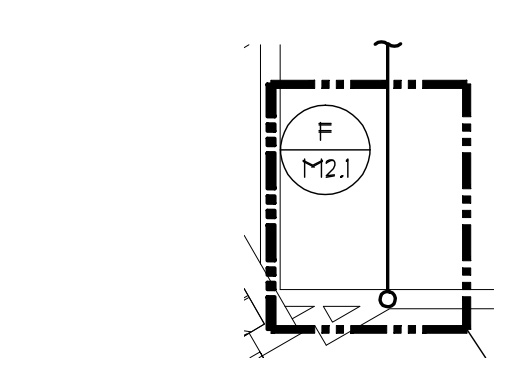
170 LUNCH ROOM
166/168
MECHANICAL ROOMS
2
1/4" = 1'-0"



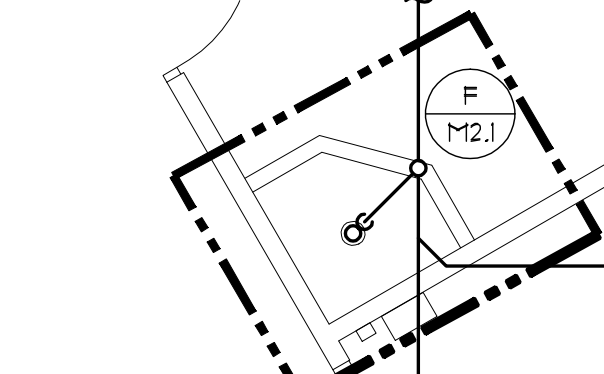
152/154 UNISEX R/R
3
1/4" = 1'-0"



184 WOMEN RR
185 MEN RR
4
1/4" = 1'-0"



229 JANITOR'S CLOSET
5
1/4" = 1'-0"



172 JANITOR'S CLOSET
6
1/4" = 1'-0"

1
1/8" = 1'-0"
UNDERGROUND PLUMBING PLAN

FOR CONTINUATION SEE DUG. 172