

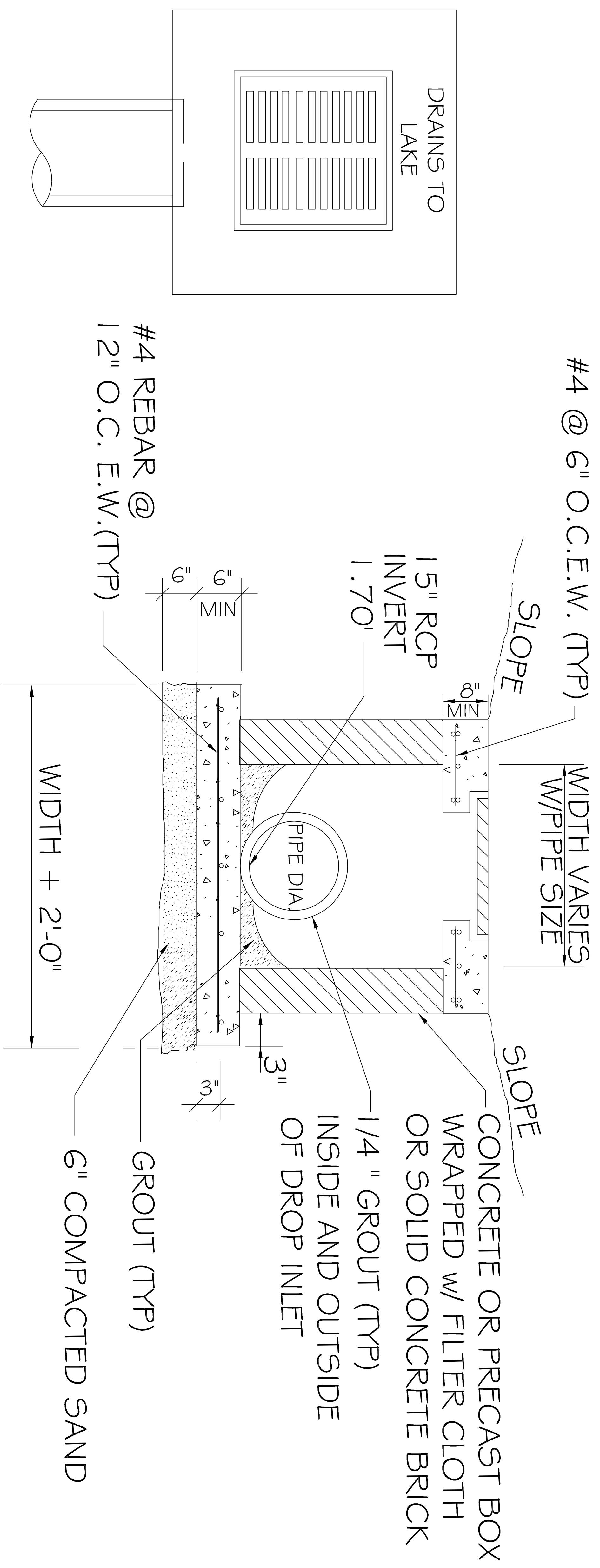
DROP INLET NOTES:

FRAME SHALL BE VULCAN FOUNDRY, DENHAM SPRINGS, LOUISIANA; DEWS FOUNDRY, HATTIESBURG, MISSISSIPPI; OR APPROVED EQUAL. FRAME AND COVER SHALL WEIGH NOT LESS THAN THREE HUNDRED TWENTY (320) POUNDS FOR STANDARD TYPE. CASTINGS FOR MANHOLE FRAMES, COVERS, AND ALL OTHER IRON CASTINGS REQUIRED SHALL BE OF TOUGH GRAY IRON FROM INJURIOUS DEFECTS. THE ANNULAR BEARING PLANES SHALL BE GROUND OR MACHINED SO THEY WILL NOT ROCK OR RATTLE WHEN CROSSED BY TRAFFIC.

ALLOWANCE SHALL BE MADE IN THE PATTERNS SO THAT THE THICKNESS REQUIRED WILL NOT BE REDUCED BY GRINDING OR MACHINING. COVERS SHALL FIT THE FRAME ACCURATELY IN ANY POSITION. DRAINAGE MANHOLE COVER SHALL HAVE THE WORD "DRAINS TO LAKE" IMPRINTED ON TOP.

INSIDE AND OUTSIDE OF CATCH BASIN SHALL BE SEALED WITH GROUT. AFTER GROUTING, STRUCTURE SHALL BE COMPLETELY WRAPPED WITH FILTER CLOTH AROUND ALL WALLS. THE FILTER CLOTH SHALL BE FASTENED TO PREVENT MOVEMENT DURING BACKFILLING. FILTER CLOTH FABRIC SHALL BE AN APPROVED GEOTEXTILE FILTER FABRIC CAPABLE OF RETAINING THE SOIL. THE FILTER SHALL BE MIRAFI 700 X 4 OZ. OR AN APPROVED EQUAL (EXCEPT ON NON-GASKETED JOINTS, WHICH SHALL BE 8 OZ.).

GRANULAR BACKFILL IN 6 PROCTOR OR TO SATISFY FIELD REP. AND SOD. _____



TYPICAL DROP INLET

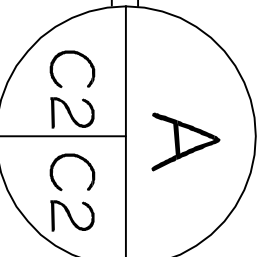
NTS

SECTION DROP INLET

NTS

SECTION

SCALE: N.T.S.



NOTES:

1. ALL GEOTEX OF PIPE DIA DRAIN PIPE,
2. ADDITIONAL
3. TIMBER PLA