

- ADA Compliant Hands-Free Activation
- c/UPC Certified
- Capacitive Sensing Omni-Directional Detection Zone
- 6 VDC Control Powered by (4) 'D'-Cell Alkaline Batteries (included)
- Optional 100-120 VAC Plug-in Adapter
- Optional 100-120 VAC 6-Unit Plug-In Adapter
- Includes 4" Anti-Rotational Trimplate

Specifications

Component Operation

6VDC battery-powered control powered by (4) "D"-cell alkaline batteries (included). Average battery life: 500,000 activations. Optional 100-120 VAC plug-in adapters are available for both single and multi-faucet applications.

Flow Control/Rate

Operating water pressure range is 20-80 psi. Flow regulator keeps flow rate constant at all pressures. The flow is laminar at a rate of .5 gpm.

Body

Chrome plated solid brass body. Centershank or 4" centerset mounting (with included trimplate). 8" trimplate available separately.

Standard Equipment

The Aerada 1200 Series CS faucet creates an omni-directional detection zone utilizing capacitive sensing technology. The capacitive sensing field triggers faucet activation only when a significant change in the capacitive field occurs. Only human presence will create a significant change in the capacitive field. As such, inanimate objects will not trigger faucet activation. The faucet is unaffected by varying skin tones, other infrared presence and soap scum build-up.

Valve

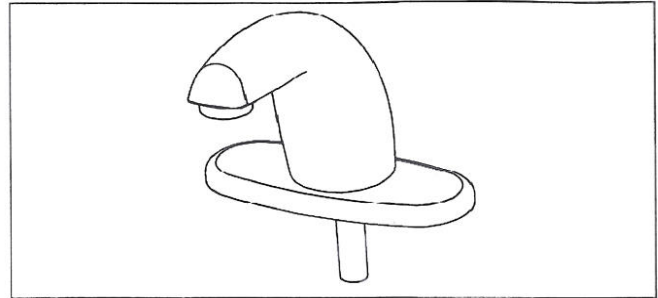
The electronically activated motor driven valve provides reliable performance since there are few moving parts. Valve includes an in-line filter to trap debris and is unaffected by most chemicals and minerals found in municipal water supplies. Valve features a factory-set maximum water run-on duration of 15 seconds. Valve control module features a manual override control for applications requiring periodic flushing of the water lines. The valve and electronics are enclosed in a water-resistant housing mounted below the fixture.

Sample Specification

Hands-free capacitive sensing faucet shall be Bradley Aerada™ 1200 Series CS faucet (S53-315). Capacitive sensing technology creates an omni-directional detection zone enabling faucet activation to occur regardless of angle of approach and requires no infrared sensors. The faucet will only activate when human presence enters the detection zone; inanimate objects will not cause faucet activation. The omni-directional detection zone is automatically calibrated when power is initially supplied to the faucet. The 6 VDC faucet is powered by (4) 'D'-cell alkaline batteries (included) concealed inside a remotely located battery box. The electronically activated motor control valve is enclosed in a water-resistant housing mounted beneath the fixture. Valve control module to have maximum water run on duration of 15 seconds providing increased water conservation. Faucet shall feature chrome-plated solid brass spout with centershank, or 4" centerset mounting with included anti-rotational trimplate. Faucet shall be c/UPC approved.

Plumbing Fixtures
Document No. 3048

Page 1 of 1
This information is subject to change without formal notice.
9/15/2008



Models

Faucet with Trim Plate:

- S53-315** Aerada 1200 Series CS Faucet

Optional Selections

Trimplate:

- 159-428** 8" Trimplate and Hardware

Plug-in Adapter:

- 153-443** 100-120 VAC plug-in adapter (Single Faucet)
- 153-444** 100-120 VAC 6-Unit adapter (2-6 Faucets)
- 269-1841** Wire for 6-Unit Adapter (1 per faucet)

Water Supply:

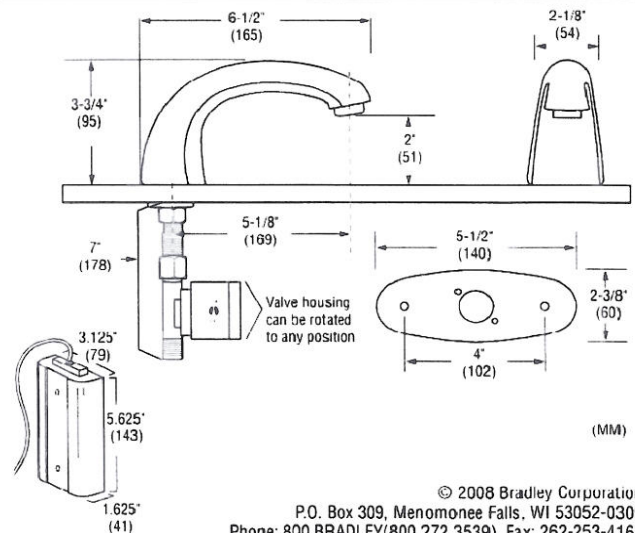
- S59-4004XS** TMA Vernatherm™ Thermostatic Mixing Valve Pre-Pack
- S45-2081** TL Single Tempered Line w/ Stop, Strainer, Check Valves

Temperature Selection Valve:

- S01-515** MM2, User-Adjustable Mixing Valve, High Flow, 3 GPM

Drain Assembly:

- 269-1231** D-ASSY. Drain, Strainer, and Tailpiece



© 2008 Bradley Corporation
P.O. Box 309, Menomonee Falls, WI 53052-0309
Phone: 800.BRADLEY(800.272.3539) Fax: 262-253-4161
bradleycorp.com

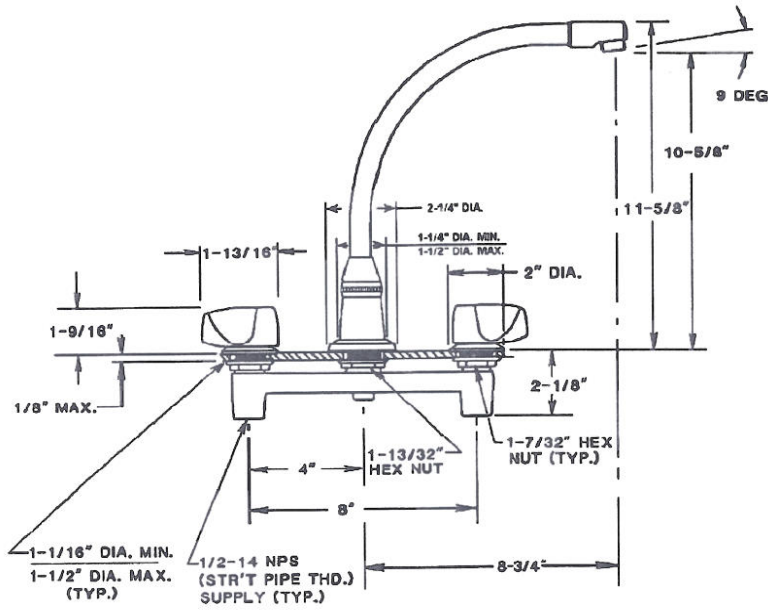


FAUCET GROUP

JWF-200

CONCEALED LEDGEMOUNT

SUBMITTAL DATA



TECHNICAL DATA CONSTRUCTION:

- Concealed ledgemount on 8 inch centers
- Cast brass body
- High rise swing spout with 10-5/8" clearance
- Replaceable seats
- Brass quarter turn stem units
- Chrome plated die cast teardrop handles
- Equipped with water saving aerator
- Conforms to ANSI standard 112.18.1
- Certified to NSF/ANSI 61

FINISH
Polished chrome plate

FLOW RATE
2.2 GPM flow restricting aerator

A.D.A. COMPLIANCE
Yes

VARIANTS
JWF-200-R70° - Restricted swing high rise spout
JWF-201 = JWF-200 w/ hose & spray

OPTIONS

- HANDLES**
- 4" Wrist Blades "W4"
 - 6" Wrist Blades "W6"
 - Canopy Type "C" (not ADA)
 - Acrylic "P" (not ADA)
- AERATOR**
- Duo Stream Swivel "B"
 - Rose Spray "J-RS"
- VANDAL RESISTANT**
- Aerator "VR-A"
 - Handles "VR-H"

Job Name _____
Customer _____
Architect/Engineer _____
APPROVED FOR MANUFACTURING
MODEL NO. _____ QTY. _____
COMPANY _____
TITLE _____ DATE _____
SIGNATURE _____

REVISEC-5/2004

JUST MFG. COMPANY CONTINUES TO MAKE QUALITY AND FUNCTIONALITY A MARK OF THE JUST PRODUCT LINE. TO DO SO REQUIRES THAT WE RESERVE THE RIGHT TO CHANGE PRODUCT INFORMATION WITHOUT NOTICE. DIMENSIONS MAY VARY AND ARE SUBJECT TO CHANGE WITHOUT NOTICE. NO RESPONSIBILITY IS ASSUMED FOR USE OF SUPERCEDED OR VOIDED DATA. FOR THE MOST CURRENT AND ACCURATE INFORMATION REGARDING THE COMPLETE LINE OF JUST SINKS, FAUCETS AND DRAINS, CLICK ON THE SPEC LINE DRAWINGS LINK ON OUR WEB SITE AT www.justmfg.com

JUST MANUFACTURING COMPANY

9233 KING STREET . FRANKLIN PARK . ILLINOIS . 60131-2111

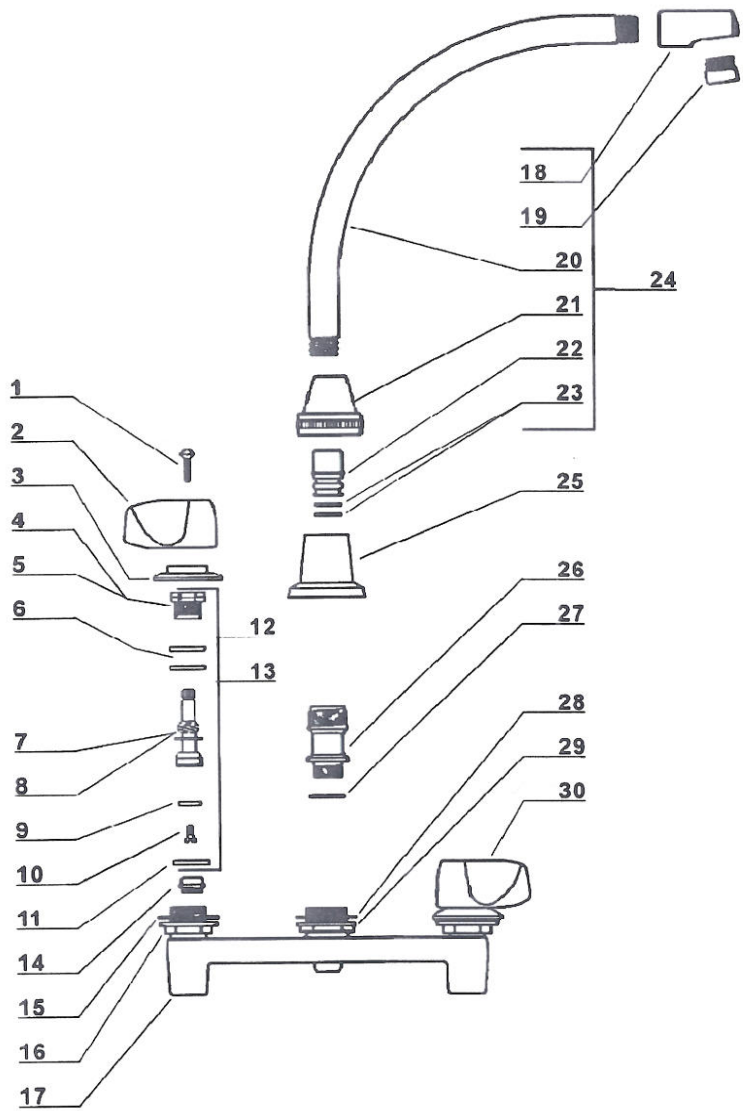
PH: 847-678-5150 . FAX: 847-678-6817

E-MAIL: custserv@justmfg.com . www.justmfg.com



FAUCET GROUP

CONCEALED LEDGEMOUNT



Item No.	Part No.	Description
1	107-H	Handle Screw
2	519-L	Teardrop Handle
3	PF-524-J	Escutcheon
4	454-EWC	Bonnet (Cold Side)
5	454-EWH	Bonnet (Hot Side)
6	1038-453	O-Ring
7	454-FL	Stem (Left Side)
8	454-FR	Stem (Right Side)
9	901-WN	Seat Washer
10	104	Seat Washer Screw
11	1028-Y	Gasket
12	SU-454-EL	Stem & Bonnet Assembly (Left)
13	SU-454-ER	Stem & Bonnet Assembly (Right)
14	263-C	Replaceable Seat
15	491-U	Corner Gasket
16	53-AS	Locknut
17	1959-J	Body
18	PF-1550-J	Adapter
19	30-L	Aerator
20	PF-357-JHR	Waterfall Spout
21	PF-782-JES	Spout Nut
22	PF-741-DO	Adaptor
23	1038-K	"O" Rings
24	SU-357-WSA	Waterfall Spout Assembly
25	1012N	Escutcheon
26	2985-J	Centerpiece
27	402-J	Washer
28	491-S	Gasket
29	53-BS	Locknut
30	519-R	Teardrop Handle

JUST MFG. COMPANY CONTINUES TO MAKE QUALITY AND FUNCTIONALITY A MARK OF THE JUST PRODUCT LINE. TO DO SO REQUIRES THAT WE RESERVE THE RIGHT TO CHANGE PRODUCT INFORMATION WITHOUT NOTICE. DIMENSIONS MAY VARY AND ARE SUBJECT TO CHANGE WITHOUT NOTICE. NO RESPONSIBILITY IS ASSUMED FOR USE OF SUPERCEDED OR VOIDED DATA. FOR THE MOST CURRENT AND ACCURATE INFORMATION REGARDING THE COMPLETE LINE OF JUST SINKS, FAUCETS AND DRAINS, CLICK ON THE SPEC LINE DRAWINGS LINK ON OUR WEB SITE AT www.justmfg.com

JUST MANUFACTURING COMPANY
 9233 KING STREET . FRANKLIN PARK . ILLINOIS . 60131-2111
 PH: 847-678-5150 . FAX: 847-678-6817
 E-MAIL: custserv@justmfg.com www.justmfg.com

COMFORT HEIGHT® TOILET K-3589

Features

- Vitreous china
- Elongated bowl
- Class Five® flushing system
- Available with KOHLER Artist Editions designs
- Less seat and supply
- 12" (305 mm) rough-in
- 1.6 gpf (6 lpf)
- 2-1/8" (54 mm) glazed trapway
- 10-1/2" (267 mm) x 7-1/8" (181 mm) water area
- 28-3/4" (730 mm) x 17-5/8" (447 mm) x 30-3/4" (781 mm)

ADA CSA B651 OBC



Codes/Standards Applicable

Specified model meets or exceeds the following:

- ADA
- ICC/ANSI A117.1
- CSA B651
- OBC
- ASME A112.19.2/CSA B45.1

Colors/Finishes

- 0: White
- Other: Refer to Price Book for additional colors/finishes

Accessories

- 0: White
- CP: Polished Chrome
- PB: Vibrant® Polished Brass
- Other: Refer to Price Book for additional colors/finishes

Specified Model

Model	Description	Trip Lever	Colors/Finishes
K-3589	Comfort Height toilet	left-hand	<input type="checkbox"/> 0 <input type="checkbox"/> Other _____
K-3589-RA	Comfort Height toilet	right-hand	<input type="checkbox"/> 0 <input type="checkbox"/> Other _____
K-3589-T	Comfort Height toilet, tank lock	left-hand	<input type="checkbox"/> 0 <input type="checkbox"/> Other _____
K-3589-TR	Comfort Height toilet, tank lock	right-hand	<input type="checkbox"/> 0 <input type="checkbox"/> Other _____

Recommended Accessories			
K-4664	Brevia™ seat with cover	<input type="checkbox"/> 0	<input type="checkbox"/> Other _____
K-4660	Lustra™ open front toilet seat – for Accessibility compliance	<input type="checkbox"/> 0	<input type="checkbox"/> Other _____

Product Specification

The elongated bowl toilet shall be made of vitreous china. Toilet shall be 28-3/4" (730 mm) in length, 17-5/8" (447 mm) in width, and 30-3/4" (781 mm) in height with a 10-1/2" (267 mm) x 7-1/8" (181 mm) water area. Toilet shall be 12" (305 mm) rough-in and 2-1/8" (54 mm) glazed trapway. Toilet shall be 1.6 gpf (6 lpf) with Class 5® flushing system. Toilet shall be available with KOHLER Artist Editions designs. Toilet shall be less seat and supply. Toilet shall be Kohler Model K-3589-_____.

CIMARRON®

Recommended Accessories (Cont.)

K-7637 3/8" Angle supply with stop

CP

PB

Other _____

Technical Information

Fixture:	
Configuration	two-piece, elongated
Water per flush	1.6 gal (6 L)
Passageway	2-1/8" (54 mm)
Water area	10-1/2" (267 mm) x 7-1/8" (181 mm)
Water depth from rim	6-1/8" (156 mm)
Seat post hole centers	5-1/2" (140 mm)

Included components:	
Bowl	K-4309
Tank	K-4418
Tank cover	1086929
Trip lever, left-hand	1059436
Tank accessory pack	1016548
Bolt cap accessory pack	1013092

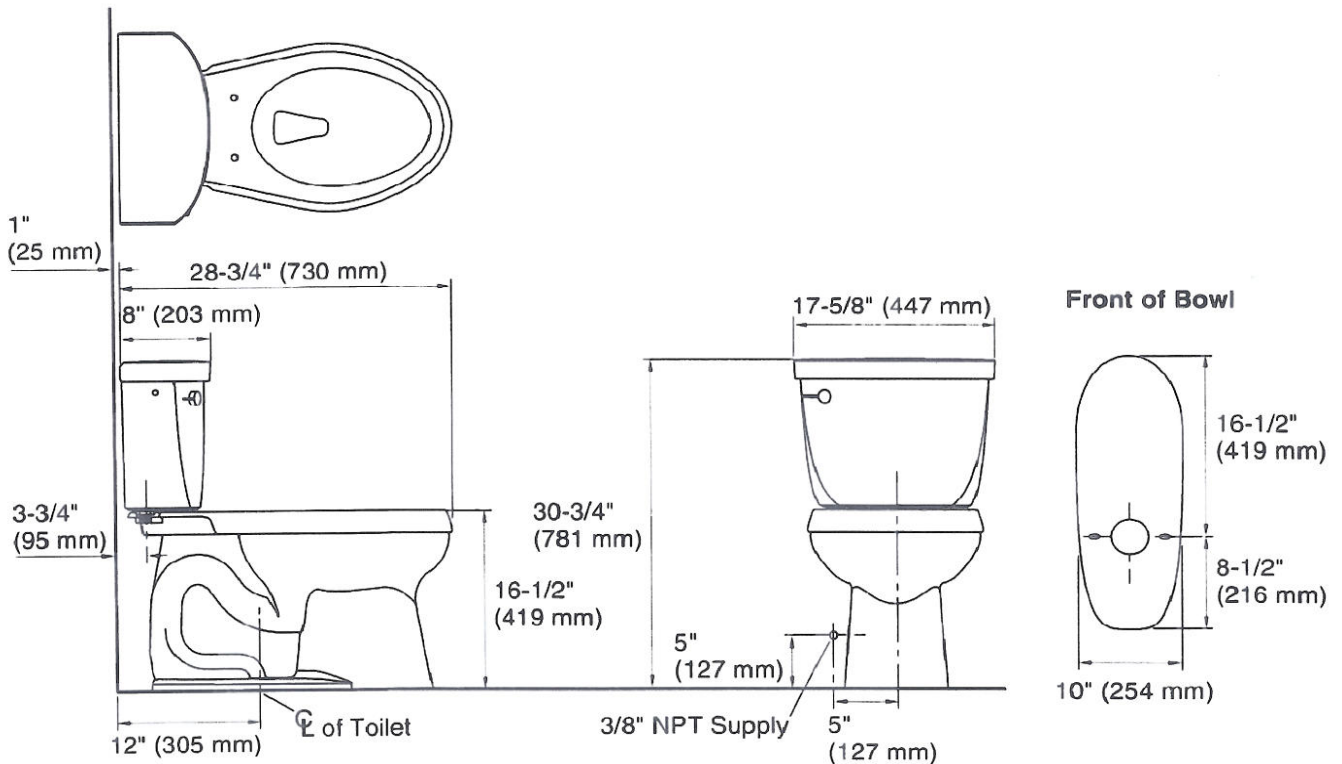
Installation Notes

Install this product according to the installation guide.

Will comply with the American Disabilities Act (ADA) when installed per the requirements of the Accessibility Guidelines, Section 604 Water Closets, of the Act, which include the installation of an open front seat.

Will comply with **CSA B651** when installed per Clause 4.3.6 of the standard.

Will comply with **OBC Barrier Free** requirements when installed per Clause 3.8.3.8 and 3.8.3.9.



Product Diagram

Z5360-PED 20" x 18" High Back Lavatory with Half Pedestal

Z5360-PED Series

- 20" x 18" [508mm x 457mm]
- 4" high backsplash
- Vitreous china
- Faucet holes for single, 4", or 8" centers
- Wall hung lavatory provided with wall hanger or for use with concealed arm carrier systems
- Vitreous china half pedestal
- Front overflow
- Waste: 1-1/4" O.D.
- Depth: 5-3/4"
- Shipping Weight: 49 lbs.


Engineering Specification

- Z5361-PED** 20" x 18" vitreous china wall hung lavatory with single faucet hole and vitreous china half pedestal that conceals traps and supplies. Provided with hanger plate and holes for concealed arm carrier systems.
- Z5364-PED** 20" x 18" vitreous china wall hung lavatory with 4" center faucet holes and vitreous china half pedestal that conceals traps and supplies. Provided with hanger plate and holes for concealed arm carrier systems.
- Z5368-PED** 20" x 18" vitreous china wall hung lavatory with 8" center faucet holes and vitreous china half pedestal that conceals traps and supplies. Provided with hanger plate and holes for concealed arm carrier systems.

Suffix Options

- CB** Cast ductile bracket.

Fixtures meet ASME A112.19.2 and CSA B45 standard requirements.

 Meets the American Disabilities Guidelines and ANSI A117.1 requirements when lavatory is installed 34" [864mm] from finished floor.

See Zurn One Systems for suggested packages.



Z5360-PED Series 20" x 18" high back wall hung lavatory shown with Z831RA widespread faucet (sold separately).

Recommended Trim

- Z8743-PC** Grid Strainer
- Z8700** Series P-Trap
- Z8800** Series Stop with Flexible Supplies
- Z8946-1-NT** ADA Trap, Stop, and Supply Protectors

Optional Trim

- Z8746-PC** ADA Grid Strainer
- Z8946-3-NT** ADA Trap, Stop, and Supply Protectors for Offset Grid Strainers

This Space is for Architectural/Engineering Approval

Zurn Industries, LLC Commercial Brass and Fixtures Operation

2640 South Work Street · Falconer, NY 14733 · Phone: 716-665-1132 · Fax: 716-665-1135 · www.zurn.com



STYLIST GROUP

SPECIFICATION

Seamless die-drawn construction of type 304, 18-8 stainless steel. Interior and top surfaces polished to a non-porous Hand-Blended Just Finish with high-lighted bowl rim. Fully coated underside insulates for sound, and absorbs condensation. Straight-sided compartment with $1\frac{3}{4}$ " radius corners provides greater capacity. Self-rimming top mount Grip-Rim Plus with 300 series stainless steel mounting channels. Conforms to ASME/ANSI A112.19.3M. Drain punch #35 centered for Just J-35 unless otherwise specified.

TYPE 316 STAINLESS STEEL(check if applicable)



**AVAILABLE
ADA COMPLIANT**

Most 18 gauge units are available in depths 4 1/2" to 6 1/2" to accommodate installation compliant with "ADA" requirements. Refer to the Drop-In ADA section of your standard Just binder for detailed information.

To be specified :

■ **Faucet hole punching:**

- (1) Hole Centered
- (2) Holes on 4" centers
- (3) Holes on 4" centers(illustrated)
- (4) Holes on 4" centers
- Alternate Punching:
Faucet Model: _____
Punching required: _____

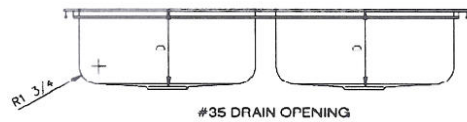
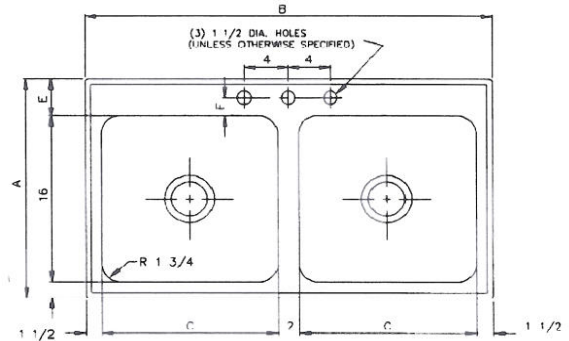
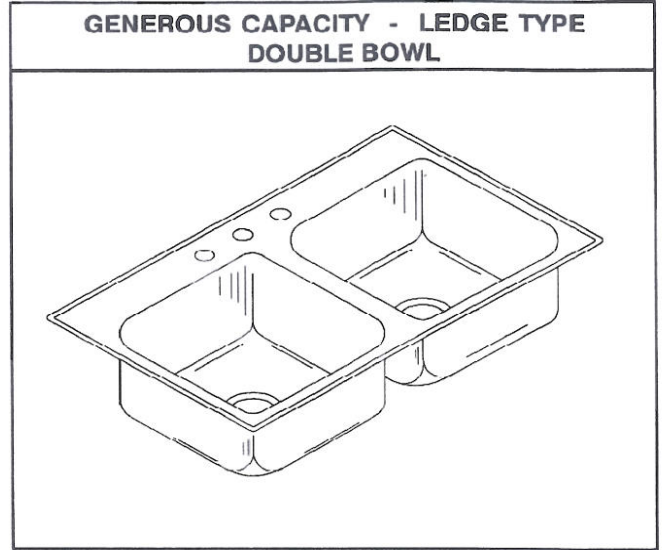
MODEL NO.	A	B	C	D	E	F	CUTOUT*
DL-2133-A-GR**	21	33	14	8	3-1/2	1-3/4	20-1/4 x 32-1/4
DL-2137-A-GR	21	37	16	7-1/2	3-1/2	1-3/4	20-1/4 x 36-1/4
DL-2143-A-GR	21	43	19	7-1/2	3-1/2	1-3/4	20-1/4 x 42-1/4
DL-2233-A-GR**	22	33	14	8	4-1/2	2	21-1/4 x 32-1/4
DL-2237-A-GR	22	37	16	7-1/2	4-1/2	2	21-1/4 x 36-1/4
DL-2243-A-GR	22	43	19	7-1/2	4-1/2	2	21-1/4 x 42-1/4

* Cutout dimensions shown (Front to Back) x (Left to Right) - Corners of cutout may be square or up to 1/2" radius.

** This model has 1 1/8 center partition and 1 15/16 end flanges.

FUNCTIONAL DESIGN, QUALITY, AND SPECIFICATIONS LISTED DESCRIBE THE JUST STANDARD OF QUALITY WHEN MAKING COMPARISONS WITH OTHER OFFERINGS. INSIST ON THE JUST QUALITY OF CONSTRUCTION. FOR ADDITIONAL INFORMATION REGARDING THE COMPLETE LINE OF JUST SINKS, FAUCETS AND DRAINS, VISIT OUR WEB SITE AT www.justmfg.com

DL - SERIES - A - 18 GA. GENEROUS CAPACITY - LEDGE TYPE DOUBLE BOWL



Job Name _____
Customer _____
Architect/Engineer _____

APPROVED FOR MANUFACTURING

MODEL NO. _____ QTY. _____

COMPANY _____

TITLE _____ DATE _____

SIGNATURE _____

JUST MANUFACTURING COMPANY

9233 KING STREET . FRANKLIN PARK . ILLINOIS . 60131-2111

PH: 847-678-5150

FAX: 847-678-6817

E-MAIL: custserv@justmfg.com

www.justmfg.com

REVISED-5/2004

SUBMITTAL DATA



120, 208, 240,
277 and 480
voltages



Available in Sizes Ranging From 2-1/2 – 30 Gallon Tank-Type Models

► 1440 Watts thru 6000 Watts

Rheem-Ruud point-of-use electric commercial water heaters are designed to provide hot water at the consumption point, eliminating costly temperature loss in long piping runs. Well suited for a wide variety of applications, point-of-use heaters are small enough for installation in limited spaces under counters, mop sinks, cabinets, or any remote area where modest quantities of hot water are required. They are ideally suited for applications in retail stores, public restrooms, office washrooms, kitchen and mop or bar sinks.

Construction Features:

- **Long life tank design** – proprietary steel formulation with a unique coat of high temperature porcelain enamel to maximize corrosion resistance resulting in a superior tank design. A patented R-Tech anode rod provides advanced technology; equalizing aggressive water action while prolonging the effective life of the anode rod and in turn the life of the tank.
- **Long life heating elements** – Our patented resistor elements are designed with a specially treated, double layer of magnesium oxide and copper to resist corrosion.
- **Efficient design** – Rigid polyurethane foam insulation provides superior insulating qualities resulting in reduced operating costs.
- **Optional wall mounting kit** – The wall mounting kit provides an easy way to mount the unit off the floor, out of the way for more useable floor space in a small area. Each kit is designed to be used on walls with 16" stud centers. All necessary parts are included in this easy to install kit. (Note: The 2-1/2 gallon model comes standard with a wall mounting kit.)
- **Automatic temperature control** – A surface mounted thermostat automatically cycles on and off to maintain the water temperature at a desired preset level.
- **Temperature limiting control** – Automatically and safely cuts off the power in the unlikely event that the water temperature exceeds 190°F.
- **Temperature and pressure relief valve** – AGA/ASME rated and factory installed.

Certifications and Ratings:

- **Efficiency** – these models meet or exceed thermal efficiency and standby loss requirements of current ASHRAE standards. (Part of the Federally mandated Energy Policy Act (EPact)). Also exceeds energy efficiency codes of all states including California Energy Commission (CEC).
- **Safety and construction** – these products are design certified by Underwriters Laboratories (UL) to meet UL standard 174 as electric storage tank water heaters. All models are North Carolina Code compliant. **CERTIFIED FOR A 150 PSI MAXIMUM WORKING PRESSURE.**

Point-Of-Use continued.

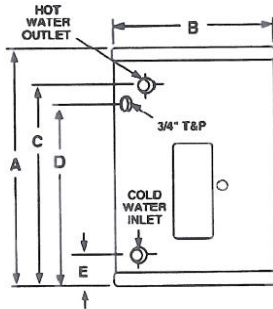
DIMENSIONAL INFORMATION (All dimensions shown in English and Metric)																	
MODEL NUMBER	MIN WATTS	MAX WATTS	TANK CAPACITY		A		B		C		D		E		APPROXIMATE SHIPPING WEIGHT		
			GALLONS	LITERS	inches	mm	inches	mm	inches	mm	inches	mm	inches	mm	LBS.	KGS.	
EGSP2	1,440	1,500	2.5	9	14	356	9-3/4	248	—	—	—	—	—	—	18	8	
EGSP6	1,500	6,000	6	23	15-1/8	384	15-3/4	400	12-5/8	321	11-5/8	295	4-1/4	108	41	19	
EGSP10	1,500	6,000	10	38	22-7/8	581	15-3/4	400	20-3/8	518	19-3/8	492	4-1/4	108	53	24	
EGSP15	1,500	6,000	15	57	24-1/4	616	17-3/4	451	21-7/8	556	19-3/8	492	4-5/8	117	65	29	
EGSP20	1,500	6,000	19.9	75	25-1/8	638	19-3/4	502	22-5/8	575	19-3/8	492	5-1/8	130	76	34	
EGSP30	1,500	6,000	30	114	30	762	21-3/4	533	23	584	23	584	2-3/4	70	115	52	
Water Temperature Ratings:			Thermostat Type: Surface Mounted					Minimum Temperature: 110°F (43.3°C)			Maximum Temperature: 170°F (76.7°C)			High Temperature Limit: 190°F (87.8°C)			

NOTE: Basic model numbers are listed. When ordering, specify electrical input and kW to determine specific model number.

MODELS:

- EGSP6
- EGSP10
- EGSP15
- EGSP20
- EGSP30

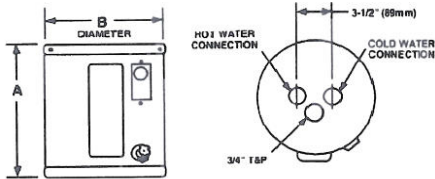
Water Connections
3/4" NPT



MODEL:

- EGSP2

Water Connections
1/2" NPT



Recommended Specifications:

Water heater(s) shall be model _____, manufactured by RHEEM-RUUD, having electrical input of _____ kW and a recovery rate of _____ GPH at a 100°F temperature rise. Water heater(s) shall have a storage capacity of _____ gallons. Water heater(s) shall have the UL seal of certification and be factory equipped with an AGA/ASME rated temperature and pressure relief valve. Tank(s) interior shall be coated with a high temperature porcelain enamel and furnished with an R-Tech resistored magnesium anode rod rigidly supported. Water heater(s) shall meet or exceed the energy factor requirements of ASHRAE. Tanks shall have a working pressure rating of 150 psi, and shall be completely assembled. Water heater(s) shall be equipped with a copper, resistored, "screw-in" type element. Tank shall be insulated with rigid polyurethane foam insulation. Water heater(s) shall be equipped with a surface mounted thermostat with an integral, manual reset, high limit control. Water heater(s) shall be covered by a three year limited warranty against tank leaks.

Limited Warranty:

This product features a three year limited warranty against tank leaks. Please refer to Commercial Warranty Information brochure for complete warranty information.

PRODUCT AVAILABILITY

ELEMENT WATTAGE	SINGLE PHASE OPERATION ONLY				
	120 V	208 V	240 V	277 V	480 V
1,440	Y**	NA	NA	NA	NA
1,500	Y	Y	Y**	N/A	N/A
2,000	Y	Y	Y	Y	Y
2,500	Y	Y	Y	NA	NA
3,000	Y	Y	Y	Y	Y
4,500	NA	Y	Y*	Y*	Y*
6,000	NA	Y	Y	Y	Y

*Not available in EGSP6 & EGSP10

**EGSP2 available only in these configurations

ELECTRICAL CHARACTERISTICS

ELEMENT WATTAGE	SINGLE PHASE OPERATION ONLY – AMPS				
	120 V	208 V	240 V	277 V	480 V
1,440	12.0	NA	NA	NA	NA
1,500	12.5	7.2	6.3	N/A	N/A
2,000	16.7	9.6	8.3	7.2	4.2
2,500	20.8	12.0	10.4	NA	NA
3,000	25.0	14.4	12.5	10.8	6.3
4,500	NA	21.6	18.8	16.2	9.4
6,000	NA	28.8	25.0	21.7	12.5

All models employ 1 heating element resulting in a 2-wire outlet (single phase) electrical configuration.

RECOVERY CAPACITIES

Recovery in U.S. Gallons/Hr. (GPH) and Liters/Hr. (LPH) at Various Temperature Rises

ELEMENT WATTAGE	40°F (22°C)		60°F (33°C)		80°F (45°C)		100°F (56°C)		120°F (67°C)	
	GPH	LPH	GPH	LPH	GPH	LPH	GPH	LPH	GPH	LPH
	1,440	15	55	10	37	7	28	6	22	5
1,500	15	58	10	38	8	29	6	23	5	19
2,000	20	77	14	51	10	38	8	31	7	26
2,500	25	96	17	64	13	48	10	38	8	32
3,000	30	115	20	77	15	58	12	46	10	38
4,500	46	173	30	115	23	86	18	69	15	58
6,000	61	230	41	153	30	115	24	92	20	77



COMMERCIAL WATER HEATERS

In keeping with its policy of continuous progress and product improvement, Rheem-Ruud reserves the right to make changes without notice.

Rheem Water Heating • 101 Bell Road, Montgomery, Alabama 36117-4305 • www.rheem.com
Rheem Canada Ltd./Ltée, 128 Barton Street West, Hamilton, Ontario L8N 3P3