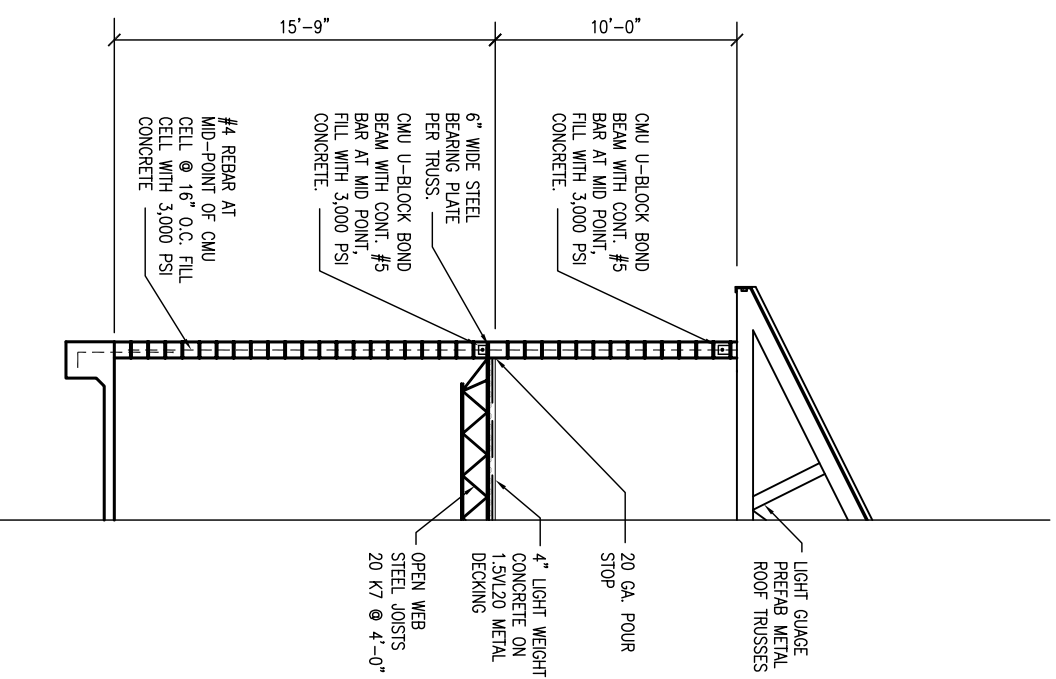
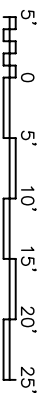
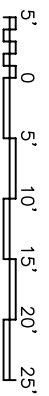




BUILDING CROSS SECTION
SCALE: 1/4"=1'-0"



CMU BUILDING CROSS SECTION
SCALE: 1/4"=1'-0"



		DEPARTMENT OF THE NAVY NAVAL FACILITIES ENGINEERING COMMAND NAVAL AIR STATION JACKSONVILLE MISSISSIPPI
		NAVY LODGE, NCBC GULFPORT BUILDING CROSS SECTION
ISS. & DATE: _____ REVISED BY: R. WILSON DRAWN: _____ CHECKED BY: _____ DATE: 28 APR 2010	DES. & DATE: _____ DRAWN: _____ CHECKED BY: _____ DATE: 28 APR 2010	SHEET OF S1.2
CODE ID. NO. _____ SCALE: AS SHOWN DRAWING NO. ##### FILE PROJ. NO. ##### WORK ORDER NO. _____ CONSTR. CONTR. NO. _____ NAVFAC DRAWING NO. _____	SHEET OF S1.2	DATE APPR