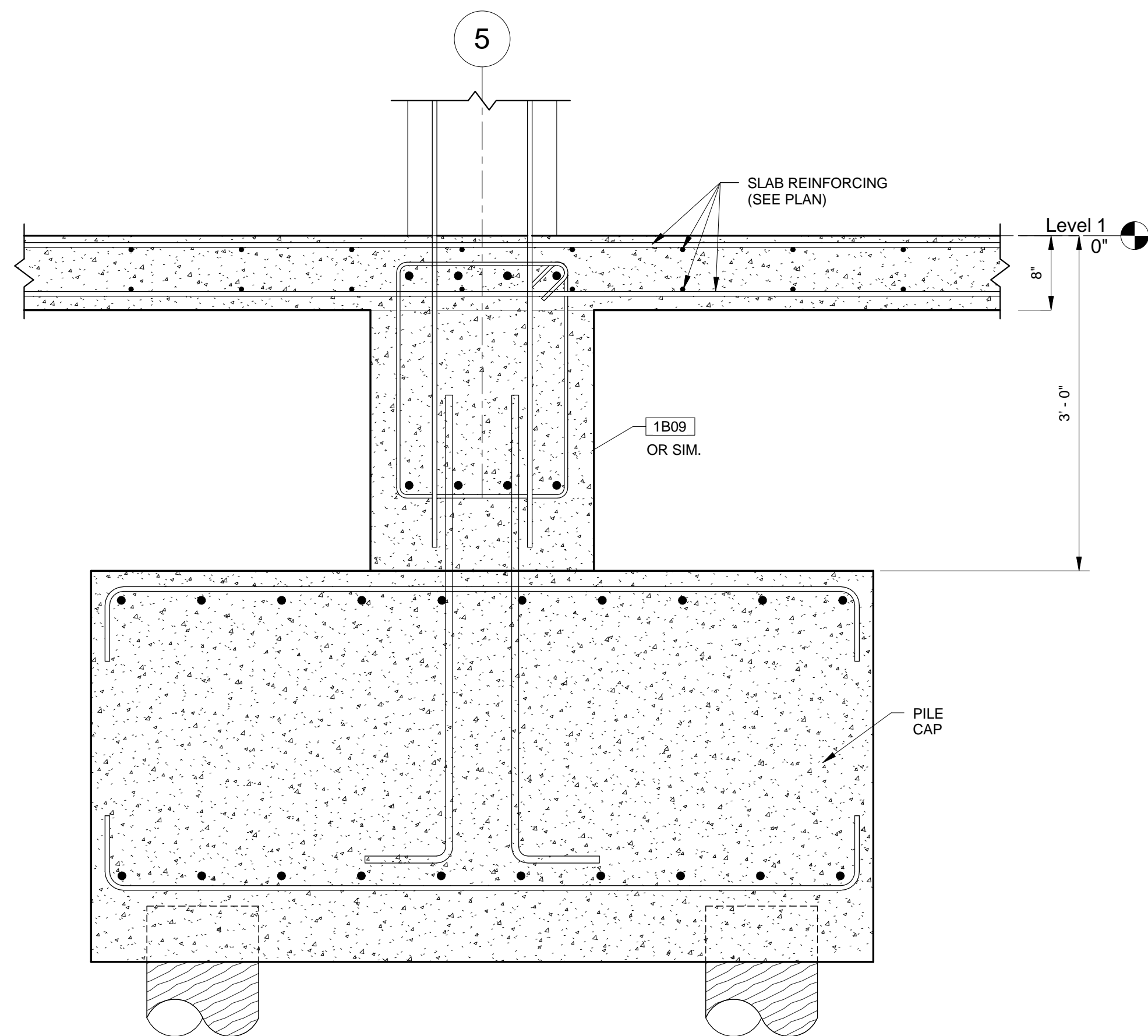
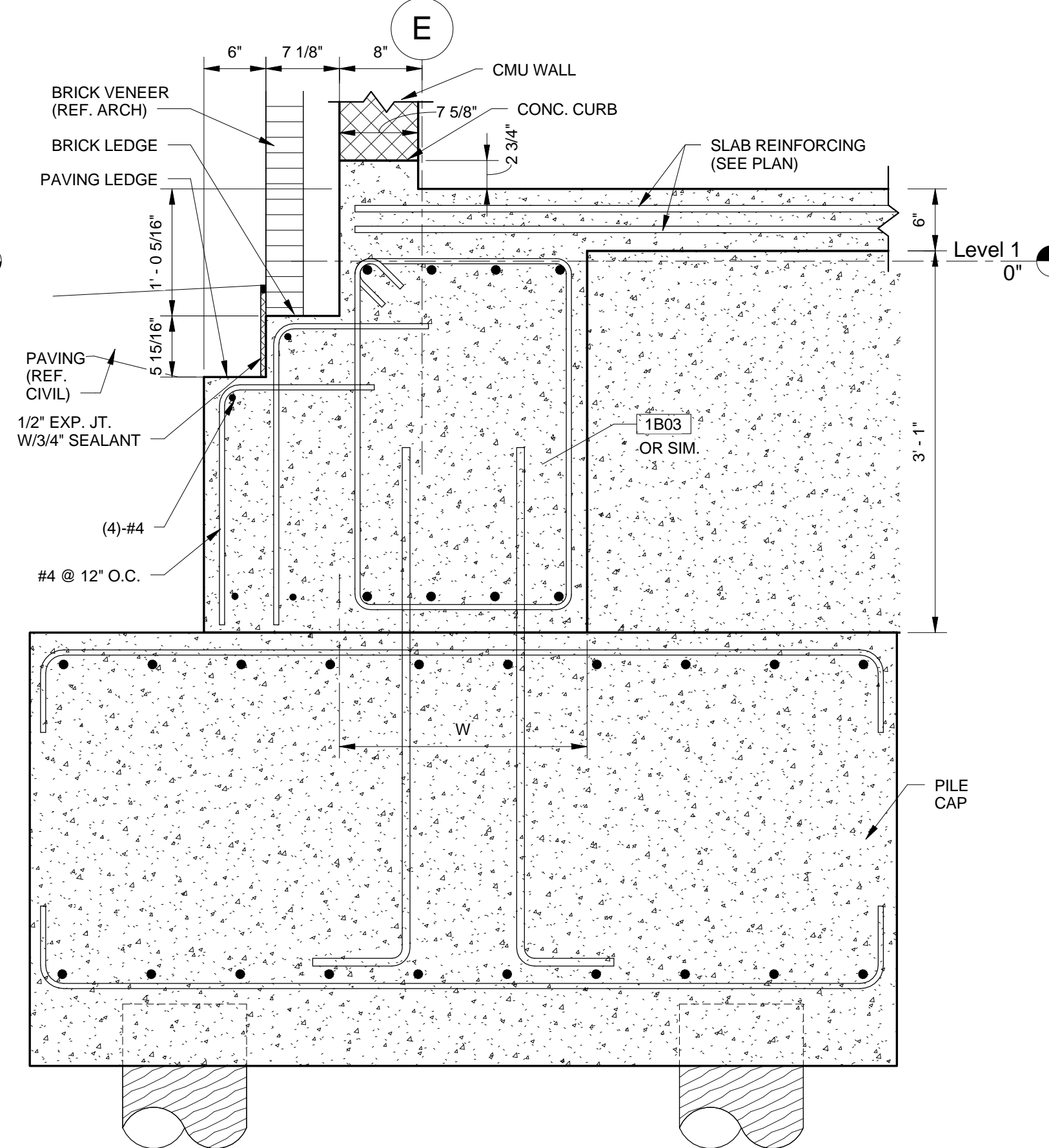


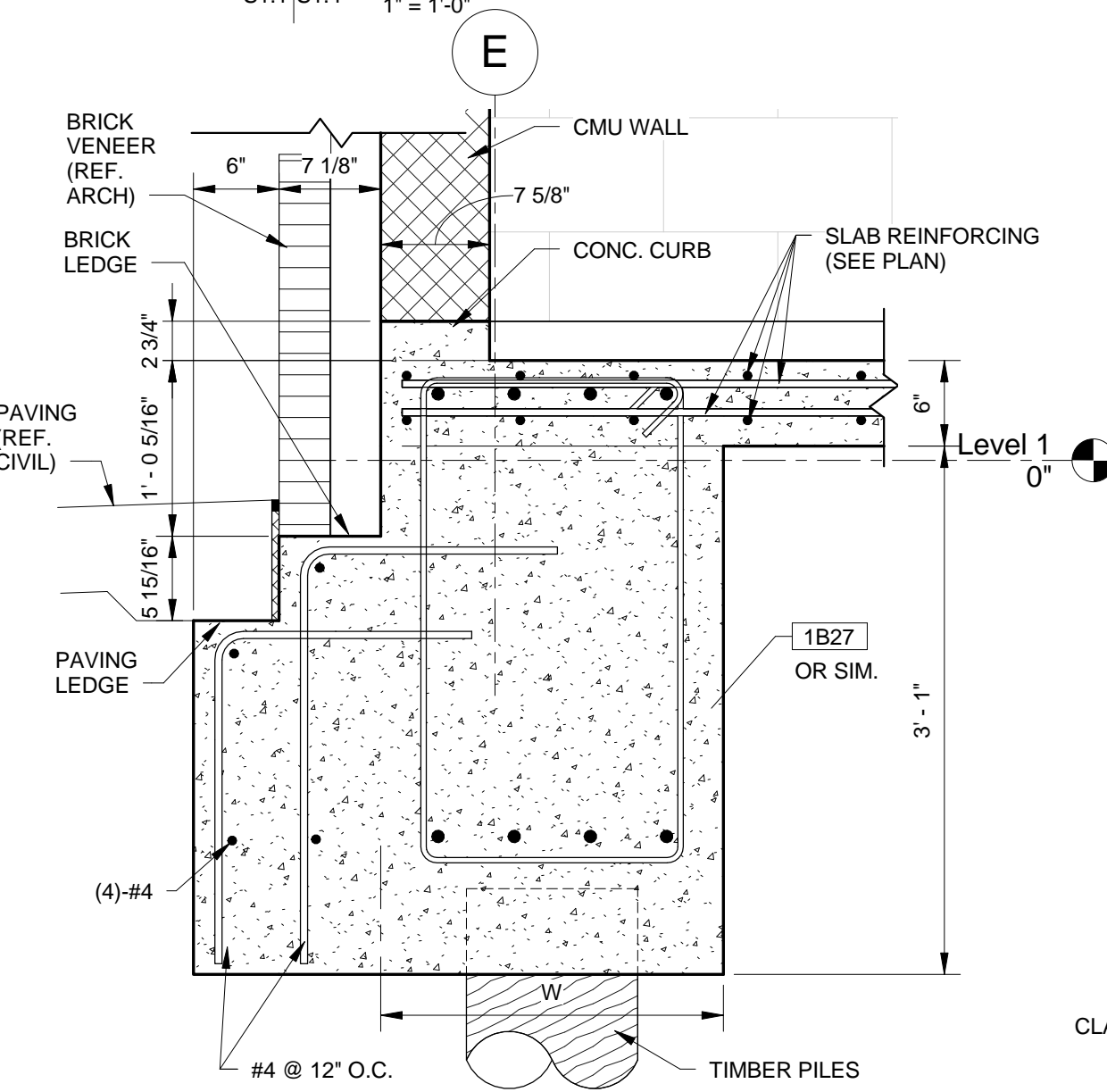
1
S1.1 | S1.4
1" = 1'-0"



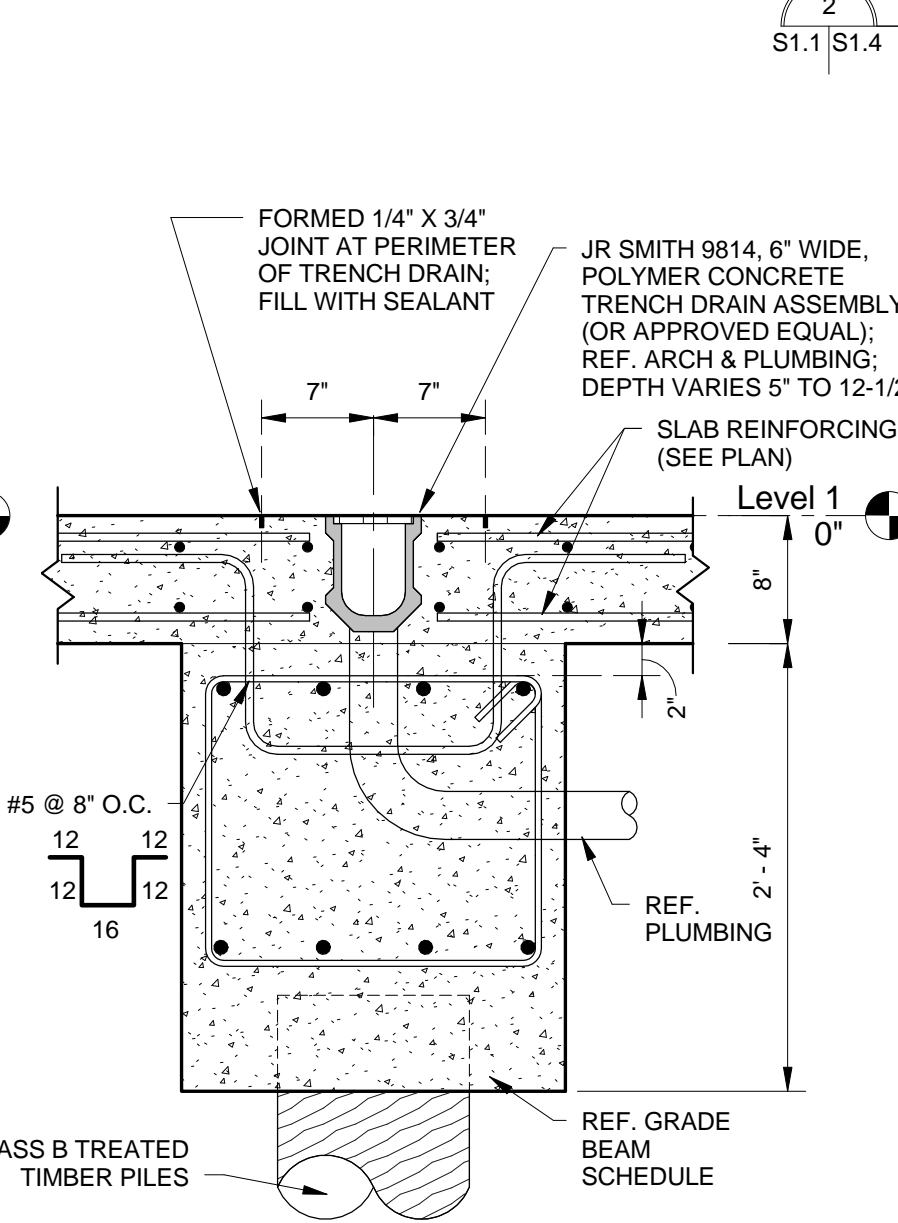
2
S1.1 | S1.4
1" = 1'-0"



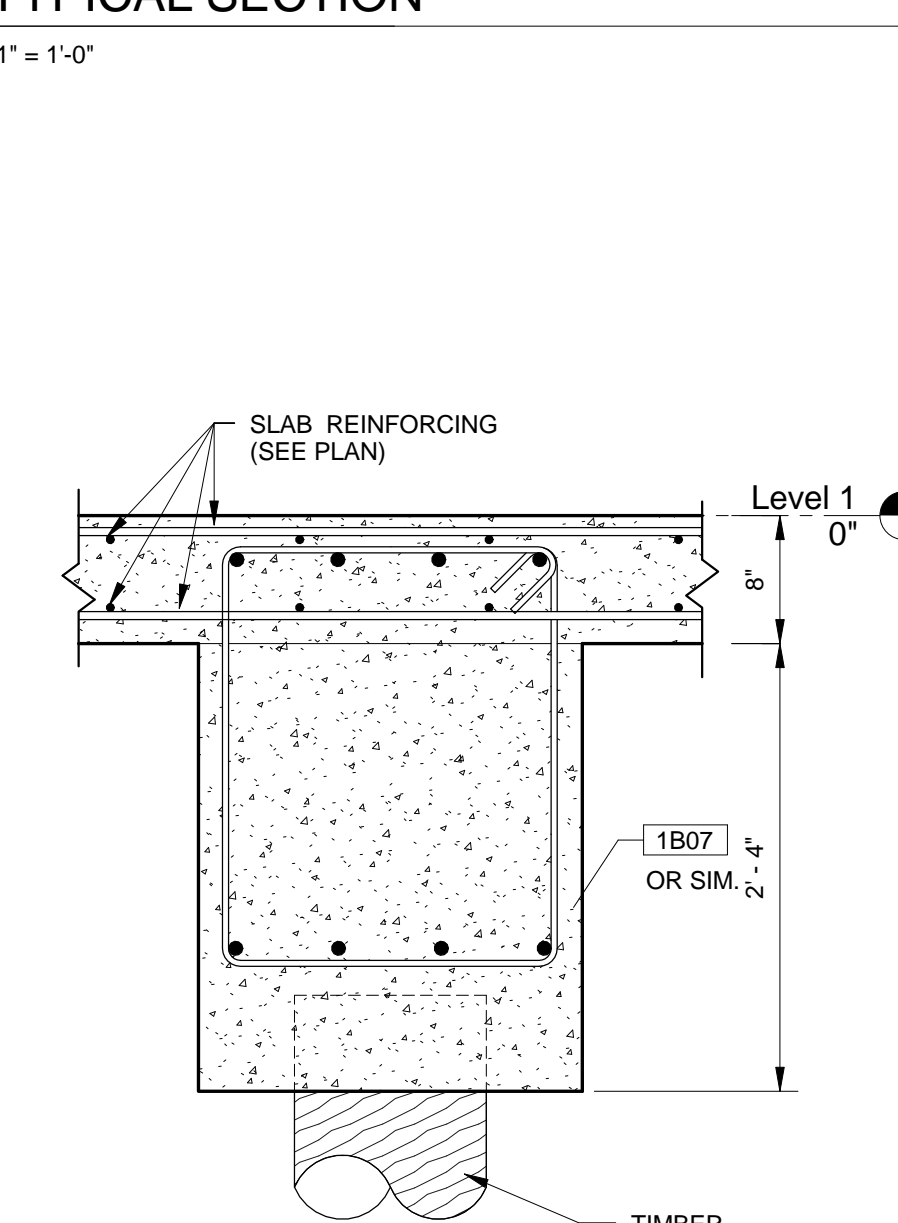
3
S1.1 | S1.4
1" = 1'-0"



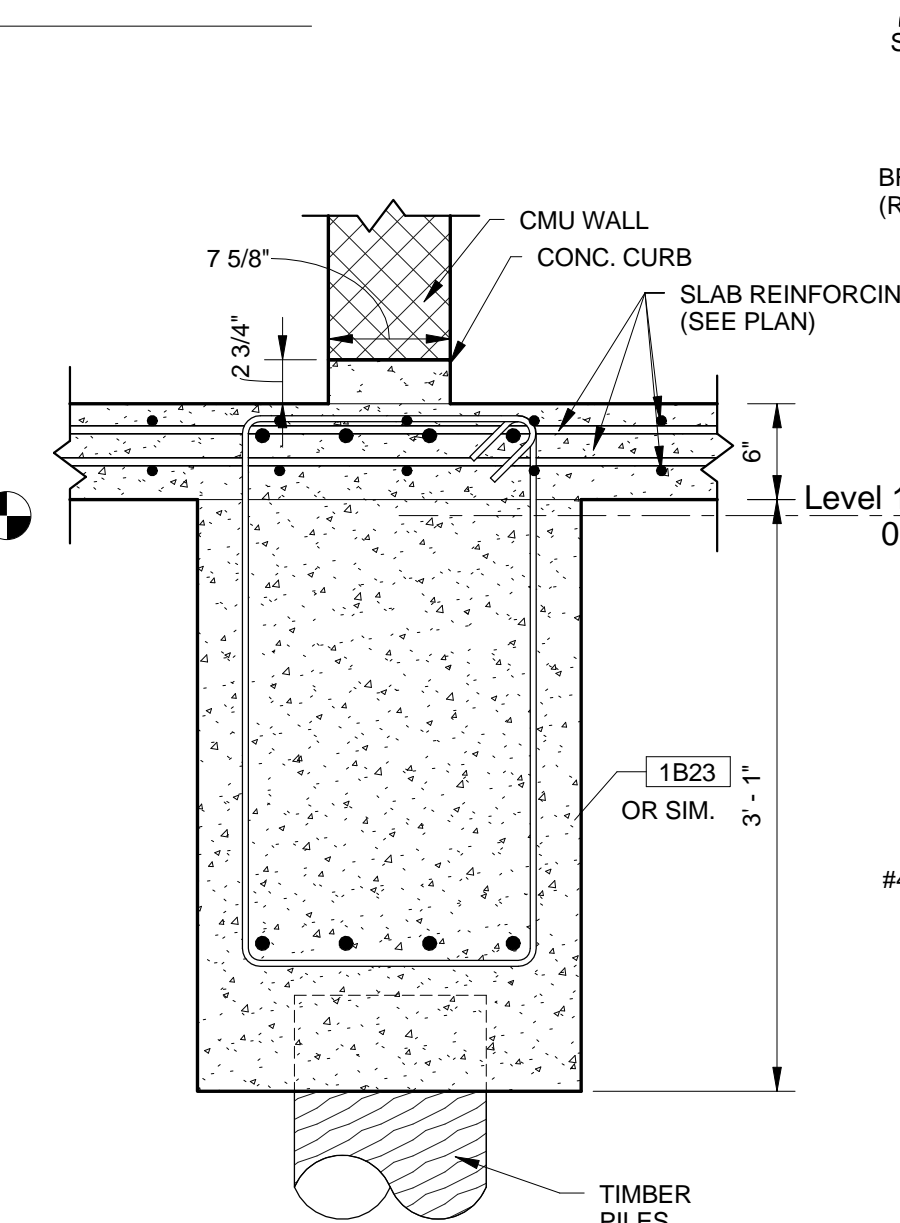
4
S1.1 | S1.4
1" = 1'-0"



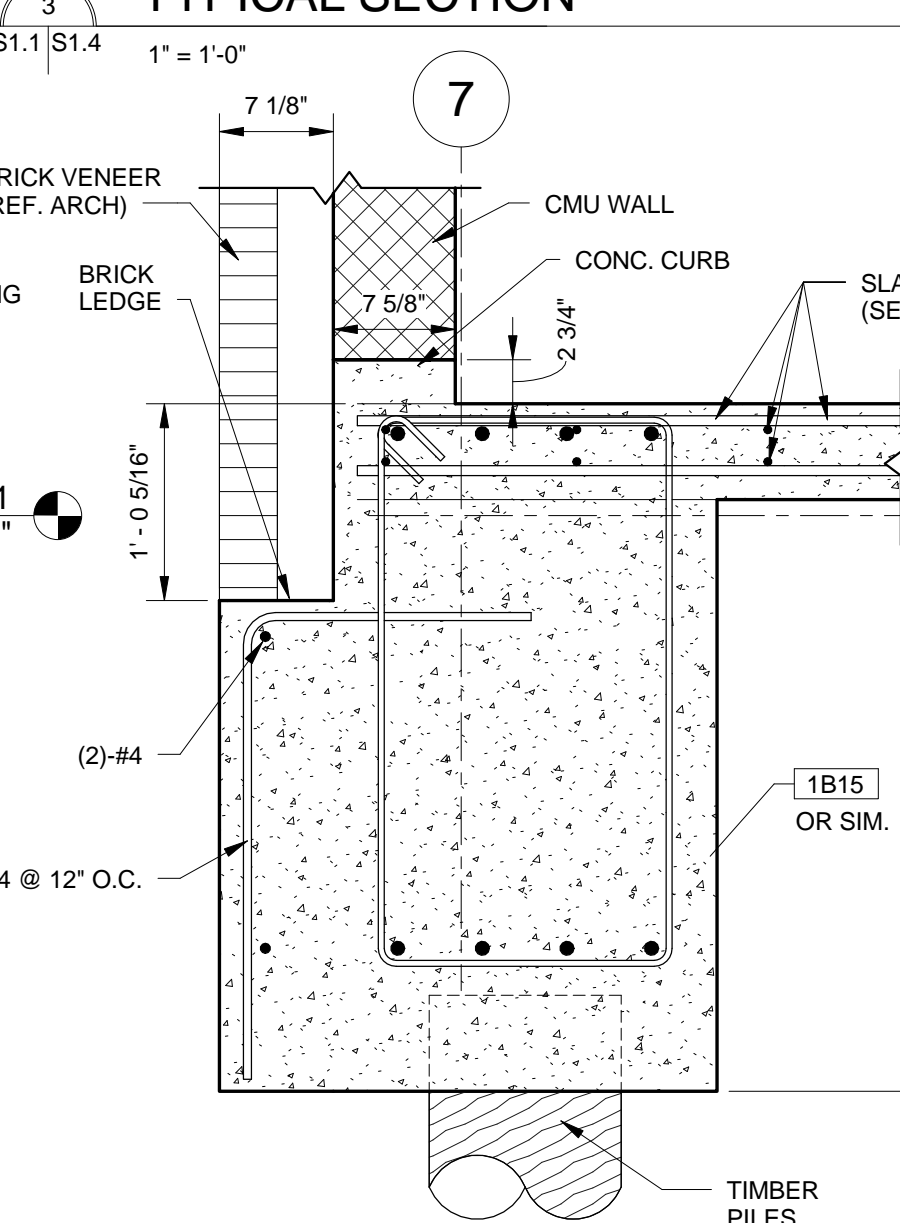
5
S1.1 | S1.4
1" = 1'-0"



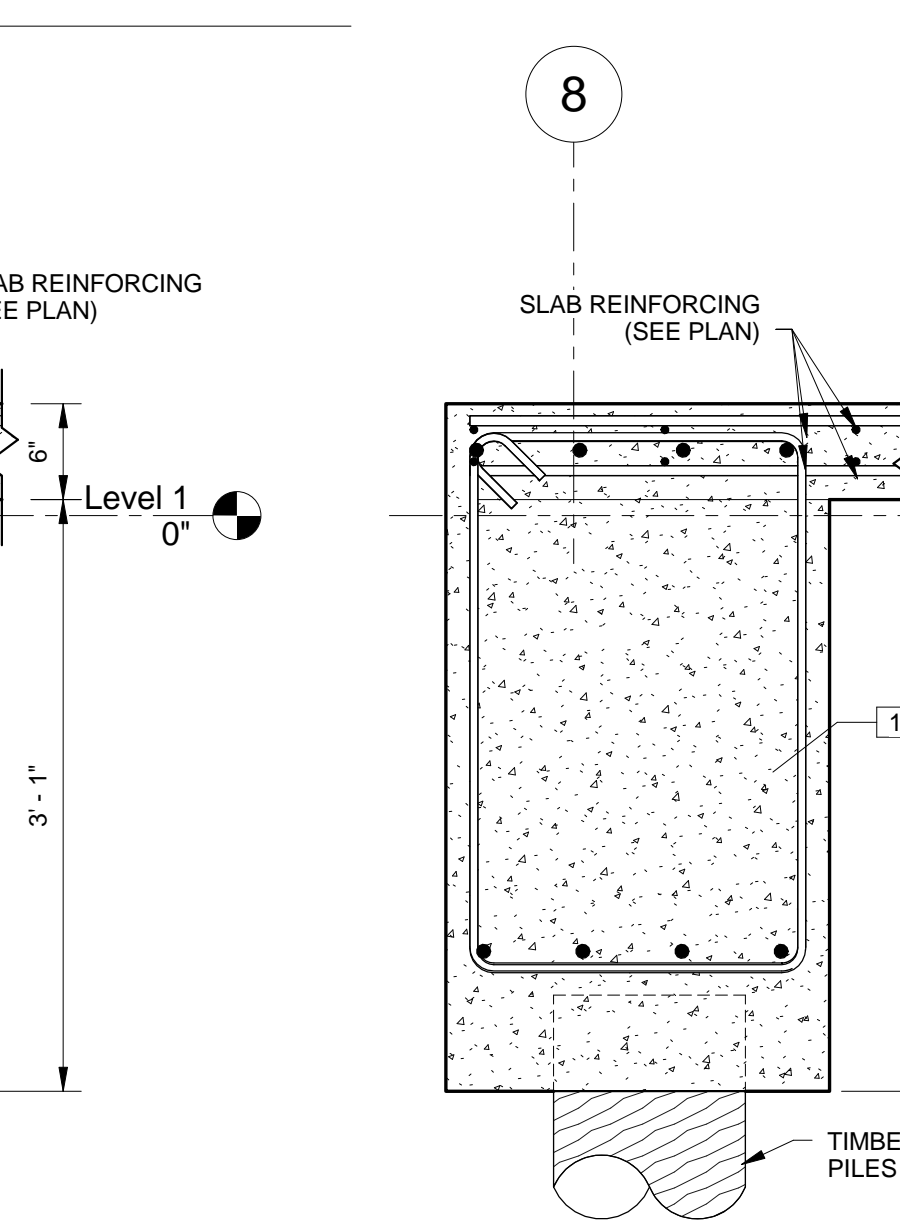
6
S1.1 | S1.4
1" = 1'-0"



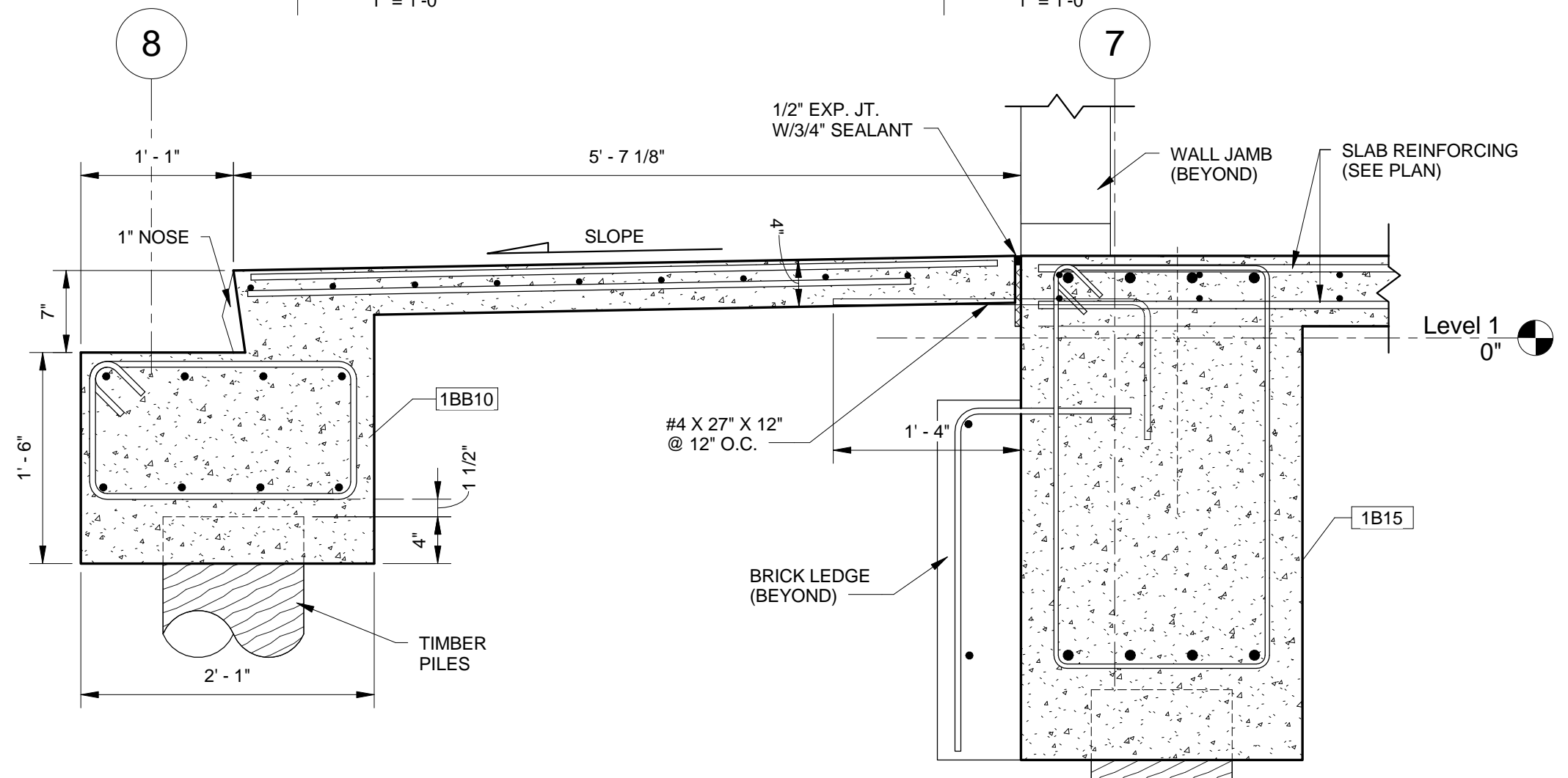
7
S1.1 | S1.4
1" = 1'-0"



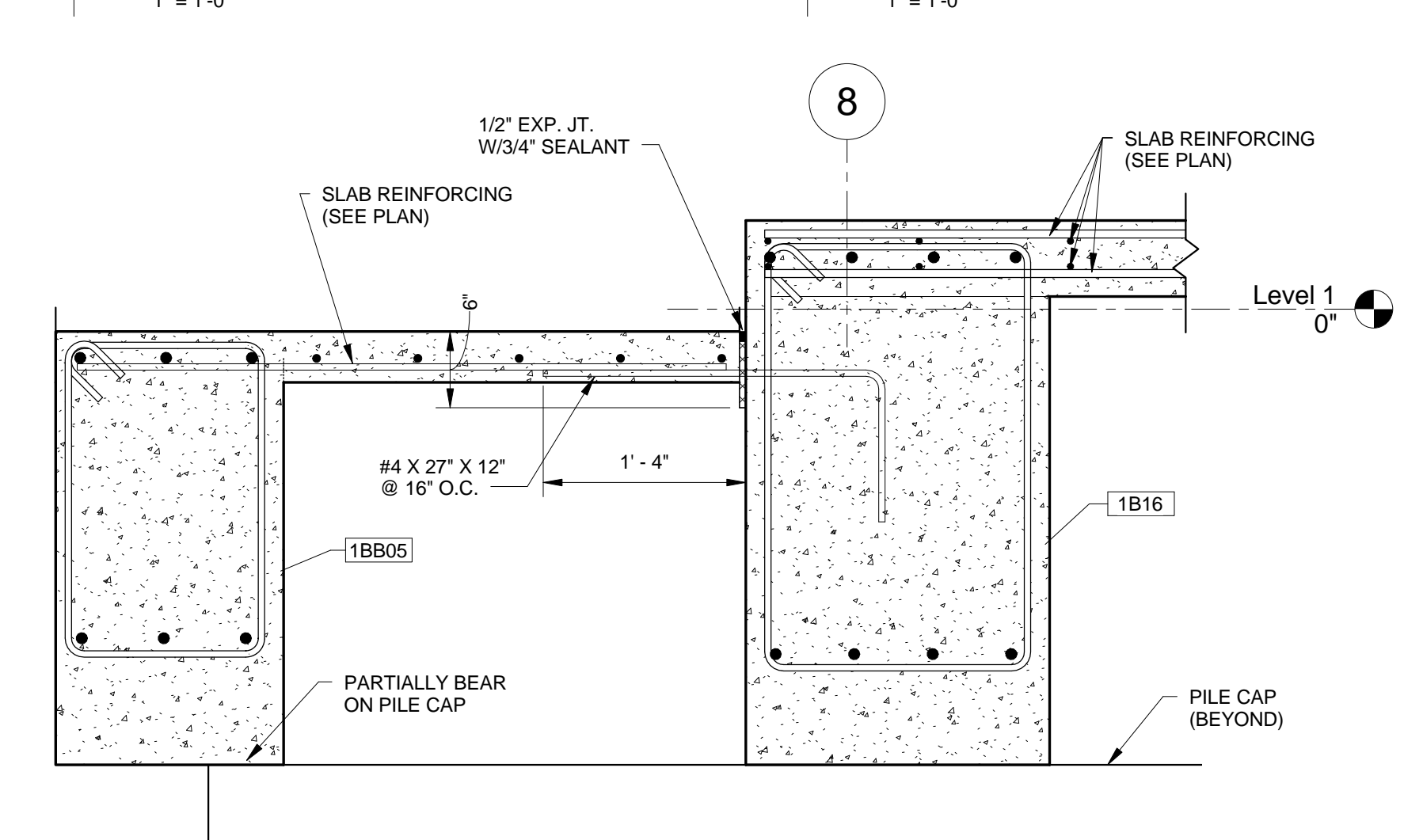
8
S1.1 | S1.4
1" = 1'-0"



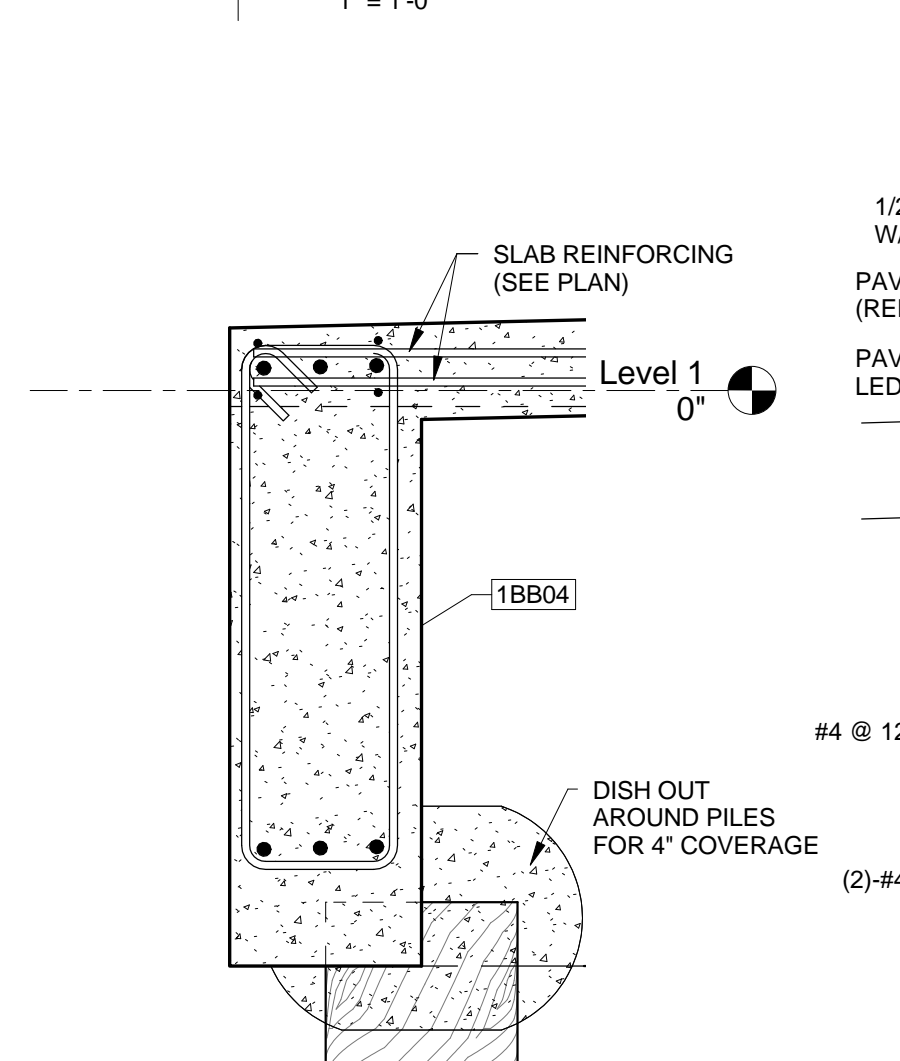
10
S1.1 | S1.4
1" = 1'-0"



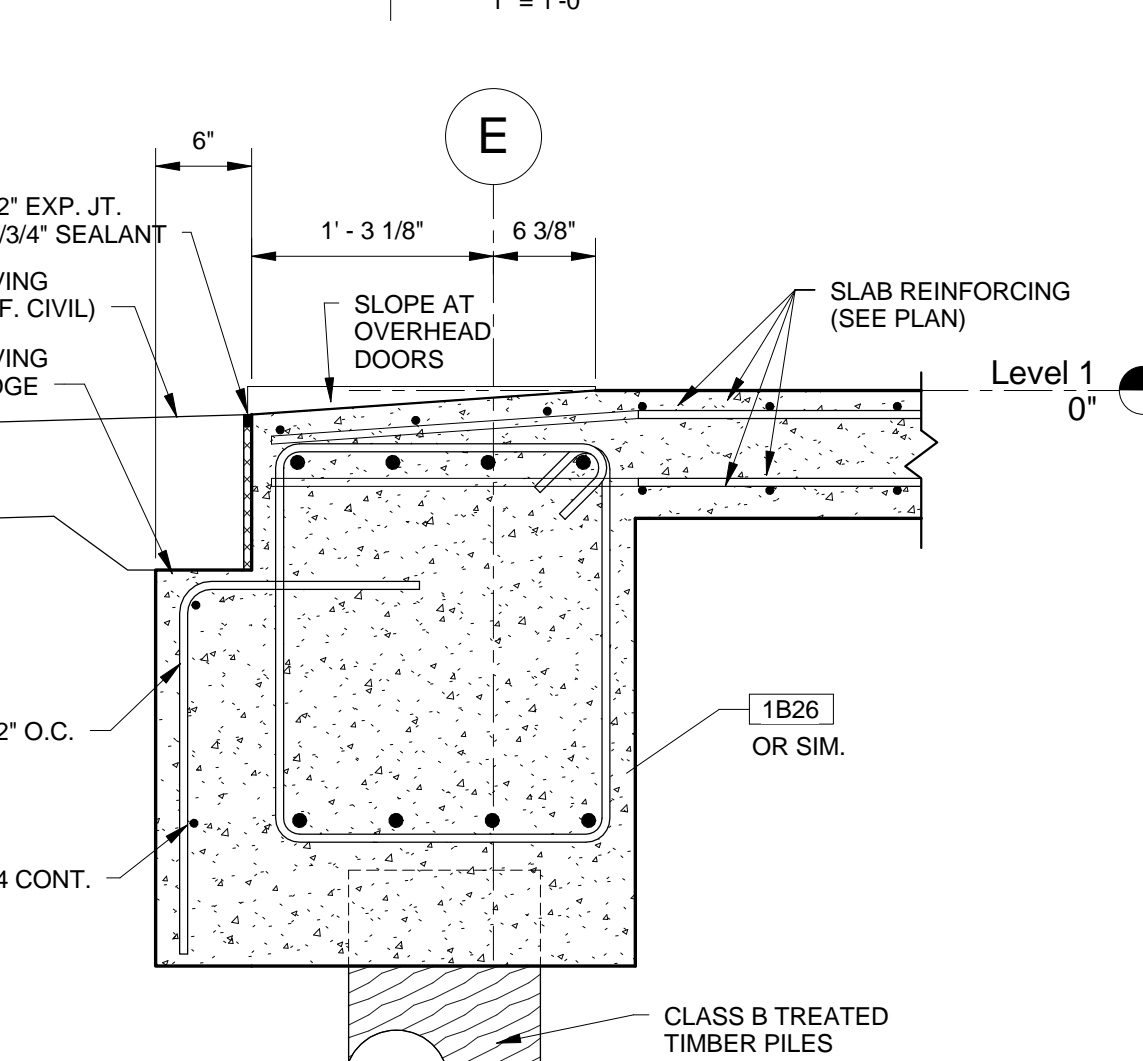
8
S1.1 | S1.4
1" = 1'-0"



11
S1.1 | S1.4
1" = 1'-0"



12
S1.1 | S1.4
1" = 1'-0"



13
S1.1 | S1.4
1" = 1'-0"

NO.	DATE	REVISION	DESCRIPTION