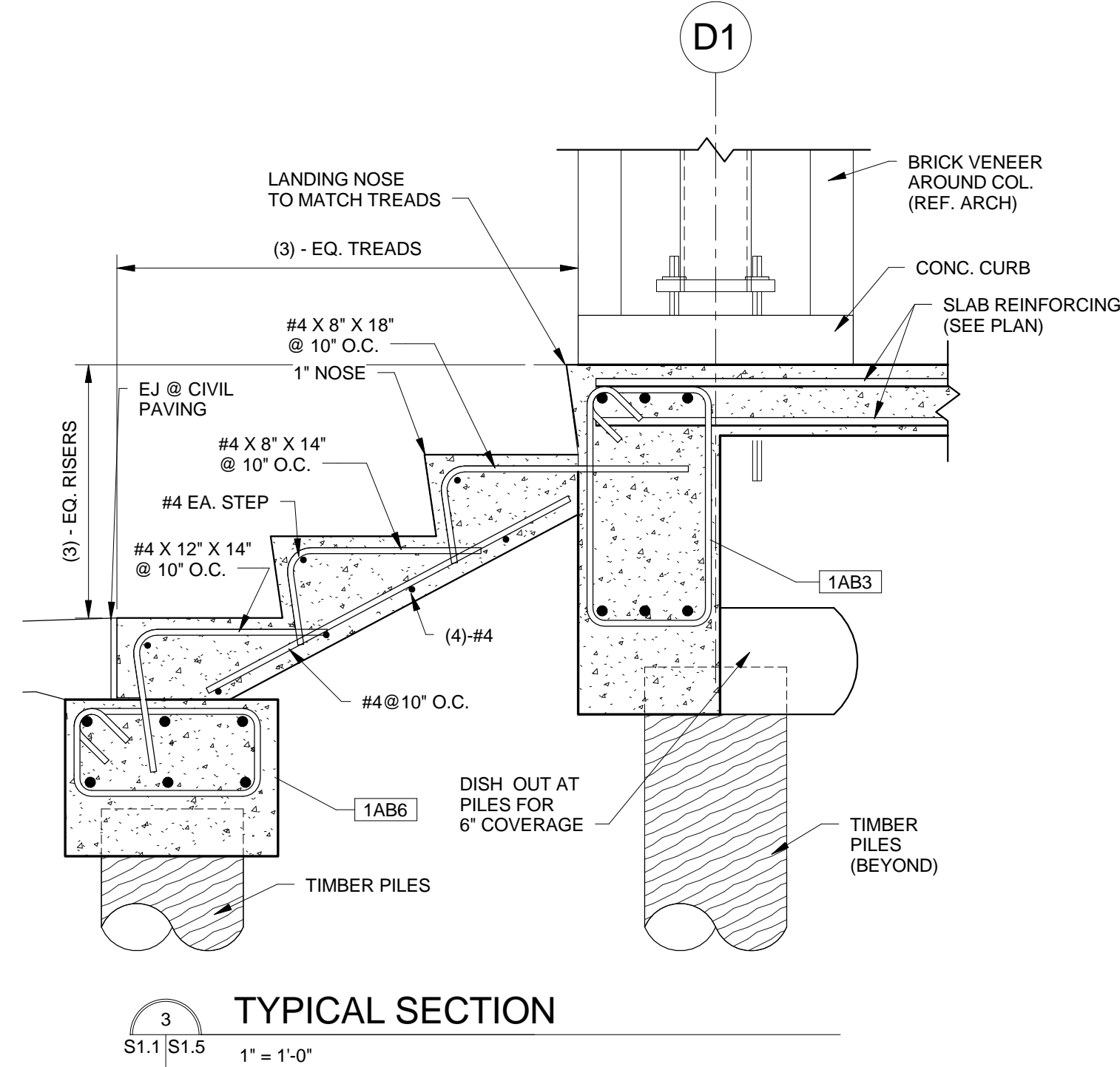
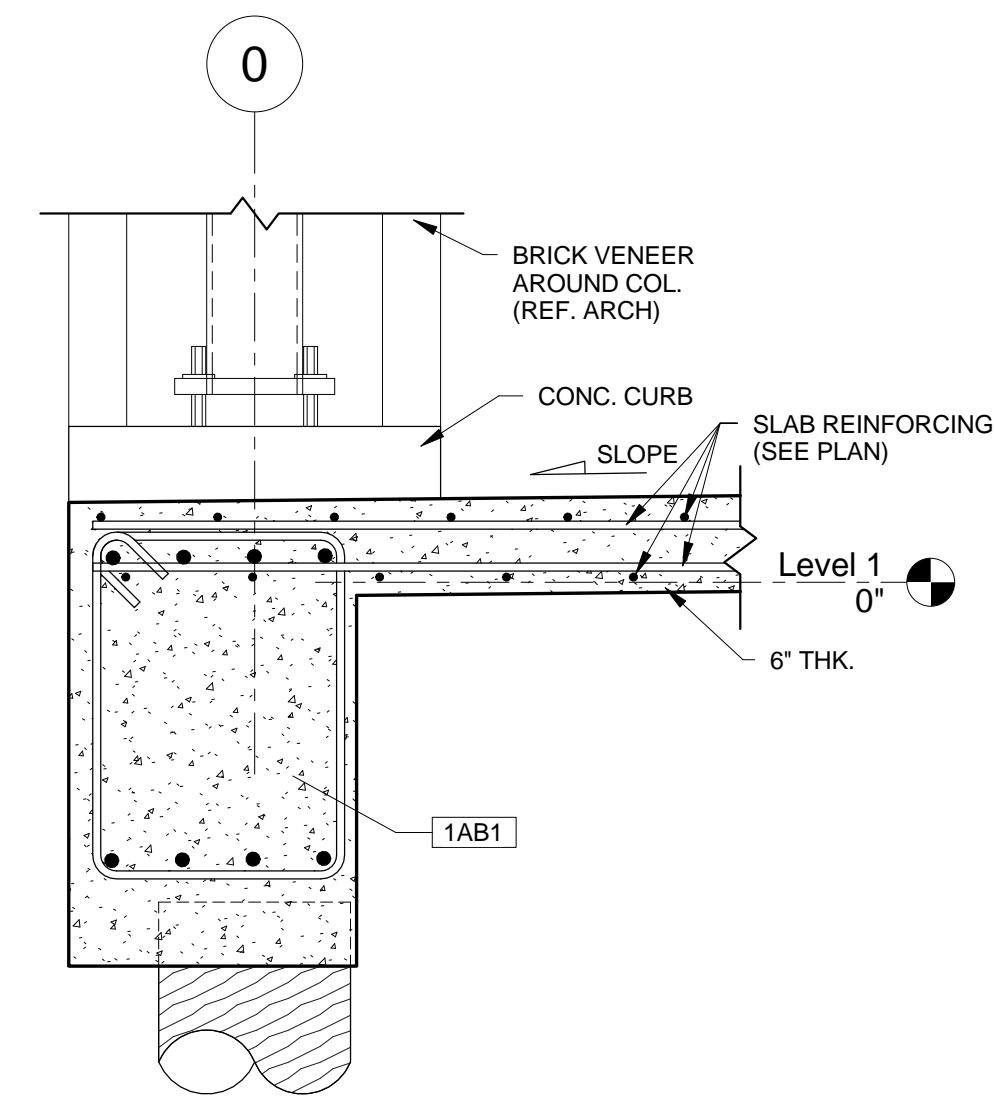


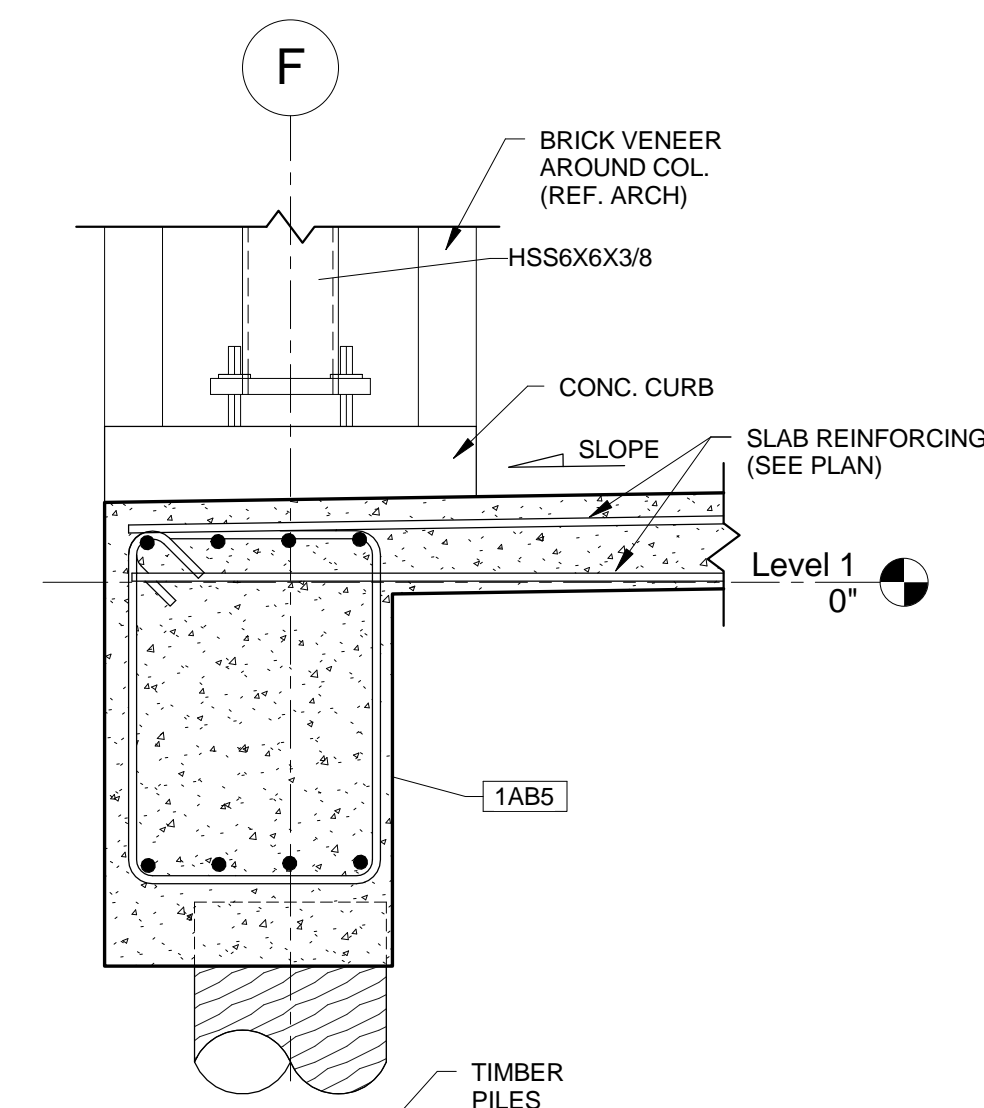
1
S1.1 | S1.5
1" = 1'-0"



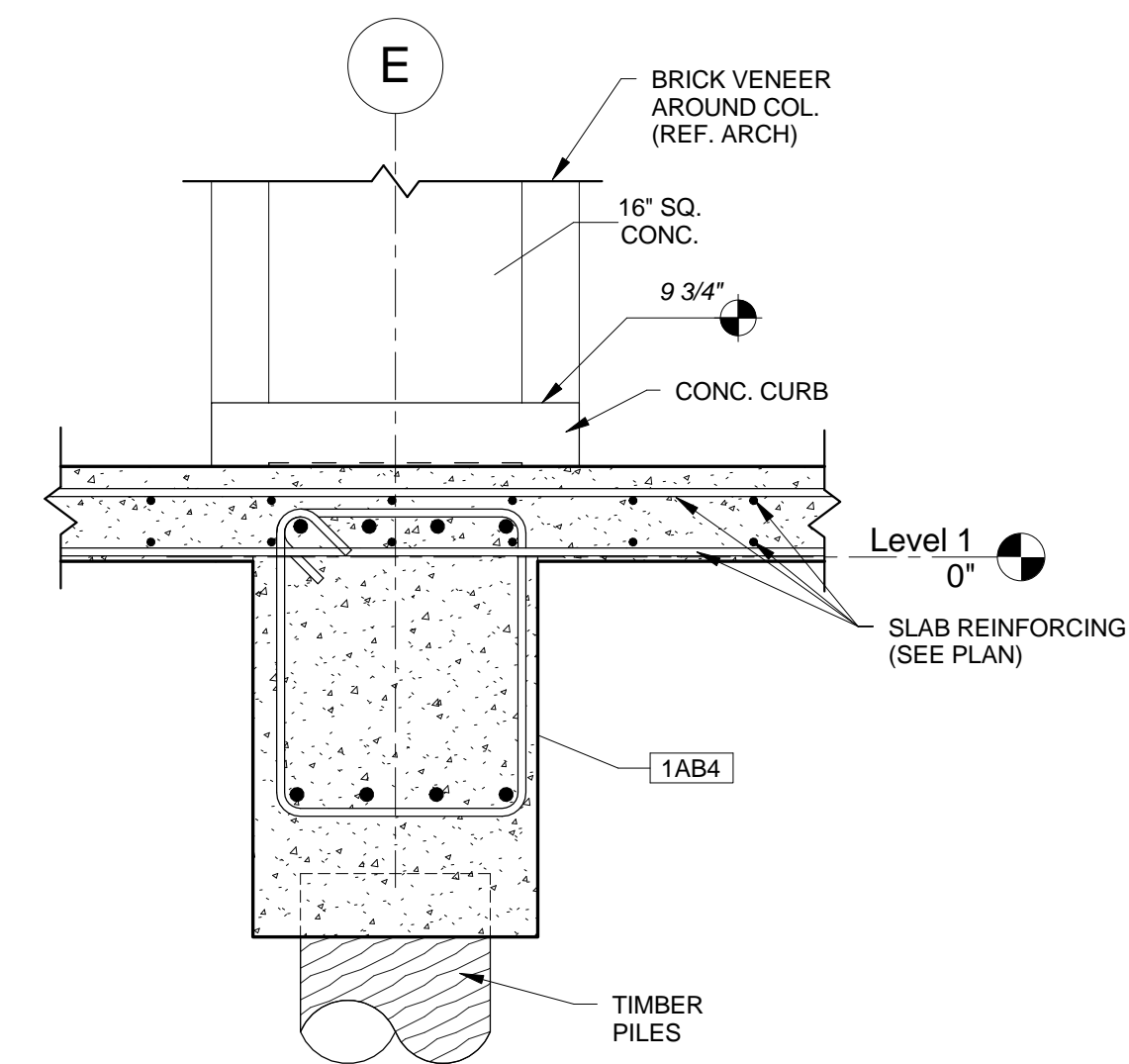
3
S1.1 | S1.5
1" = 1'-0"



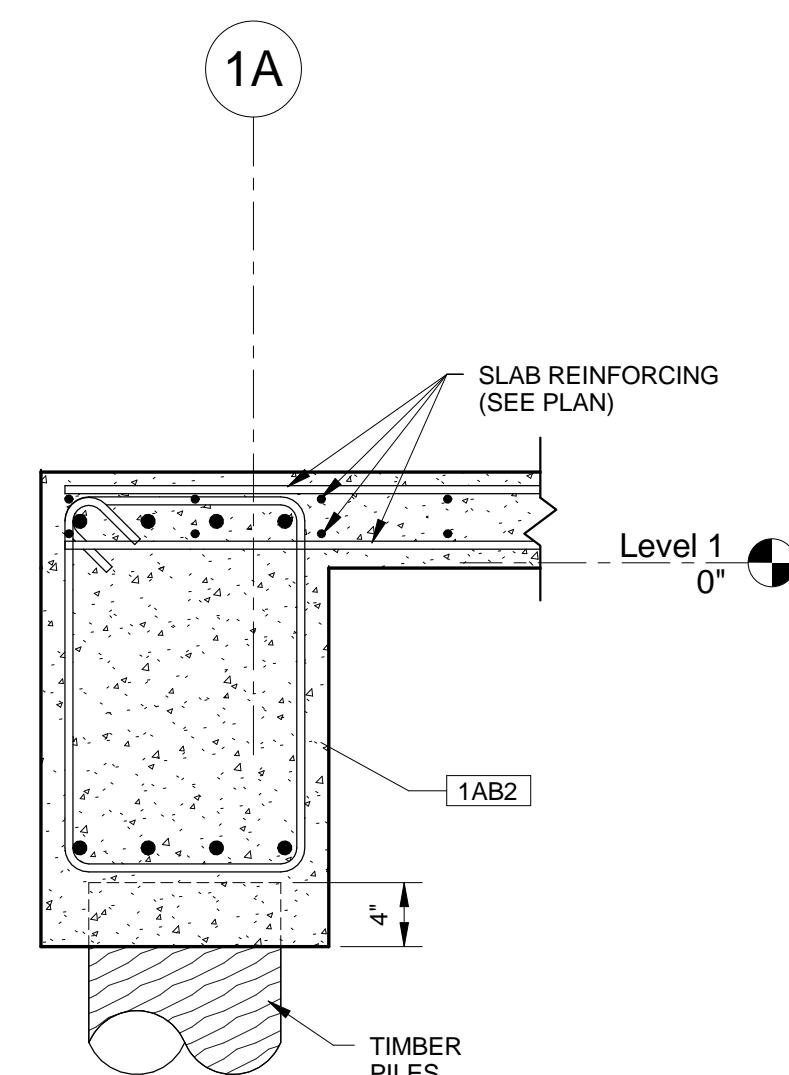
4
S1.1 | S1.5
1" = 1'-0"



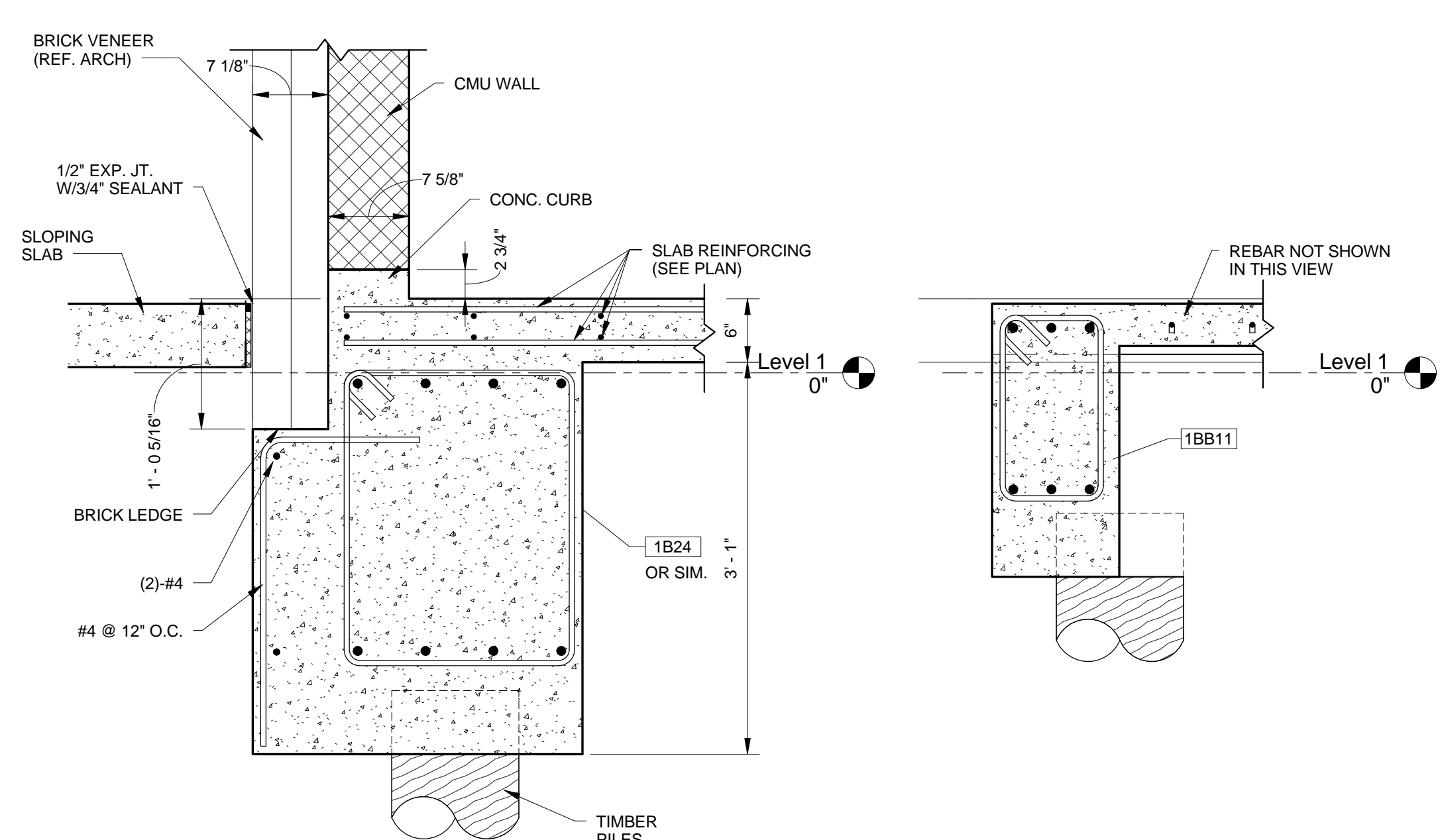
5
S1.1 | S1.5
1" = 1'-0"



6
S1.1 | S1.5
1" = 1'-0"

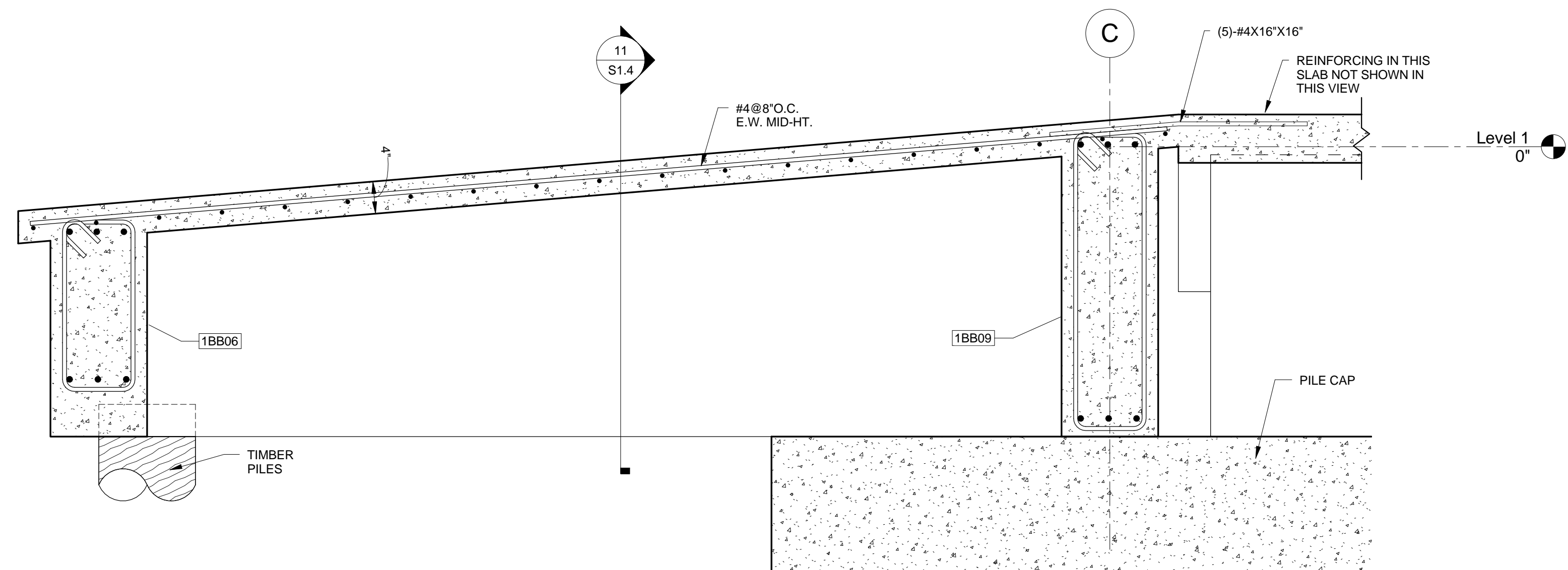


7
S1.1 | S1.5
1" = 1'-0"

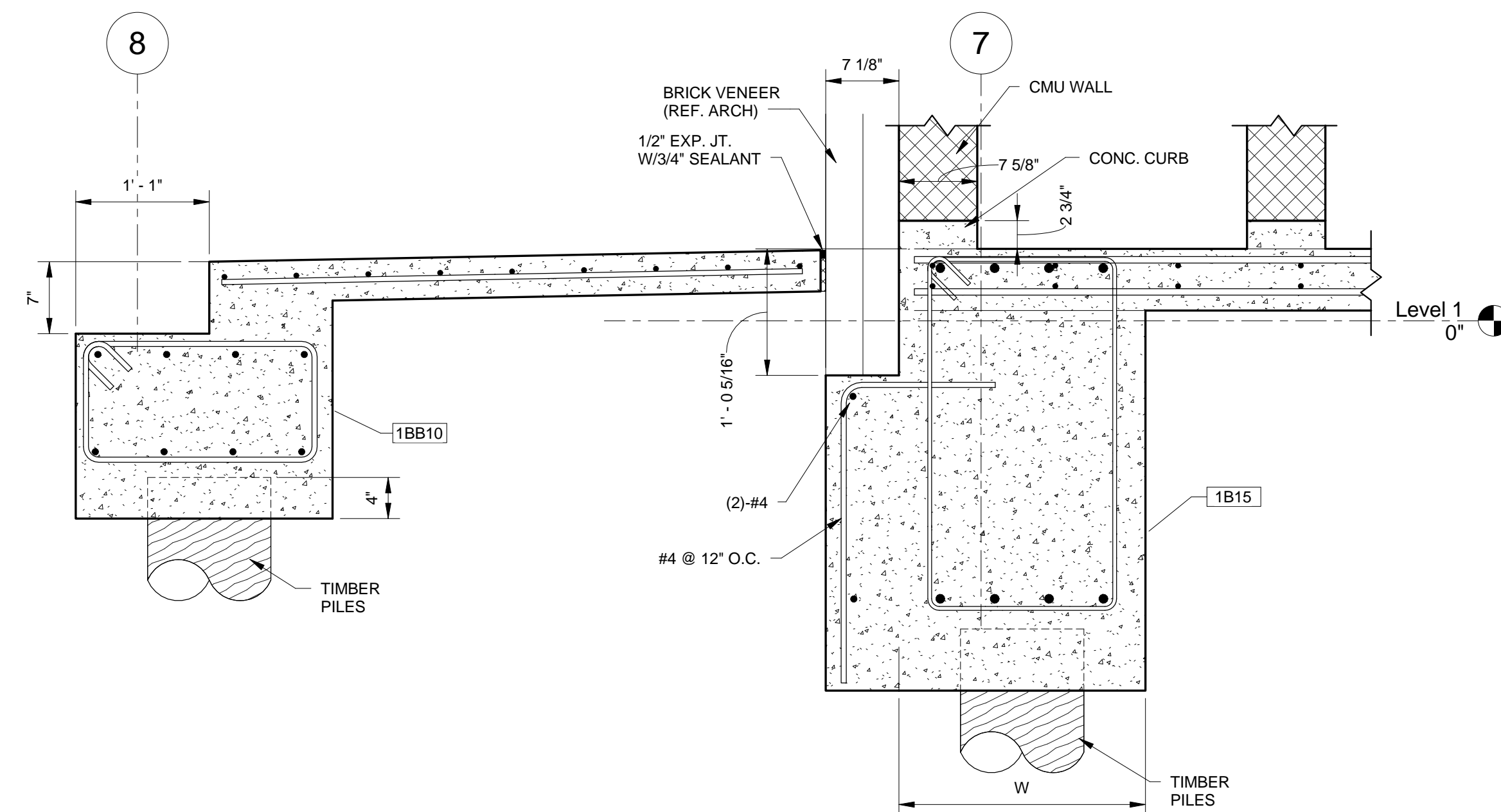


8
S1.1 | S1.5
1" = 1'-0"

2
S1.1 | S1.5
1" = 1'-0"



9
S1.1 | S1.5
1" = 1'-0"



10
S1.1 | S1.5
1" = 1'-0"

NO.	DATE	REVISION	DESCRIPTION