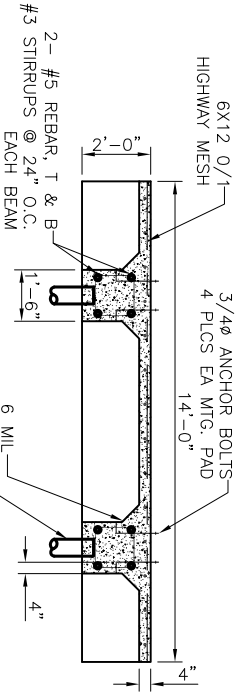
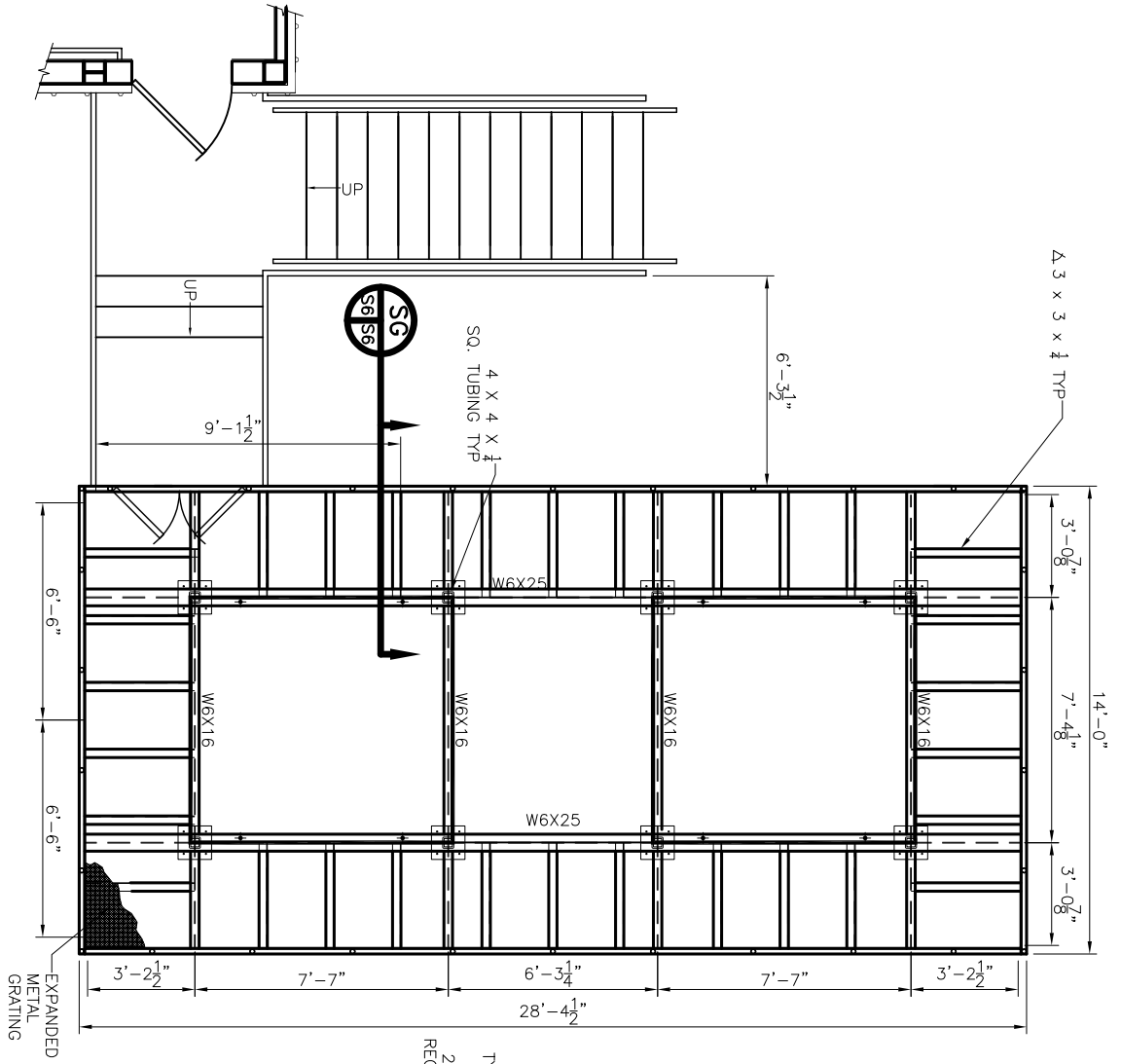


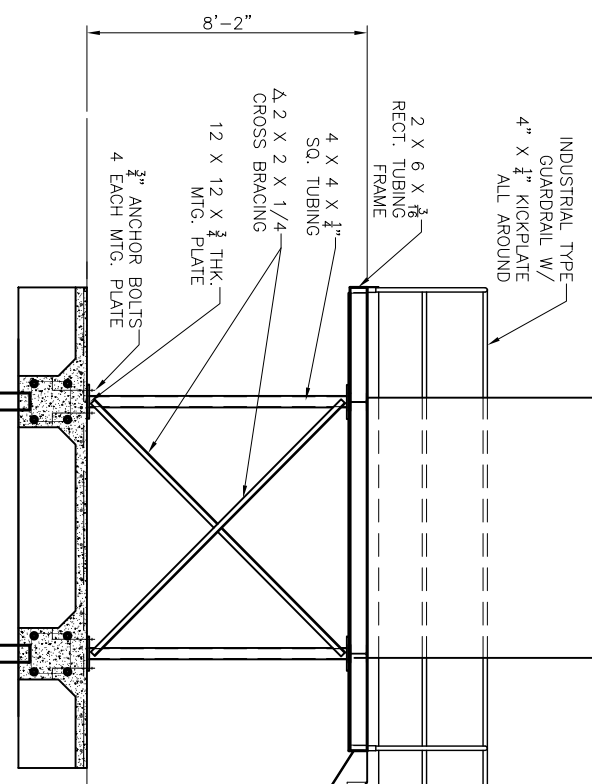
CHILLER PAD DETAIL
SCALE: $\frac{3}{8}'' = 1'-0''$



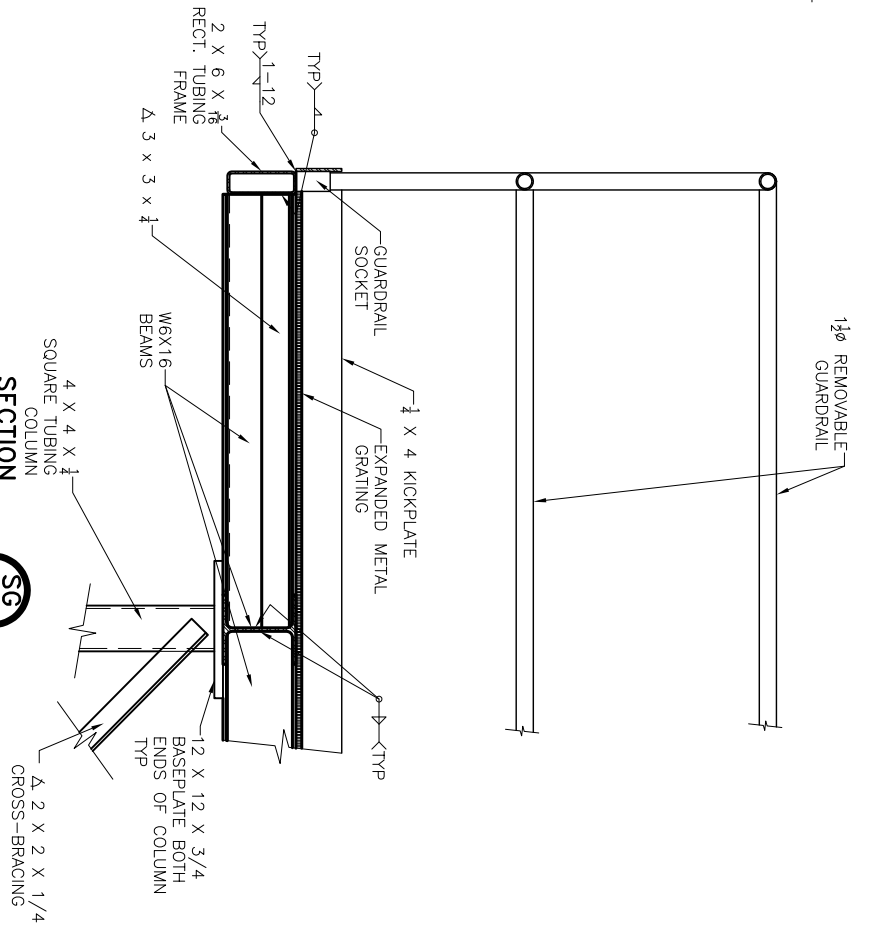
SECTION
SCALE: $\frac{3}{8}'' = 1'-0''$



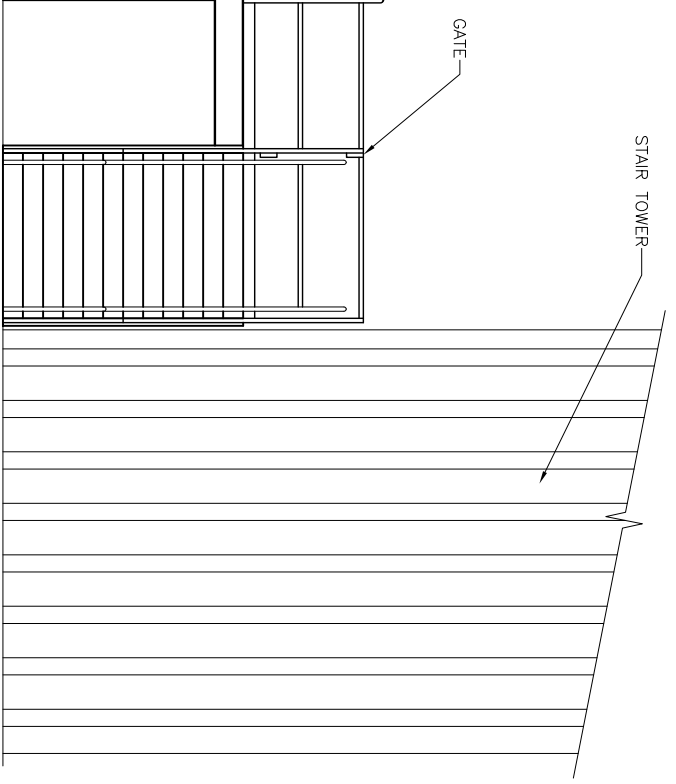
CHILLER FRAME DETAIL
SCALE: $\frac{3}{8}'' = 1'-0''$



SECTION
SCALE: $\frac{3}{8}'' = 1'-0''$



SECTION
SCALE: $\frac{1}{2}'' = 1'-0''$



SECTION
SCALE: $\frac{3}{8}'' = 1'-0''$

REVISED: 05/21/07/ab
REVISED: 03/07/07/ab
REVISED: 02/19/07

OF
S-6
SHEET

SCALE: AS NOTED
FILE:
JOB NO. 1729
DATE: 1-8-07

RENOVATE OFFICE BUILDING
DAMMON ENGINEERING, INC.
1095 FLORIDA AVENUE 985-649-5832 SLIDELL, LA. 70458
DAMMONENGINEERING.COM

CHILLER DECK & PAD DETAILS
ST. TAMMANY PARISH ADMIN. COMPLEX
520 OLD SPANISH TRAIL
SLIDELL, LOUISIANA