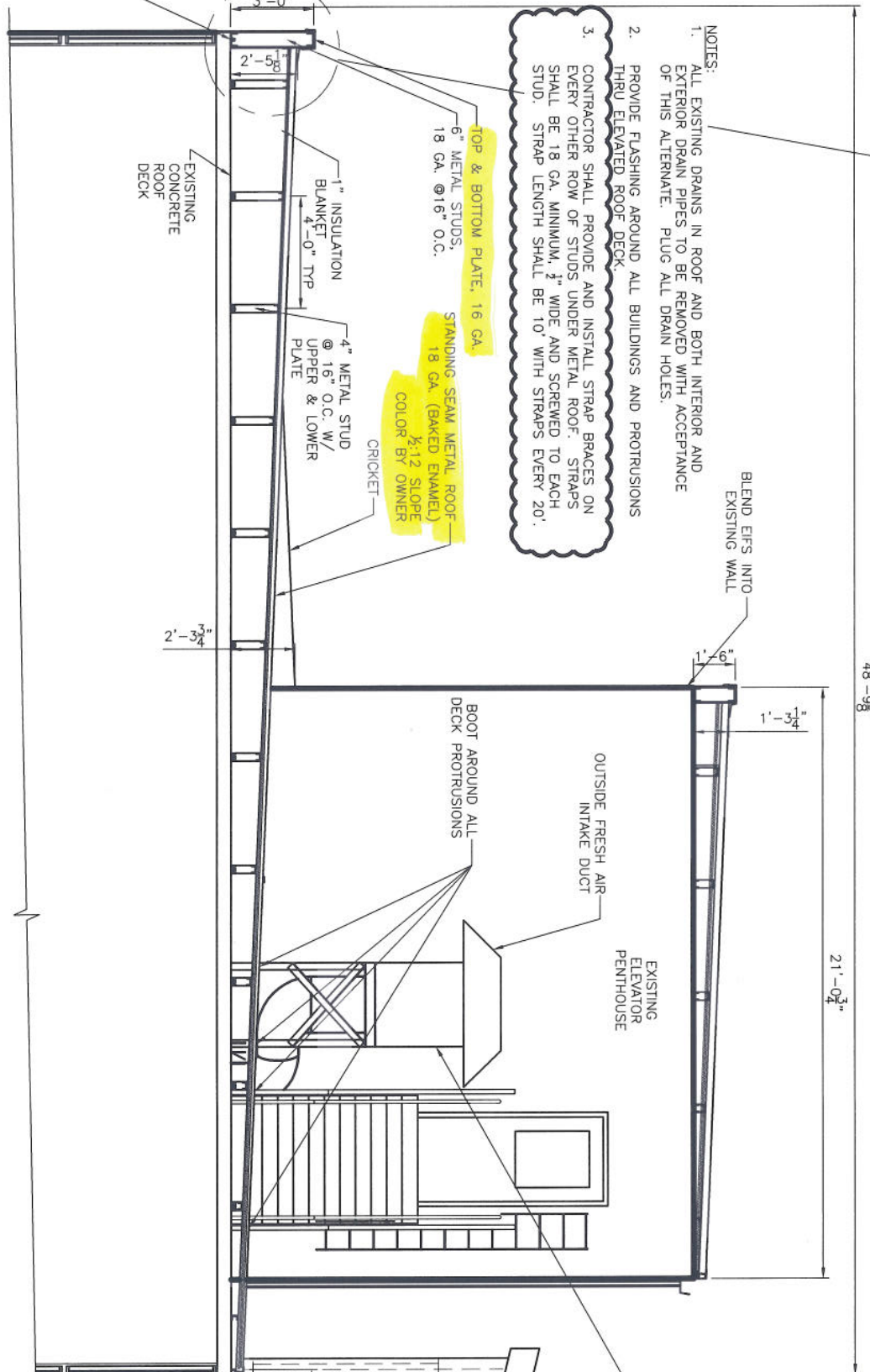
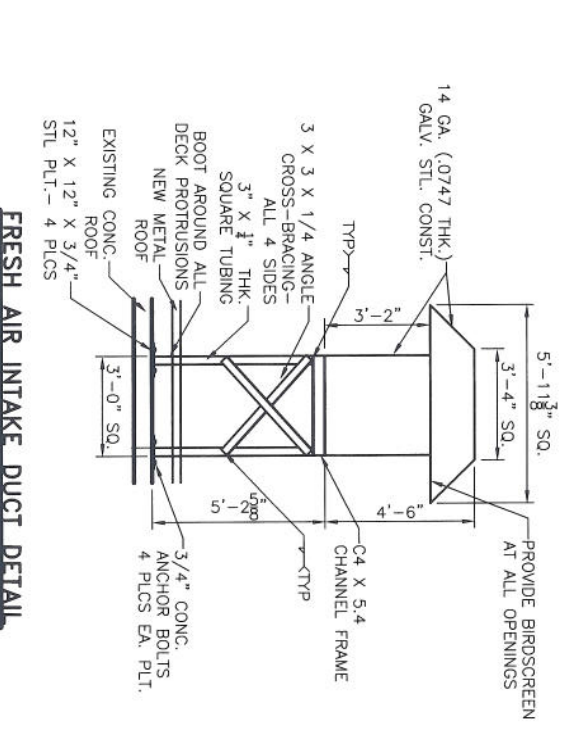


**SECTION B**  
SCALE: 3/8" = 1'-0" S5 S6

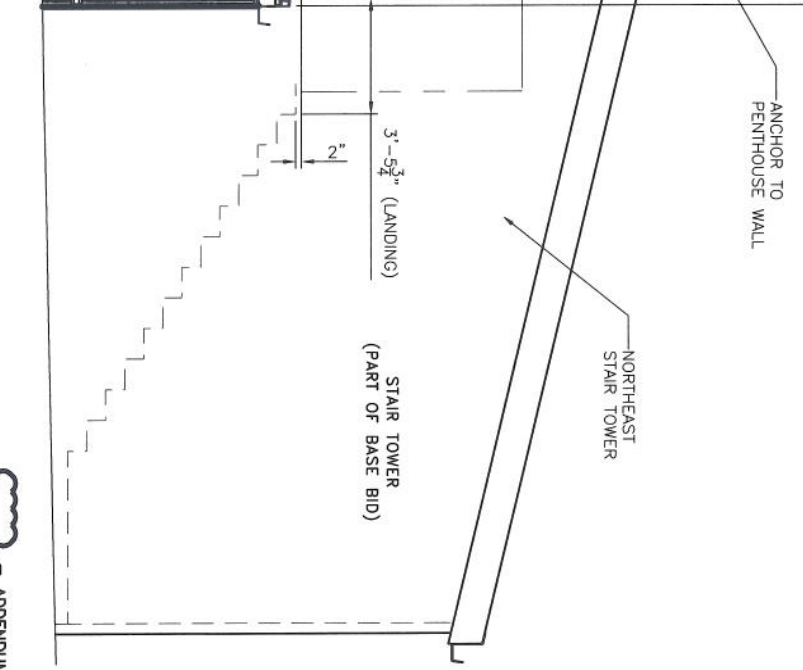
- NOTES:**
1. ALL EXISTING DRAINS IN ROOF AND BOTH INTERIOR AND EXTERIOR DRAIN PIPES TO BE REMOVED WITH ACCEPTANCE OF THIS ALTERNATE. PLUG ALL DRAIN HOLES.
  2. PROVIDE FLASHING AROUND ALL BUILDINGS AND PROTRUSIONS THRU ELEVATED ROOF DECK.
  3. CONTRACTOR SHALL PROVIDE AND INSTALL STRAP BRACES ON EVERY OTHER ROW OF STUDS UNDER METAL ROOF. STRAPS SHALL BE 18 GA. MINIMUM, 1/2" WIDE AND SCREWED TO EACH STUD. STRAP LENGTH SHALL BE 10' WITH STRAPS EVERY 20'.



REMOVE ROOFING AND ATTACH TO DECK WITH 1/4" EXPANSION ANCHORS @ 24" O.C. WITH POWER DRIVEN ANCHORS @ 12" O.C.



**FRESH AIR INTAKE DUCT DETAIL**  
SCALE: 3/8" = 1'-0"



**ROOF DETAIL A**  
SCALE: 3/8" = 1'-0" S5 S6

☁ = ADDENDUM 7 CHANGE

HVAC REVISED: 11/05/07ab  
ADDENDUM 7  
REVISED: 08/20/07ab  
REVISED: 05/17/07ab  
REVISED: 05/07/07ab  
REVISED: 02/19/07

REVISIONS: 11 10 09 08 07 06 05 04 03 02 01

**ROOF RENOVATION DETAILS**  
ST. TAMMANY PARISH ADMIN. COMPLEX  
520 OLD SPANISH TRAIL  
SLIDELL, LOUISIANA

RENOVATE OFFICE BUILDING  
**DAMMON ENGINEERING. INC.**  
1095 FLORIDA AVENUE 986-649-6832 SLIDELL, LA. 70458  
DAMMONENGINEERING.COM

SCALE: AS NOTED  
FILE:  
JOB NO. 1729  
DATE: 1-8-07  
SHEET  
**S-6**  
OF

