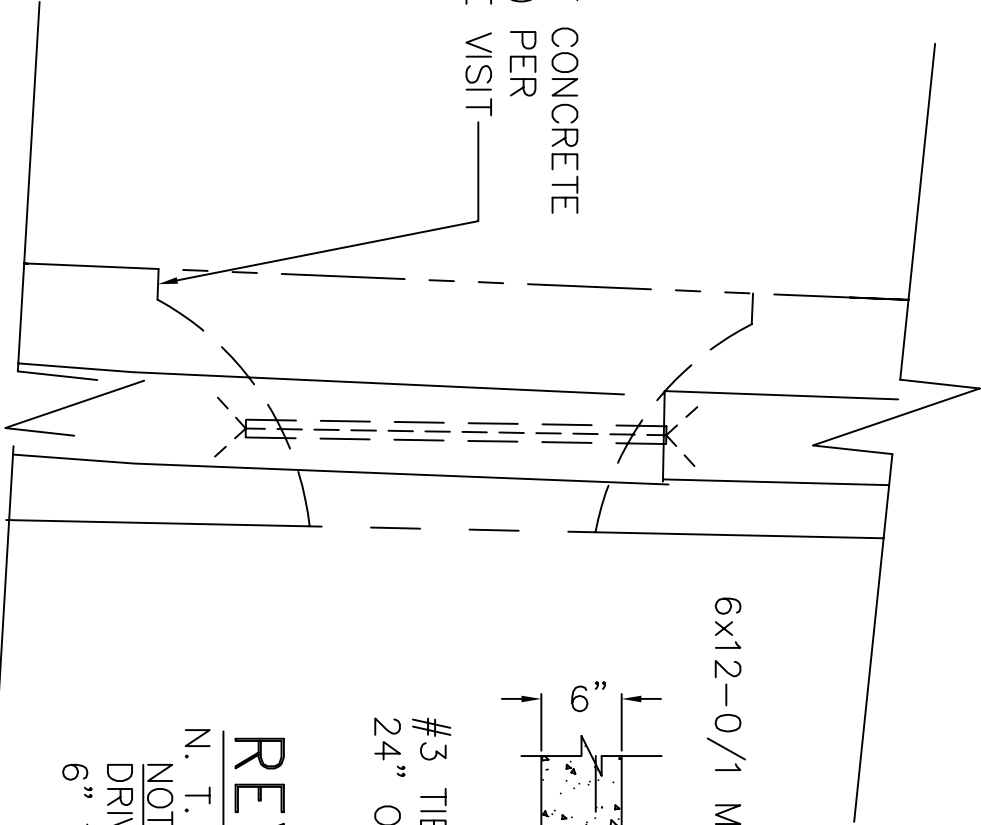
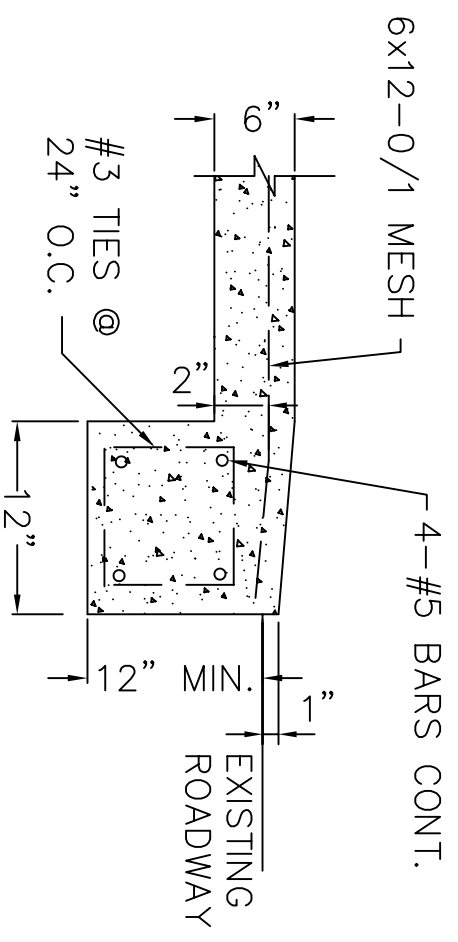


SQUARE OFF CONCRETE  
EDGES (TYP) PER  
TODAYS SITE VISIT



# REVISED ENTRANCE

N. T. S.



# REVISED DRIVEWAY SECTION

N. T. S.

NOTE:  
DRIVEWAY IN CITY RIGHT OF WAY SHALL BE  
6" THICK REINFOCED CONCRETE.