

Dammon Engineering Inc.

1095 Florida Ave.
Slidell, LA 70458
(985) 649-5832
Fax: (985) 641-5950

MEMORANDUM OF TRANSMITTAL

TO: Natco Project: Towers Date: 10.23.08

RECEIVED BY (signature):

FROM: Dammon Engineering, Inc.

SUBJECT: Shop Drawings

Brief description of documents/materials transmitted:

Plumbing Fixtures - Revise & Resubmit

- Need electric water cooler.

DAMMON ENGINEERING INC

Date: 10.23.08 Project: Towers
Reviewed: _____
Reviewed as Noted: _____
Revise and Resubmit: X
Rejected: _____
Other: _____

Corrections or comments made on the shop drawings during this review do not relieve the contractor from compliance with requirements of the drawings and specifications. This check is only for review of the general conformance with the design concept of the project and general compliance with the information given in the contract documents. This contractor is responsible for: confirming and correlating all quantities and dimensions; selecting fabrication processes and techniques of construction; coordinating his or her work with that of all other trades and performing all in a safe and satisfactory manner.

Submittal Item: Plumbing Fixtures
Comments

No wall hang lavs.



DECLYN™
WALL-HUNG LAVATORY
VITREOUS CHINA

DECLYN WALL-HUNG LAVATORY

- Vitreous china
- Rear overflow
- Soap depression
- Faucet ledge.
Shown with 2000.101 Ceramix faucet (not included)

0321.026 With wall hanger (Illustrated)
Faucet holes on 102mm (4") centers

0321.075 For concealed arms support
Faucet holes on 102mm (4") centers

Nominal Dimensions:
483 x 432mm
(19" x 17")

Bowl sizes:
362mm (14-1/4") wide,
273mm (10-3/4") front to back,
152mm (6") deep

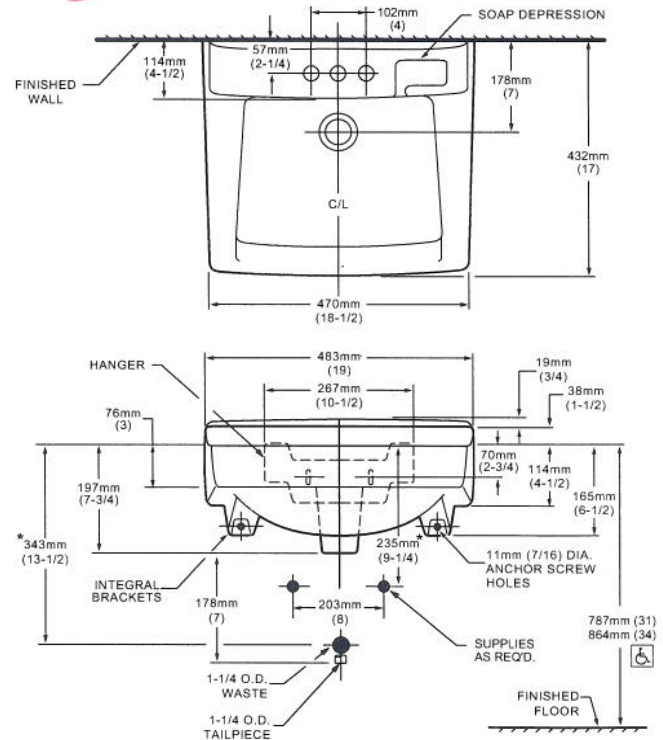
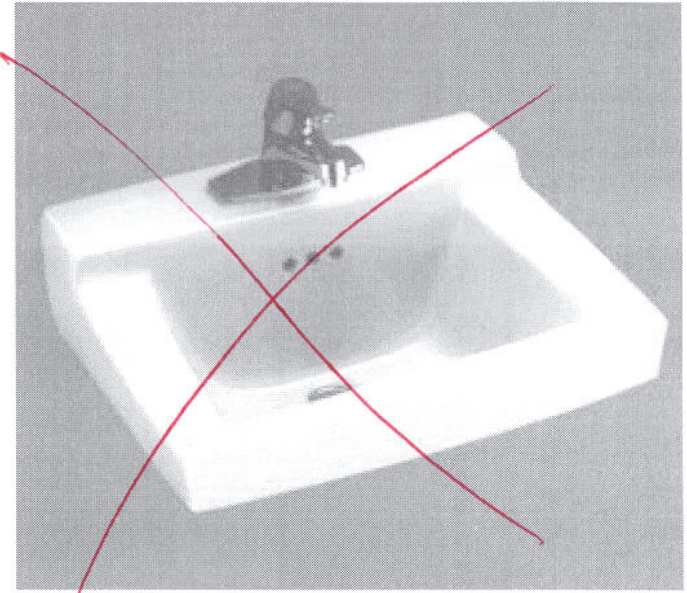
Fixture Dimensions conform to ANSI Standard A112.19.2

- To Be Specified
- Color:
 - Faucet*:
 - Faucet Finish:
 - Supplies:
 - 1-1/4" Trap:
 - Nipple:
 - Concealed Arms Support (by others):

* See faucet section for additional models available

● Top of front rim mounted 864mm (34") maximum from finished floor.
MEETS THE AMERICAN DISABILITIES ACT GUIDELINES AND ANSI A117.1 REQUIREMENTS FOR PEOPLE WITH DISABILITIES

Vanity/Lav. to be integral cultured marble.

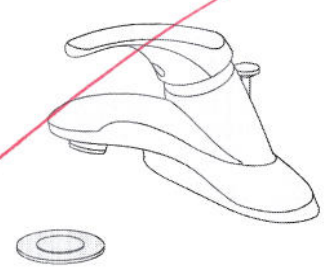


NOTES:
* DIMENSIONS SHOWN FOR LOCATION OF SUPPLIES AND "P" TRAP ARE SUGGESTED. PROVIDE SUITABLE REINFORCEMENT FOR ALL WALL SUPPORTS. FITTINGS NOT INCLUDED AND MUST BE ORDERED SEPARATELY.
IMPORTANT: Dimensions of fixtures are nominal and may vary within the range of tolerances established by ANSI Standard A112.19.2.
These measurements are subject to change or cancellation. No responsibility is assumed for use of superseded or voided pages.



SYMMETRIX Lavatory Faucet, S-20 Series

Specification Submittal

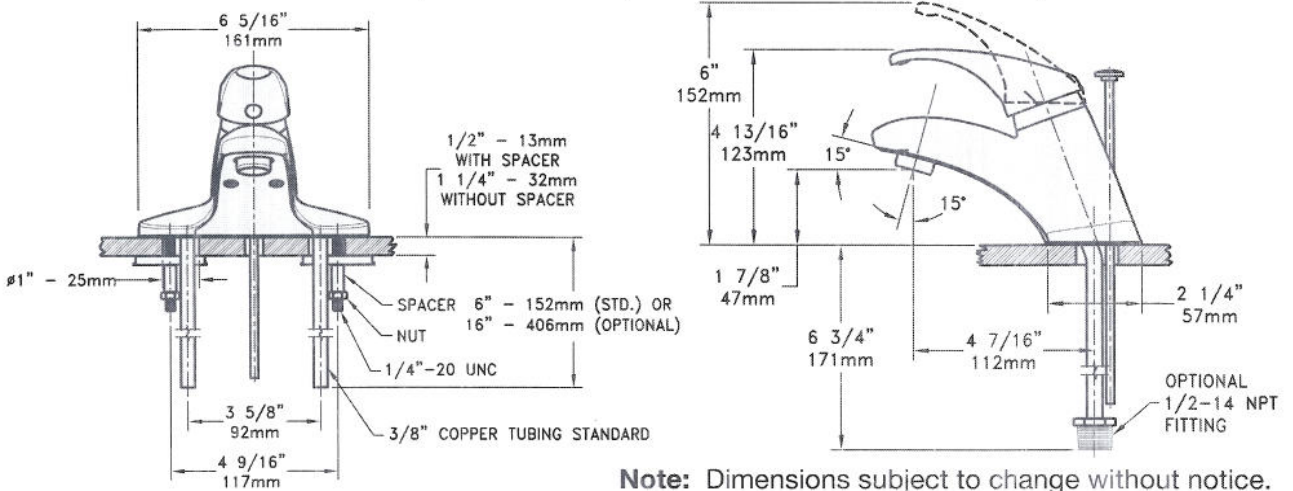


Feature Highlights

- Single lever faucet with red & blue indicators on handle
- Handle limits stops
- Aerator, 2.2 gpm flow rate (8.3 L/min)
- Ceramic control components
- Supply: 6 inches of 3/8 inch copper tubing, 4 inch (102mm) centers
- Metal construction, polished chrome finish

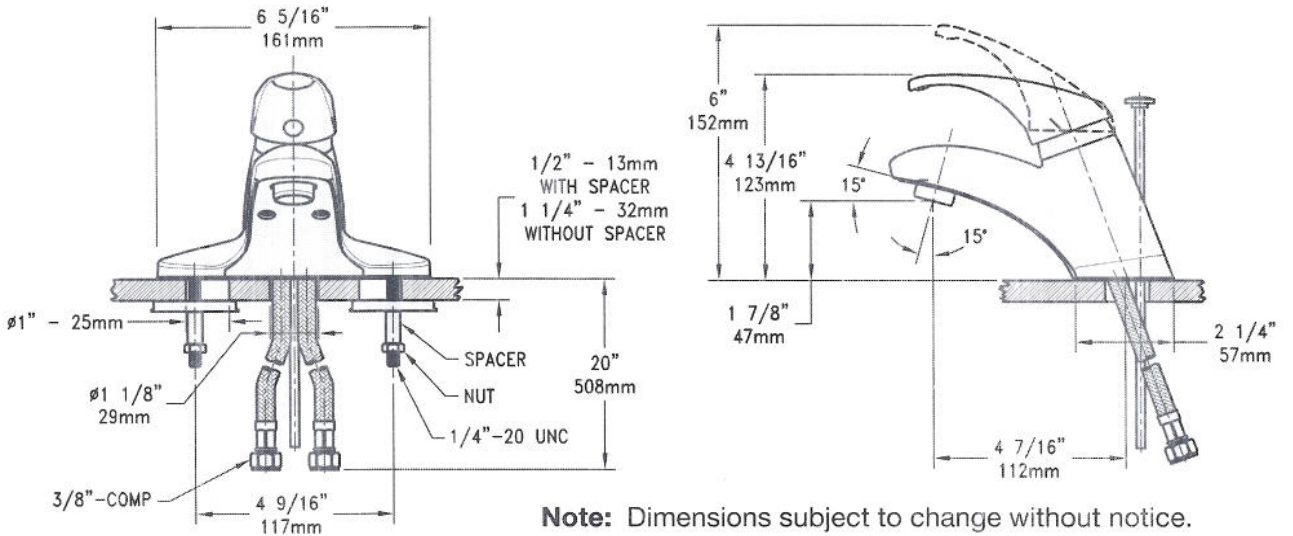
S-20 series handle options			
Standard	LP	W	LCT
<p>Ordering Information</p> <p>Model Numbers Append appropriate -suffix to model number.</p> <ul style="list-style-type: none"> <input type="checkbox"/> S-20 Faucet only with lift rod hole <input type="checkbox"/> S-20-0 Faucet only with no lift rod hole <input type="checkbox"/> S-20-1 Faucet with lift rod <input type="checkbox"/> S-20-2 Faucet with pop-up drain & lift rod <input type="checkbox"/> S-20-2-G Faucet with grid strainer drain <p>Finish Options Append appropriate -suffix to model number.</p> <ul style="list-style-type: none"> <input type="checkbox"/> BRS Radiance® polished brass finish* <input type="checkbox"/> PCB Polished chrome and Radiance® polished brass finish* <input type="checkbox"/> STN Radiance® satin finish* <p>*Note (1) Handles with red/blue indicators are not available with decorative finishes. (2) Handles may not be available in all decorative finishes.</p>		<p>Handle Options Append appropriate -suffix to model number.</p> <ul style="list-style-type: none"> <input type="checkbox"/> LP Loop handle with metal finish <input type="checkbox"/> LCT Acrylic handle <input type="checkbox"/> W Lever handle with metal finish, 6 inch (152mm) handle with red & blue indicators on handle <p>Other Options Append appropriate -suffix to model number.</p> <ul style="list-style-type: none"> <input type="checkbox"/> LST Supply with 16 inches of copper tubing <input type="checkbox"/> BH 20 inch braided supply hose instead of copper tubing <input type="checkbox"/> IPS 1/2 inch IPS connections <input type="checkbox"/> OFG Offset grid strainer <input type="checkbox"/> FR 5 gpm flow restrictor (vandle resistant) <input type="checkbox"/> VP Vandal resistant aerator <input type="checkbox"/> NA Non-aerated , laminar flow outlet 	

Dimensions SYMMETRIX Lavatory Faucet, S-20-2 (with standard handle & copper tubing)



Note: Dimensions subject to change without notice.

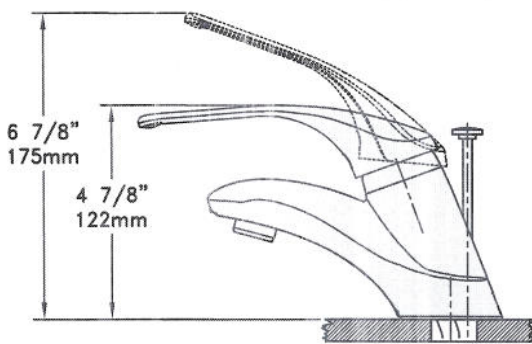
Dimensions SYMMETRIX Lavatory Faucet, S-20-2-BH (with standard handle and braided supply hose)



Note: Dimensions subject to change without notice.

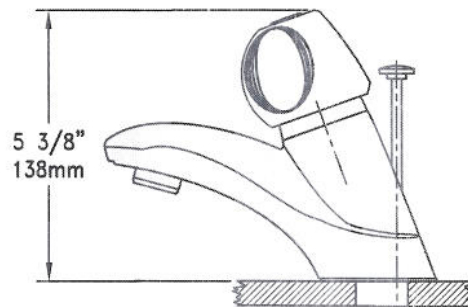
Dimensions

S-20 Series with 6 inch lever handle (option W)



Dimensions

S-20 Series with acrylic handle (option LCT)

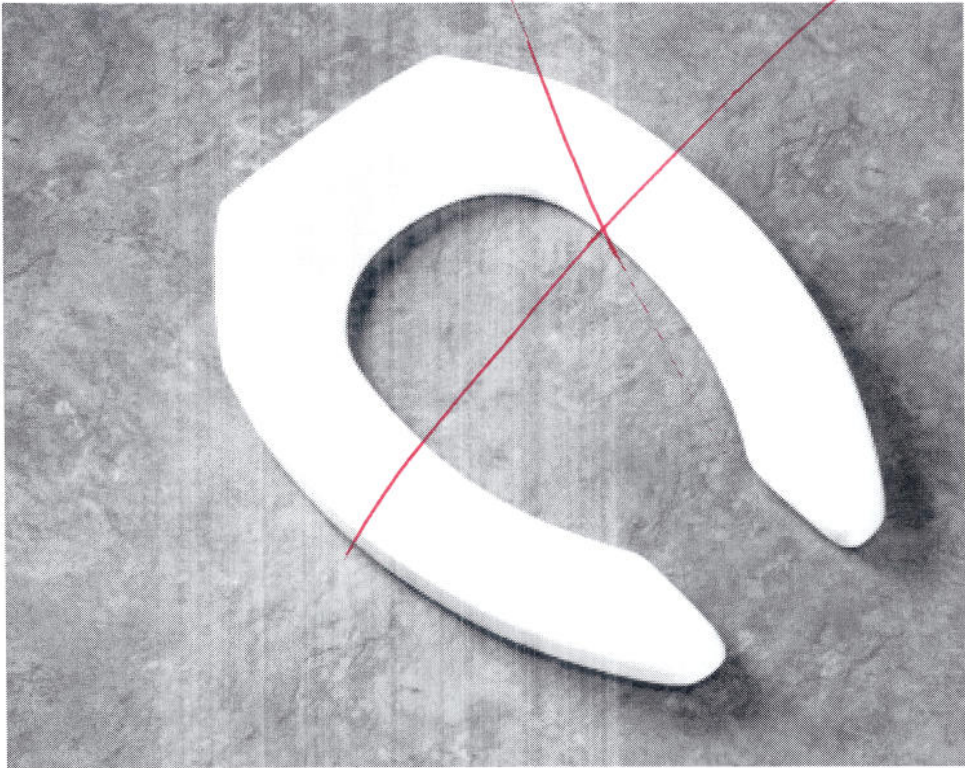


Symmons Industries, Inc. ■ 31 Brooks Drive ■ Braintree, MA 02184
 (800) 796-6667, (781) 848-2250 ■ Fax (800) 961-9621, (781) 843-3849
 Website: www.symmons.com ■ Email: customerservice@symmons.com

Symmons®



COMMERCIAL PLASTIC SEATS

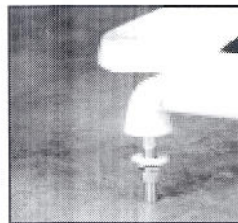
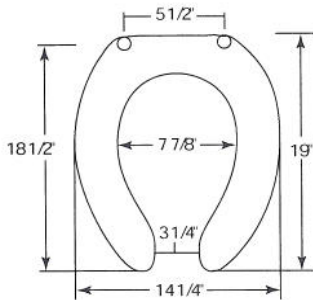


1955C

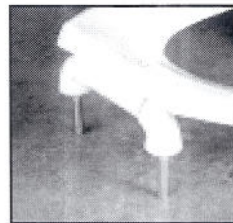
Seats shall be No. _____ as manufactured by Bemis Manufacturing Co. Seats shall be heavy weight and injection-molded of solid plastic. Seats shall be open front less cover for elongated bowl and feature large molded-in bumpers. External check hinges to feature 300 Series stainless steel posts that stop seat 11 degrees beyond vertical. Uses 300 Series stainless steel hardware. Color to be _____. (specify white or fixture manufacturer's color.) Hinges shall be _____.

1955C Open front less cover/external check hinge stops seat 11° beyond vertical

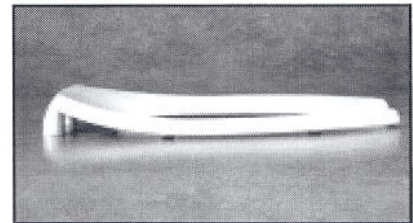
1955SSC Open front seat less cover/stainless steel self-sustaining and external check hinge holds seat in any raised position up to 11° beyond vertical



EXTERNAL CHECK HINGES WITH 300SERIES STAINLESS STEEL POST



EXTERNAL CHECK HINGE



1955C PROFILE

Ring thickness is 1"
Ring thickness including the bumper is 1-3/16"

American Standard



BARRIER FREE

CADET™ ADA 16-1/2" H 10" ROUGH-IN ELONGATED TOILET

VITREOUS CHINA

CADET™ ADA 16-1/2" H 10" ROUGH-IN ELONGATED TOILET

□ 2998.010

- Vitreous china
- Low-consumption (6.0 Lpf/1.6 gpf)
- 16-1/2" rim height for accessible and elderly applications
- 10" roughing-in
- Elongated siphon action jetted bowl
- Fully glazed 2" **Ballpass** trapway
- Large 11" x 9" water surface area
- Smart Valve 2000 Fill Valve for quiet refill
- Close-coupled tank with raised lip detail on tank cover
- Color-matched trip lever
- Speed Connect™ tank/bowl coupling system
- Sanitary bar on bowl
- 2 bolt caps
- 100% factory flush tested

□ 3417.016 Bowl

□ 4110.016 Tank

Nominal Dimensions:

705 x 495 x 813mm (27-3/4" x 19-1/2" x 32")

Fixture only, seat and supply by others

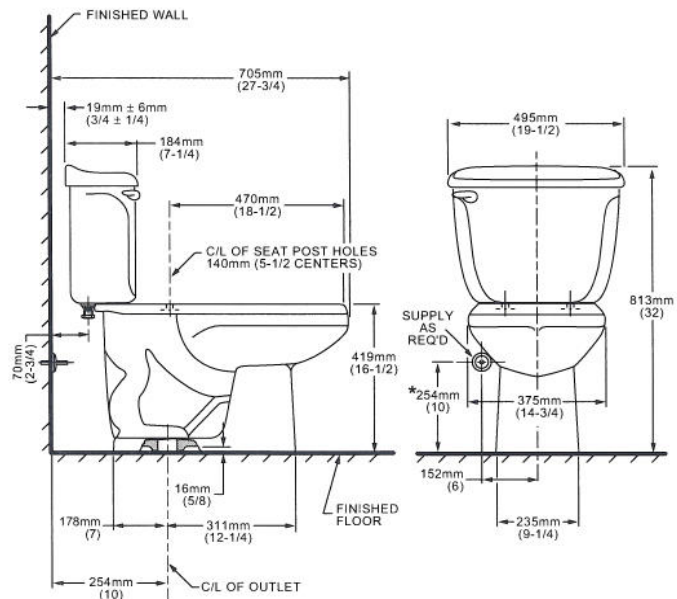
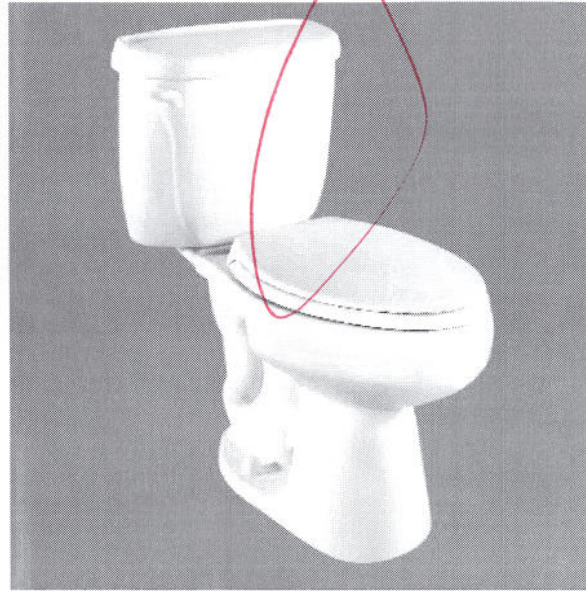
Compliance Certifications -

Meets or Exceeds the Following Specifications:

- ASME A112.19.2M (and 19.6M) for Vitreous China Fixtures - includes Flush Performance, Ball Pass Diameter, Trap Seal Depth and all Dimensions

To Be Specified

- Color:
- Seat: American Standard #5324.019 "Rise and Shine" (with easy to clean lift-off hinge system) solid plastic closed front seat with cover. See page TB-001.
- Seat: American Standard #5311.012 "Laurel" molded closed front seat with cover. See page TB-001.
- Alternate Seat:
- Supply with stop:



NOTES:

THIS TOILET IS DESIGNED TO ROUGH-IN AT A MINIMUM DIMENSION OF 254mm (10") FROM FINISHED WALL TO C/L OF OUTLET.

SUPPLY NOT INCLUDED WITH FIXTURE AND MUST BE ORDERED SEPARATELY.

* DIMENSION SHOWN FOR LOCATION OF SUPPLY IS SUGGESTED.

IMPORTANT: Dimensions of fixtures are nominal and may vary within the range of tolerances established by ANSI Standard A112.19.2.

These measurements are subject to change or cancellation. No responsibility is assumed for use of superseded or voided pages.



● When installed so top of seat is 432 to 483mm (17" to 19") from the finished floor.

MEETS THE AMERICAN DISABILITIES ACT GUIDELINES AND ANSI A117.1 REQUIREMENTS FOR ACCESSIBLE AND USEABLE BUILDING FACILITIES-CHECK LOCAL CODES.

American Standard



BARRIER FREE

CADET™ ADA 16-1/2" H ELONGATED TOILET

VITREOUS CHINA

CADET™ ADA 16-1/2" H ELONGATED TOILET

2998.012

- Vitreous china
- Low-consumption (6.0 Lpf/1.6 gpf)
- 16-1/2" rim height for accessible and elderly applications
- Elongated siphon action jetted bowl
- Fully glazed 2" **Ballpass** trapway
- Large 11" x 9" water surface area
- Smart Valve 2000 Fill Valve for quiet refill
- Close-coupled tank with raised lip detail on tank cover
- Color-matched trip lever
- Speed Connect™ tank/bowl coupling system
- Sanitary bar on bowl
- 2 bolt caps
- 100% factory flush tested

3417.016 Bowl

4112.016 Tank

2998.164 with Slotted Rim for Bedpan holding

3417.164 Bowl

4112.016 Tank

Alternate Tank Configurations Available:

- 4112.800 Tank complete w/Trip Lever
Located on Right Side

Nominal Dimensions:
756 x 495 x 813mm (29-3/4" x 19-1/2" x 32")
Fixture only, seat and supply by others

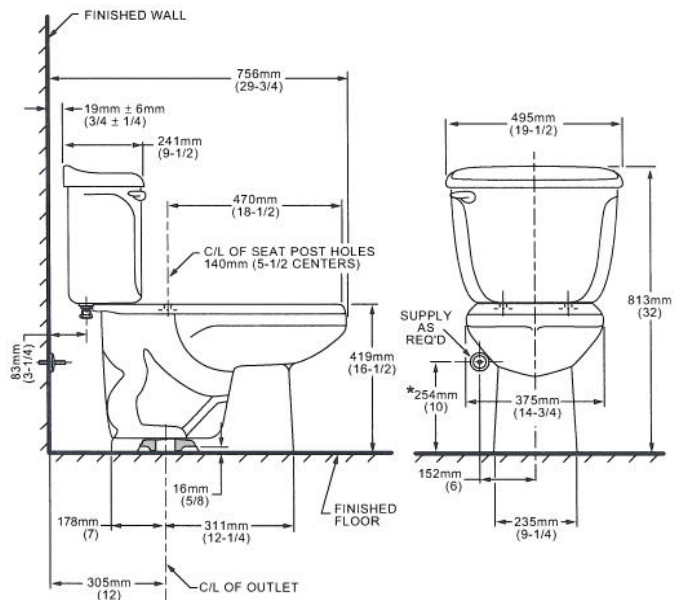
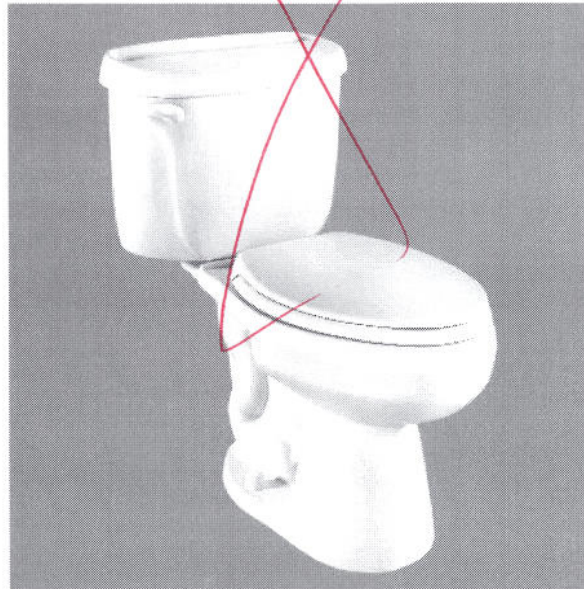
Compliance Certifications -

Meets or Exceeds the Following Specifications:

- ASME A112.19.2M (and 19.6M) for Vitreous China Fixtures - includes Flush Performance, Ball Pass Diameter, Trap Seal Depth and all Dimensions

To Be Specified

- Color:
- Seat: American Standard #5324.019 "Rise and Shine" (with easy to clean lift-off hinge system) solid plastic closed front seat with cover. See page TB-001.
- Seat: American Standard #5311.012 "Laurel" molded closed front seat with cover. See page TB-001.
- Alternate Seat:
- Supply with stop:



NOTES:

THIS TOILET IS DESIGNED TO ROUGH-IN AT A MINIMUM DIMENSION OF 305MM (12") FROM FINISHED WALL TO C/L OF OUTLET.

SUPPLY NOT INCLUDED WITH FIXTURE AND MUST BE ORDERED SEPARATELY.

* DIMENSION SHOWN FOR LOCATION OF SUPPLY IS SUGGESTED.

IMPORTANT: Dimensions of fixtures are nominal and may vary within the range of tolerances established by ANSI Standard A112.19.2.

These measurements are subject to change or cancellation. No responsibility is assumed for use of superseded or voided pages.



● When installed so top of seat is 432 to 483mm (17" to 19") from the finished floor.

MEETS THE AMERICAN DISABILITIES ACT GUIDELINES AND ANSI A117.1 REQUIREMENTS FOR ACCESSIBLE AND USEABLE BUILDING FACILITIES-CHECK LOCAL CODES.

SPS 2998.012

American Standard

 **BARRIER FREE**

CADET™ ADA 16-1/2" H 14" ROUGH-IN ELONGATED TOILET

VITREOUS CHINA

CADET™ ADA 16-1/2" H 14" ROUGH-IN ELONGATED TOILET

2998.014

- Vitreous china
- Low-consumption (6.0 Lpf/1.6 gpf)
- 16-1/2" rim height for accessible and elderly applications
- 14" roughing-in
- Elongated siphon action jetted bowl
- Fully glazed 2" **Ballpass** trapway
- Large 11" x 9" water surface area
- Smart Valve 2000 Fill Valve for quiet refill
- Close-coupled tank with raised lip detail on tank cover
- Color-matched trip lever
- Speed Connect™ tank/bowl coupling system
- Sanitary bar on bowl
- 2 bolt caps
- 100% factory flush tested

3417.016 Bowl

4114.016 Tank

Nominal Dimensions:

806 x 495 x 813mm (31-3/4" x 19-1/2" x 32")
Fixture only, seat and supply by others

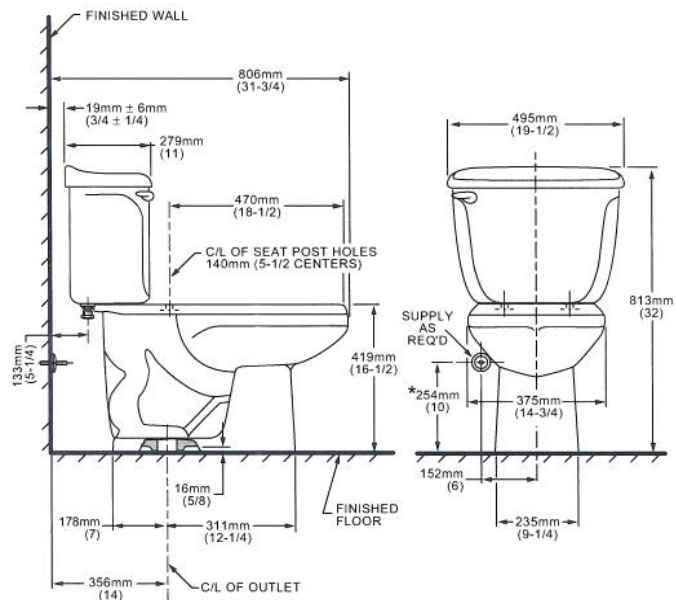
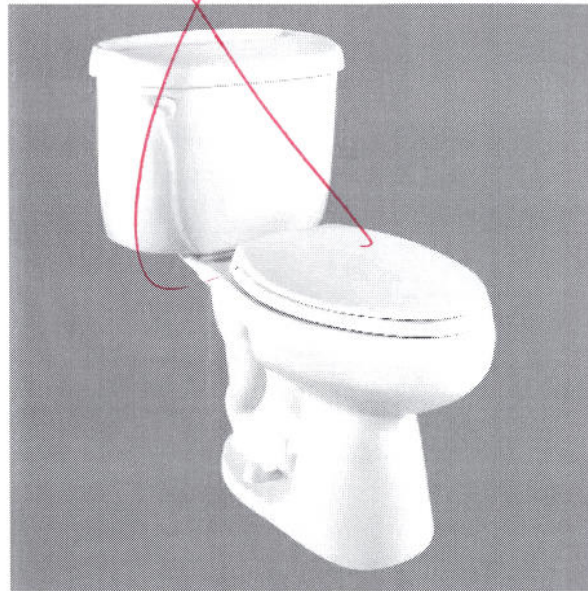
Compliance Certifications -

Meets or Exceeds the Following Specifications:

- ASME A112.19.2M (and 19.6M) for Vitreous China Fixtures - includes Flush Performance, Ball Pass Diameter, Trap Seal Depth and all Dimensions

To Be Specified

- Color:
- Seat: American Standard #5324.019 "Rise and Shine" (with easy to clean lift-off hinge system) solid plastic closed front seat with cover. See page TB-001.
- Seat: American Standard #5311.012 "Laurel" molded closed front seat with cover. See page TB-001.
- Alternate Seat:
- Supply with stop:



NOTES:

THIS TOILET IS DESIGNED TO ROUGH-IN AT A MINIMUM DIMENSION OF 356mm (14") FROM FINISHED WALL TO C/L OF OUTLET.
SUPPLY NOT INCLUDED WITH FIXTURE AND MUST BE ORDERED SEPARATELY.
* DIMENSION SHOWN FOR LOCATION OF SUPPLY IS SUGGESTED.
IMPORTANT: Dimensions of fixtures are nominal and may vary within the range of tolerances established by ANSI Standard A112.19.2.
These measurements are subject to change or cancellation. No responsibility is assumed for use of superseded or voided pages.



● When installed so top of seat is 432 to 483mm (17" to 19") from the finished floor.
MEETS THE AMERICAN DISABILITIES ACT GUIDELINES AND ANSI A117.1 REQUIREMENTS FOR ACCESSIBLE AND USEABLE BUILDING FACILITIES. CHECK LOCAL CODES.

SPS 2998.014